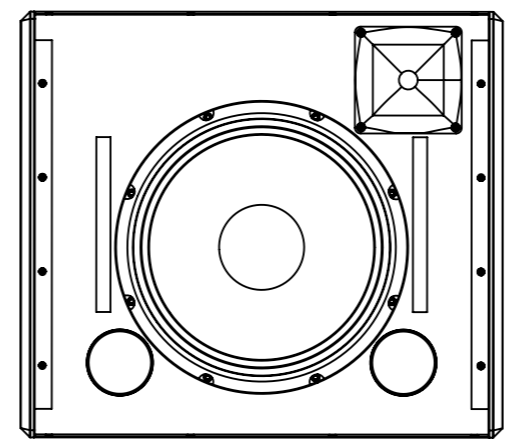
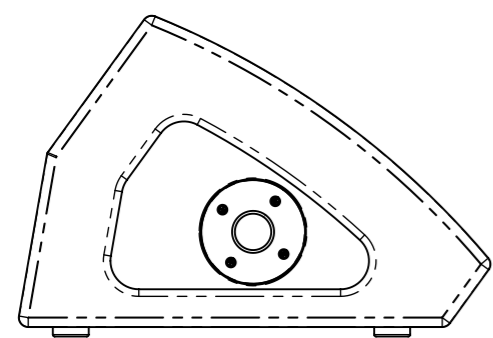
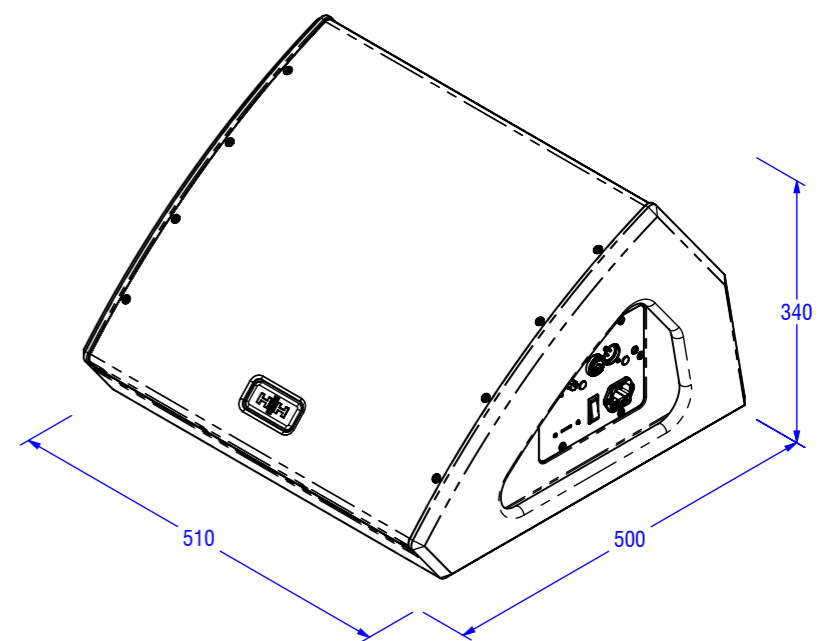


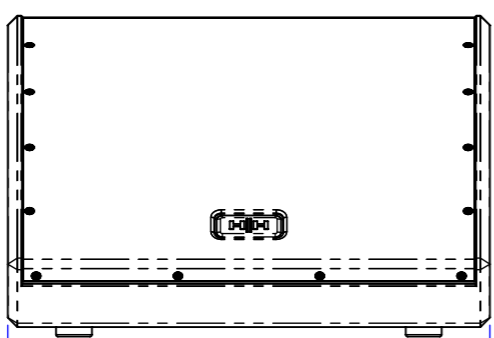
TOP



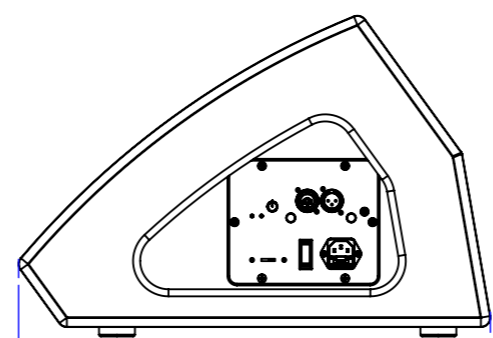
TOP - BAFFLE



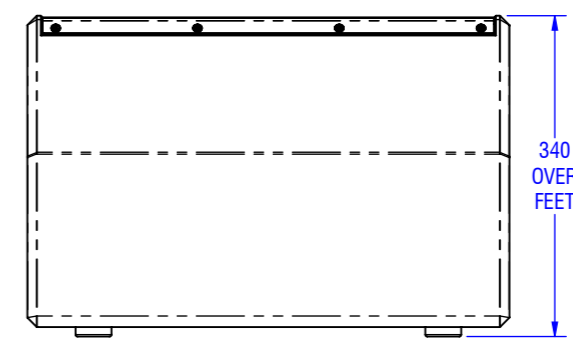
LEFT



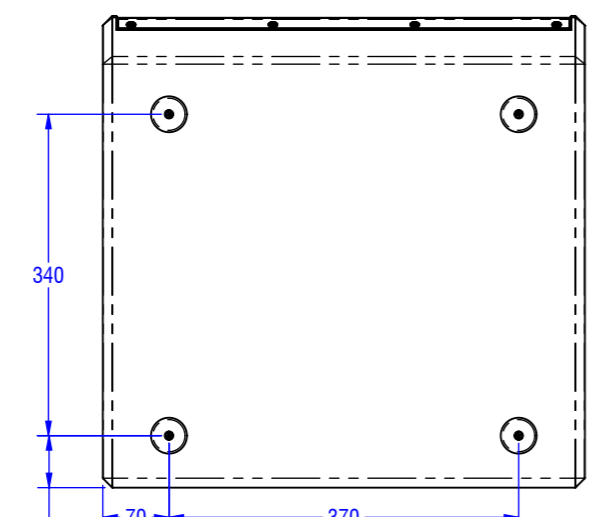
FRONT



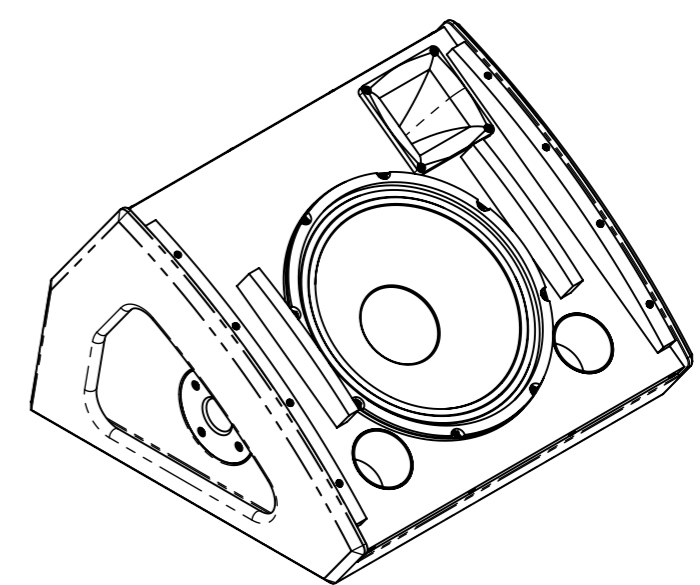
RIGHT



REAR



BASE



HH ELECTRONICS LTD
 STEELPARK ROAD, COOMBS WOOD BUSINESS PARK,
 HALESOWEN, WEST MIDLANDS, B62 8HD, UK
 WWW.HHELECTRONICS.CO.UK

DESCRIPTION: FULL ASSEMBLY	PROJECT TITLE: TRM-1201	DWG NO. MCA015214	REVISION: 1
STATE: RELEASED	REFER TO 3D MODEL FOR FULL DIMENSIONAL DATA	DATE: 20/06/2022	RELEASED BY: TB
UNLESS OTHERWISE STATED: ALL DIMENSIONS ARE IN MILLIMETERS (mm) LINEAR TOLERANCE ± 0.5 ANGULAR TOLERANCE $\pm 1.0^\circ$	THIS DRAWING REMAINS THE PROPERTY OF HH ELECTRONICS LIMITED. THIS DRAWING, HARD COPY OR DIGITAL, AND ANY ATTACHMENTS ARE CONFIDENTIAL, LEGALLY PRIVILEGED AND PROTECTED BY COPYRIGHT.	SCALE: 1:8	SHEET SIZE: A3
			SHEET: 1/1