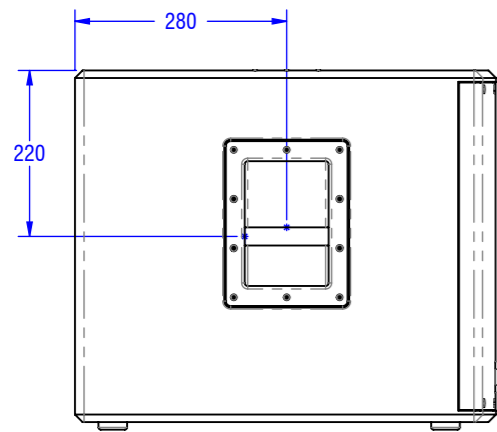
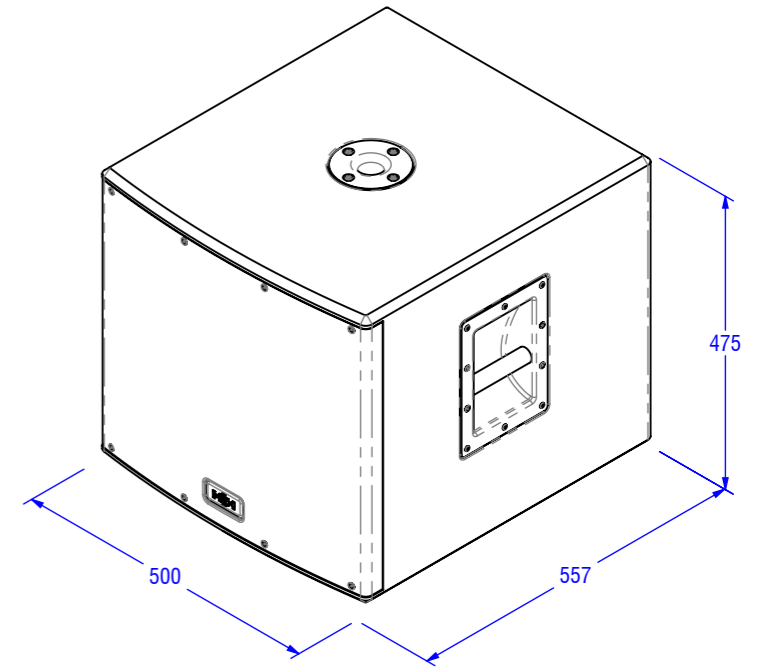
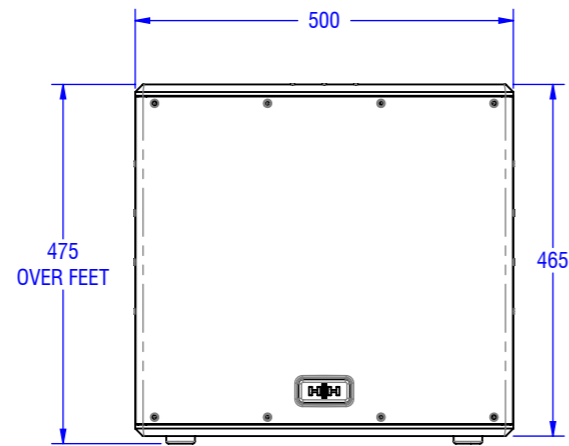


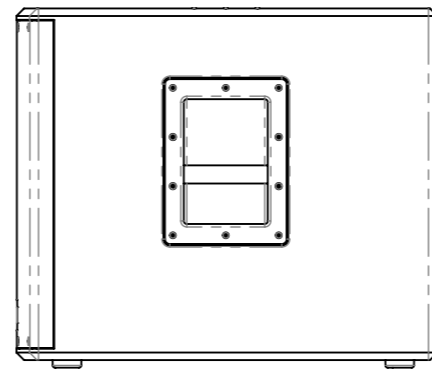
TOP



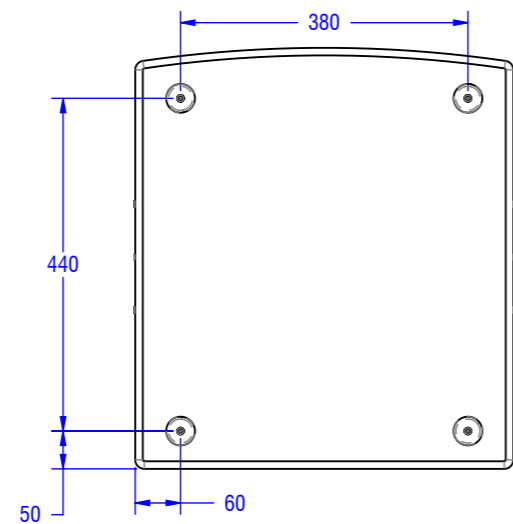
LEFT



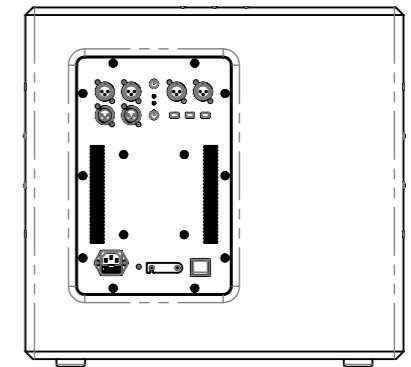
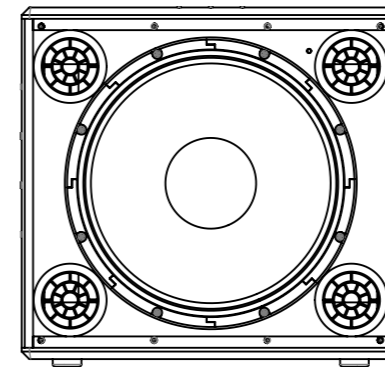
FRONT



RIGHT



BASE



DESCRIPTION:
TRS-1500

STATE:
CUSTOMER INFORMATION



UNLESS OTHERWISE STATED:
ALL DIMENSIONS ARE IN MILLIMETERS (mm)
LINEAR TOLERANCE ± 0.5 ANGULAR TOLERANCE $\pm 1.0^\circ$

PROJECT TITLE:
ACTIVE SUBWOOFERS

DRAWINGS SUPPLIED FOR
REFERENCE ONLY

THIS DRAWING REMAINS THE PROPERTY OF HH ELECTRONICS LIMITED.
THIS DRAWING, HARD COPY OR DIGITAL, AND ANY ATTACHMENTS ARE
CONFIDENTIAL, LEGALLY PRIVILEGED AND PROTECTED BY COPYRIGHT.

DWG NO.
14672

DATE:
31/03/2020

SCALE:
1:10

REVISION:
A.00

RELEASED BY:
TB

SHEET SIZE:
A3

SHEET:
1/1