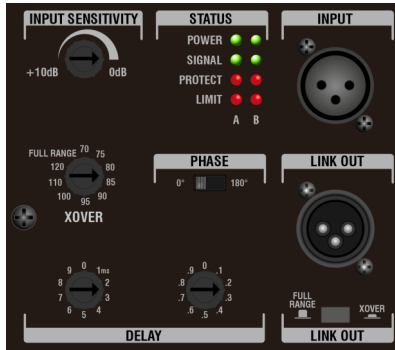


## TNA-2800SA

### FEATURES

- High performance dual 18 inch active subwoofer
- High power Class-D amplifier
- Universal switched mode supply and global mains operation
- Adjustable input sensitivity, crossover and delay settings
- Balanced XLR output with switchable full-range and crossover modes
- 4pcs Heavy duty 100mm PU castors included



USER CONTROL FUNCTIONS

### APPLICATIONS

- Bars And Clubs
- Live Sound Reinforcement
- Ballrooms
- Conference / Speech
- Worship
- Corporate AV events

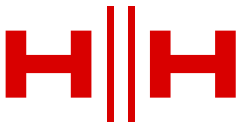
The TNA-2800SA Active subwoofer features two HH designed 18" low frequency woofers with exceptionally high output. Equipped with integrated rigging hardware, the TNA-2800SA can be installed quickly and easily. The TNA-2800SA offers a max SPL of 144 dB and offers a frequency response as low as 32Hz. The TNA-2800SA offers an ideal venue installation or point source solution. Ideal for bars, clubs, venues, schools, sports, gyms, hotels and more.

### SPECIFICATIONS

Model	TNA-2800SA
System Type	Dual 18" Active Subwoofer, Direct Radiating, Bass Reflex
Frequency Response <sup>2</sup>	32Hz - 100Hz (-10dB) 37Hz - 100Hz (-3dB)
LF Driver	2x18" High sensitivity HH designed driver. 4" Voice Coil
Max SPL 1m <sup>3</sup>	144
Crossover	Active - 70Hz to 120Hz
<b>Amplifier</b>	
Power Rating	8000W Peak, 4000W Continuous, 2000W RMS
Input Sensitivity	0dBu to +10dBu Adjustable
Maximum Analogue Input Level	+21dBu
Input Connector	Balanced Female XLR
Output Connector	Balanced Male XLR (Switchable Full Range/Xover)
Signal Indicators	Power, Signal Present, Clip Indicator, Protect
Controls	Input sensitivity, Crossover frequency, Phase Switch, Variable Delay (0>9.9mS)
AC Power	~100V-240V 50/60Hz
AC Power Consumption	700W Typical, 1500W Max
AC Power Inlet	Twist Lock Power Socket. (Plug included, to be wired by installer)
<b>Enclosure</b>	
Cabinet	Acoustically optimised 18mm plywood cabinet with extensive internal bracing
Finish	Painted Black (White finish optional, subject to MOQ)
Mounting Points	8x M10 Penn Elcom tie down/flying points. 16x M8 inserts for included transport wheels
Grille	1.5mm Thickness Steel, Hexagonal mesh, acoustic foam lined
Transport Wheels	4pcs Heavy duty 100mm PU castors included in the box
Unit dimensions (HWD)	562 x 1080 x 685mm, (22.1" x 42.5" x 27")
Unit weight	77.7Kg, 171 lbs
Carton dimensions (HWD)	700 x 1280 x 815mm, (27.6" x 50.4" x 32.1"), (0.73 M3)
Packed weight	91Kg, 201 lbs
EAN13	5060109458350

1 AES standard Pink Noise 12dB crest factor 2 hours  
 2 Measured in Half space (2π) conditions  
 3 Calculated maximum SPL based on rated power handling



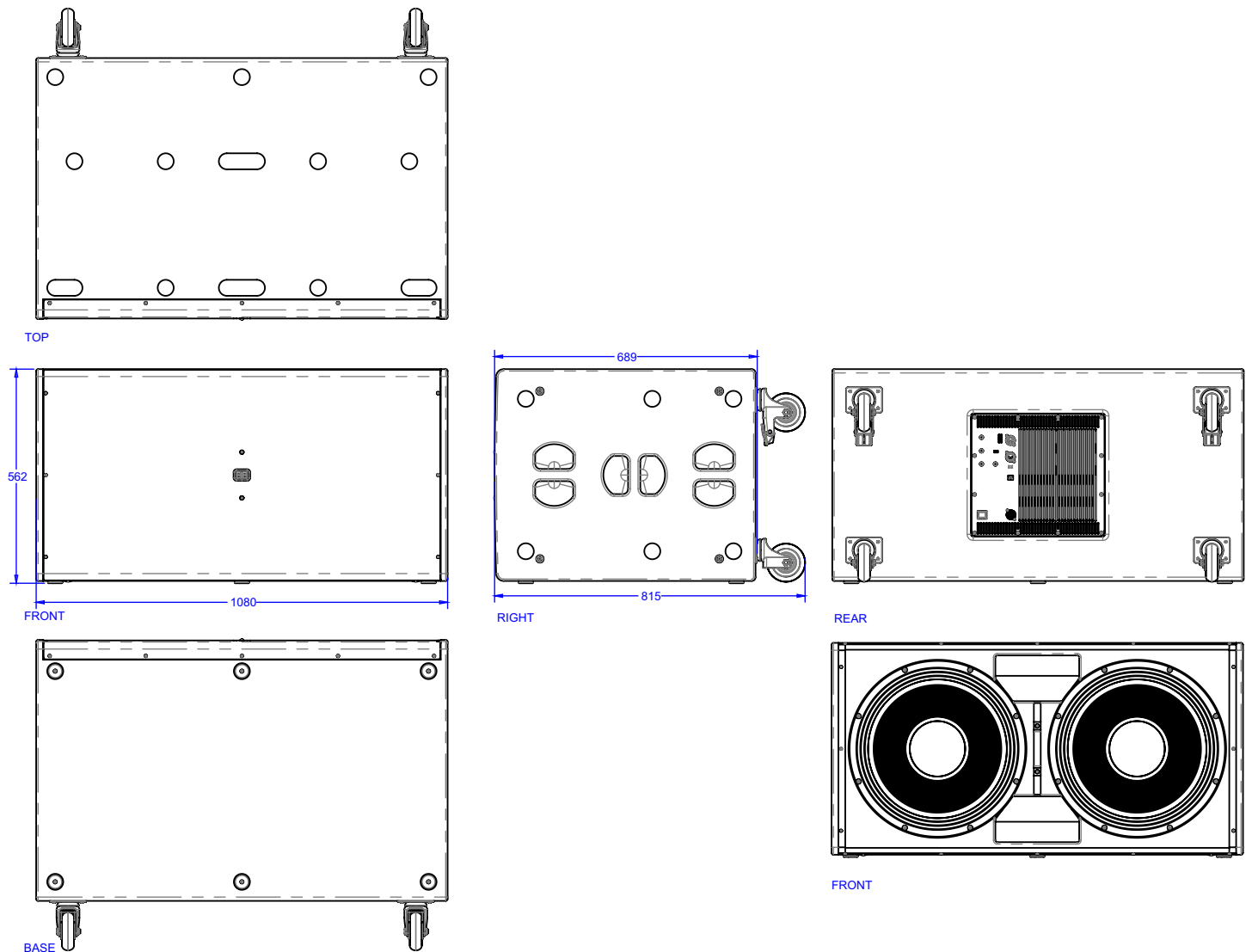
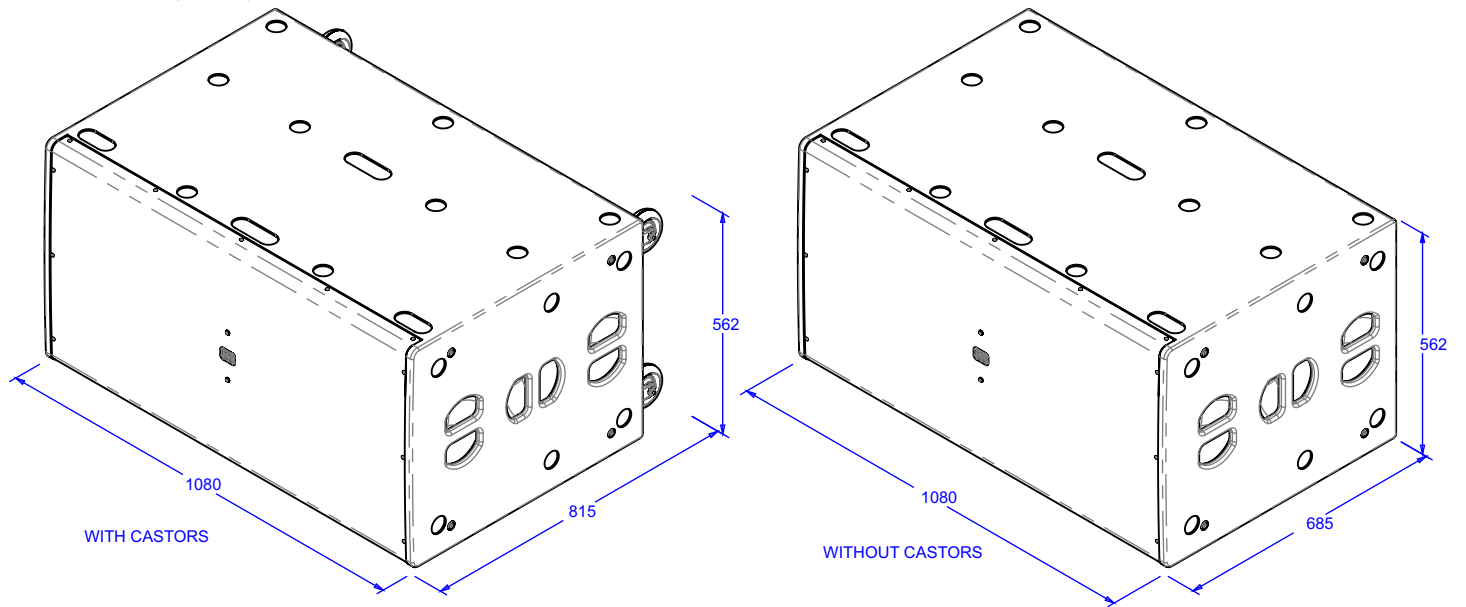


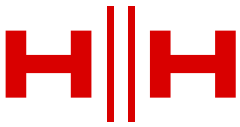
TNA ACTIVE SUBWOOFER

**T E S S E N**

LIVE SOUND & INSTALLATION

DIMENSIONS (in mm)



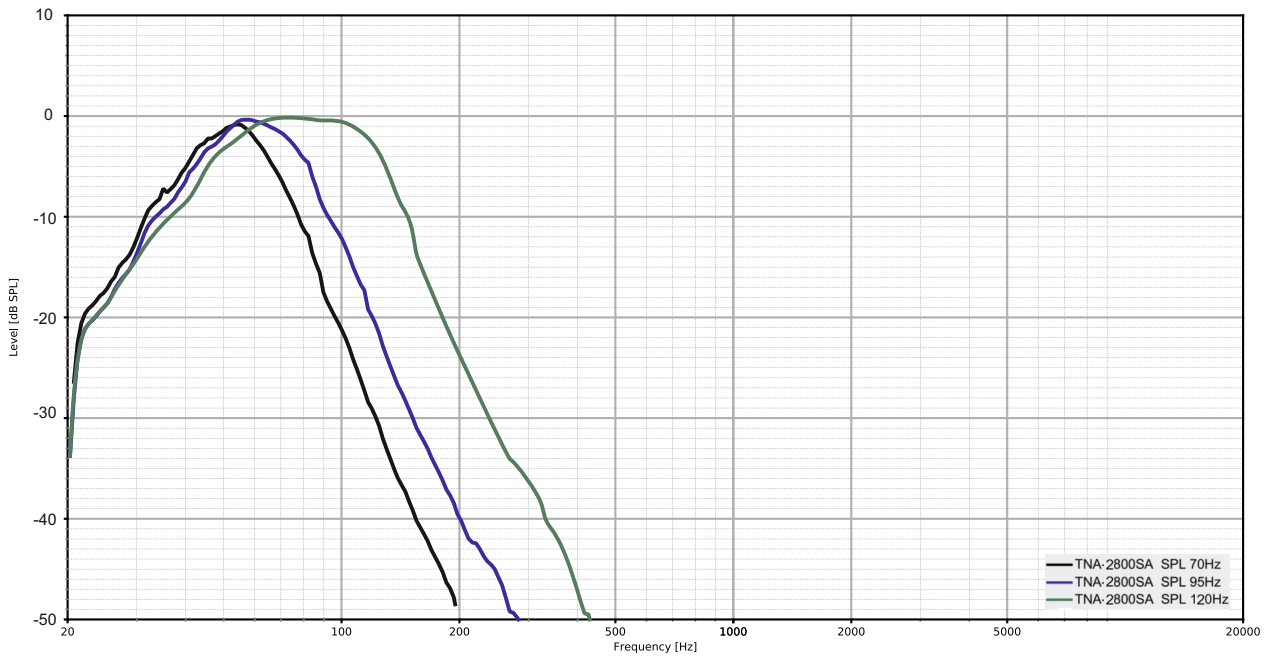


TNA ACTIVE SUBWOOFER

**T E S S E N**

LIVE SOUND & INSTALLATION

### FREQUENCY RESPONSE



### REAR WITH CASTORS FITTED

