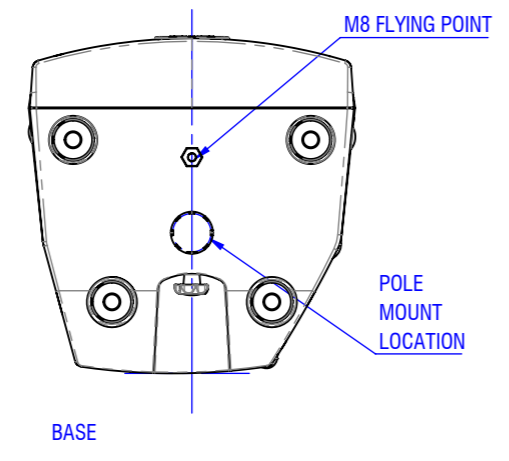
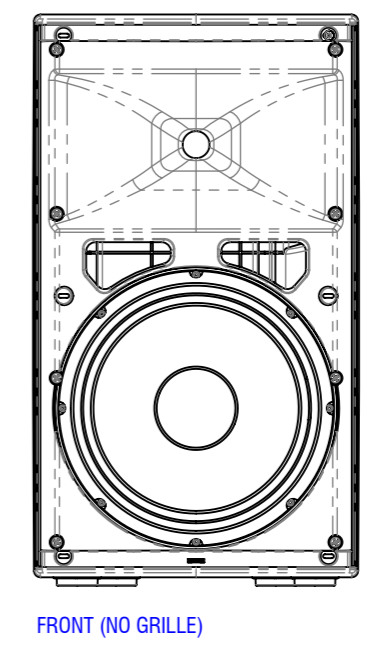
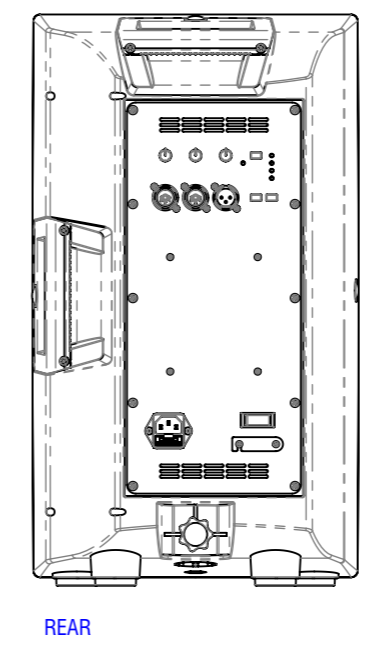
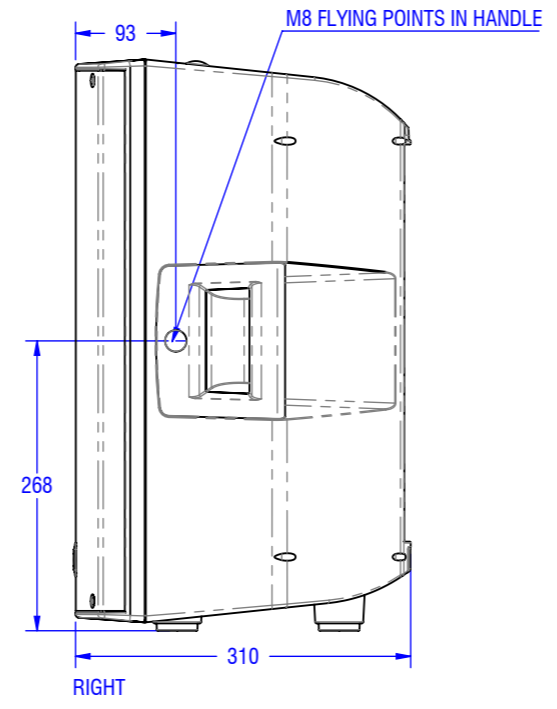
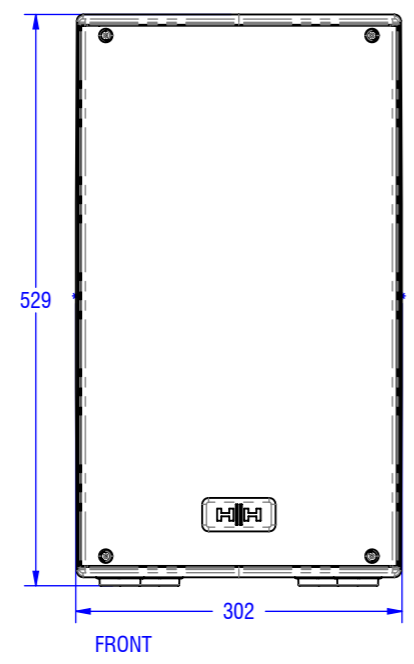
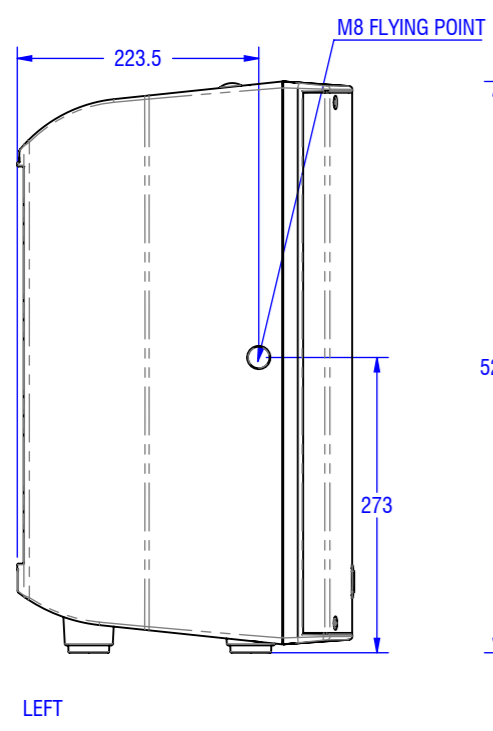
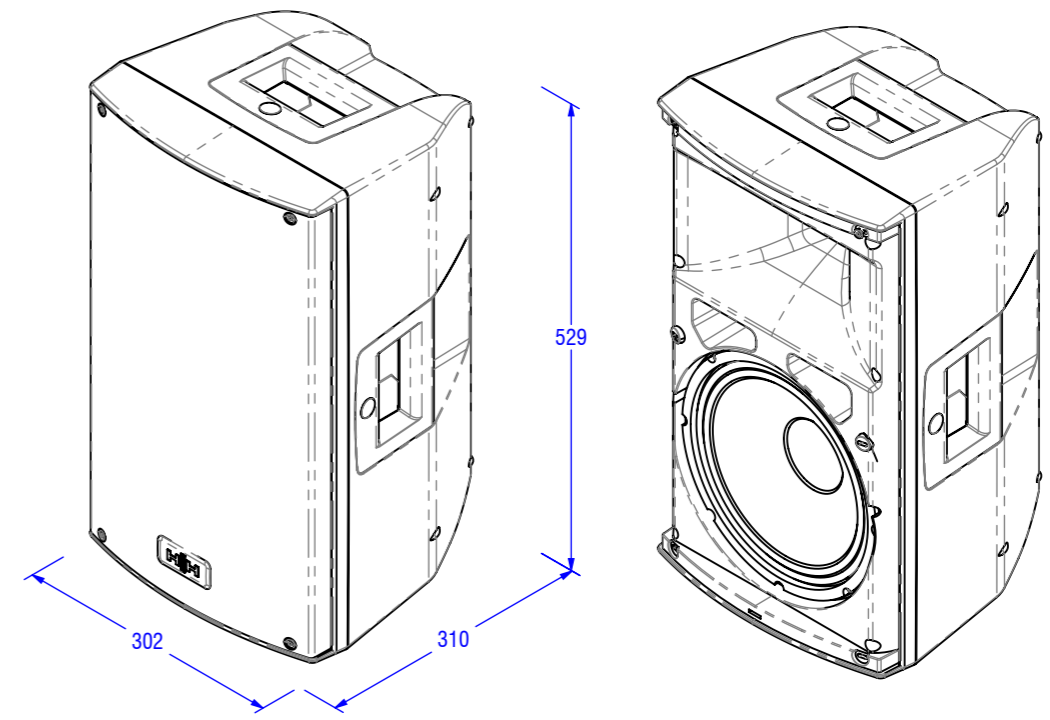
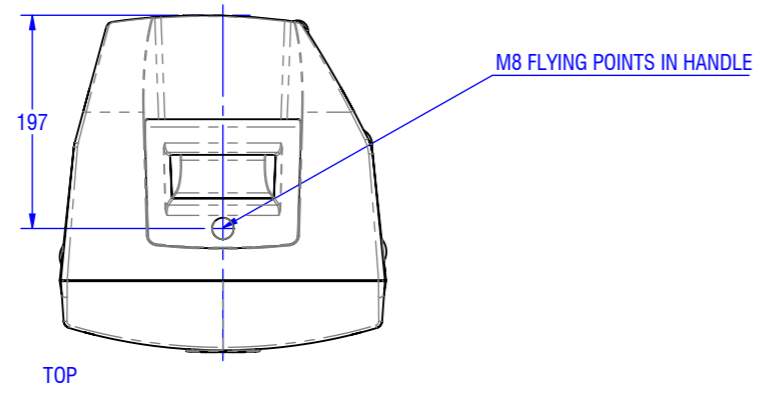


1 2 3 4 5 6 7 8

A
B
C
D
E
F



DESCRIPTION:
TRE-1001

STATE:
CUSTOMER INFORMATION

UNLESS OTHERWISE STATED:
ALL DIMENSIONS ARE IN MILLIMETERS (mm)
LINEAR TOLERANCE ± 0.5 ANGULAR TOLERANCE $\pm 1.0^\circ$

PROJECT TITLE:
FULL RANGE ACTIVE SPEAKER SYSTEM

DRAWINGS SUPPLIED FOR
REFERENCE ONLY

THIS DRAWING REMAINS THE PROPERTY OF HH ELECTRONICS LIMITED.
THIS DRAWING, HARD COPY OR DIGITAL, AND ANY ATTACHMENTS ARE
CONFIDENTIAL, LEGALLY PRIVILEGED AND PROTECTED BY COPYRIGHT.

DWG NO. 15407	REVISION: 1.00
DATE: 07/09/2021	RELEASED BY: TB
SCALE: 1:7	SHEET: 1/1
SHEET SIZE: A3	

1 2 3 4 5 6 7 8