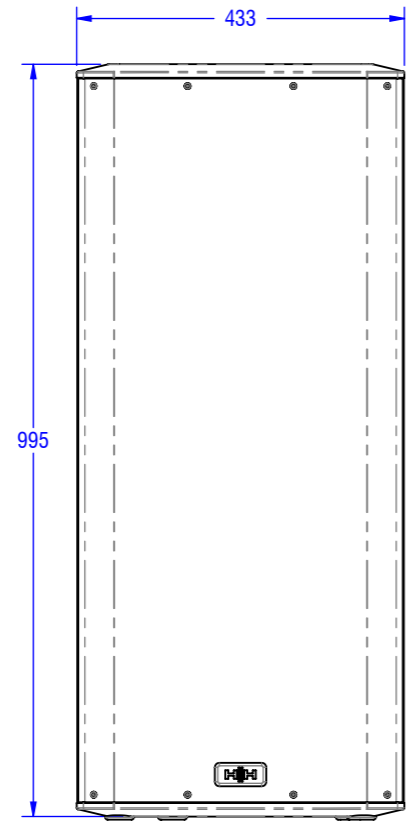
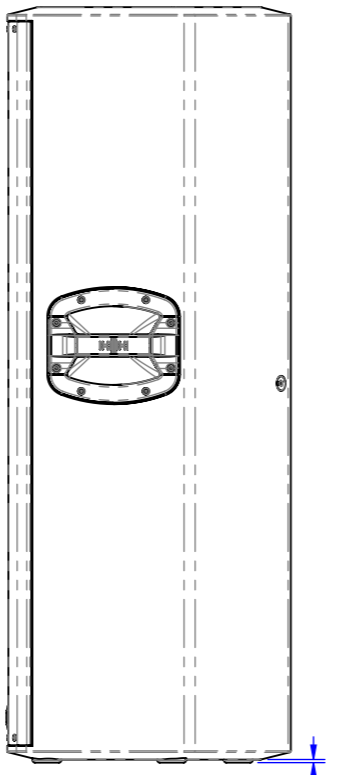


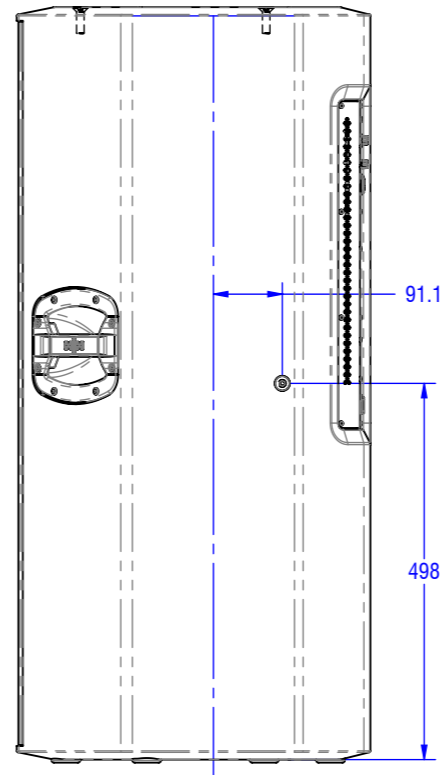
LEFT



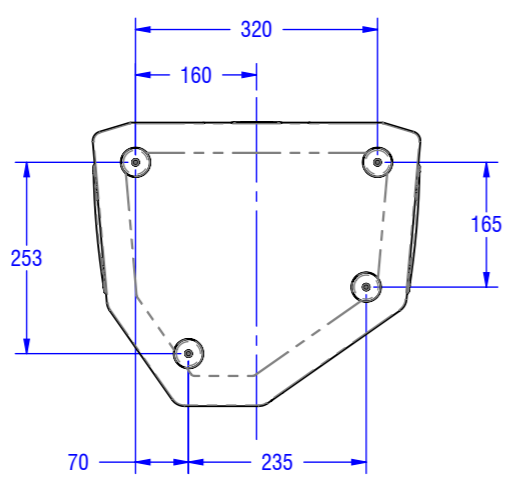
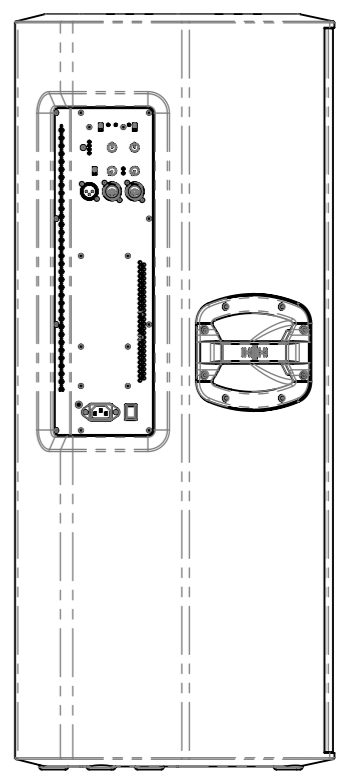
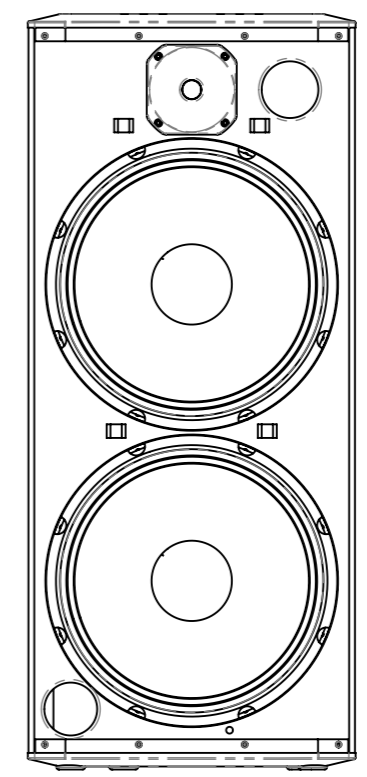
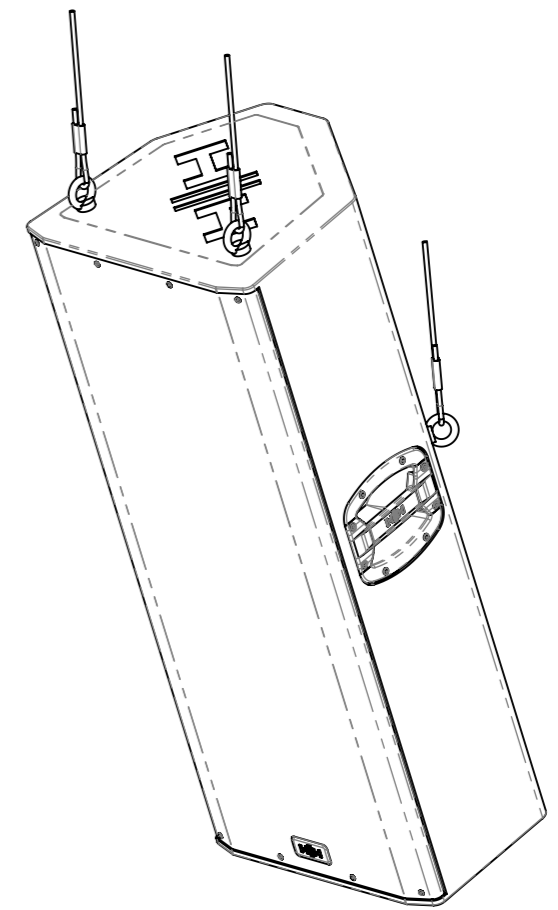
FRONT



RIGHT



REAR FLY POINT



DESCRIPTION:
TNE-2151

STATE:
CUSTOMER INFORMATION

UNLESS OTHERWISE STATED:
ALL DIMENSIONS ARE IN MILLIMETERS (mm)
LINEAR TOLERANCE ± 0.5 ANGULAR TOLERANCE $\pm 1.0^\circ$

PROJECT TITLE:
FULL RANGE ACTIVE SPEAKERS

DRAWINGS SUPPLIED FOR
REFERENCE ONLY

THIS DRAWING REMAINS THE PROPERTY OF HH ELECTRONICS LIMITED.
THIS DRAWING, HARD COPY OR DIGITAL, AND ANY ATTACHMENTS ARE
CONFIDENTIAL, LEGALLY PRIVILEGED AND PROTECTED BY COPYRIGHT.

DWG NO. 12688	REVISION: B.00
DATE: 05/03/2020	RELEASED BY: TB
SCALE: 1:10	SHEET SIZE: A3
	SHEET: 1/1