

PS12

1 x 12" Passive 2-Way Point Source Speaker

FEATURES

- 1 x 12" low-frequency driver, 1 x 3" high-frequency driver.
- 131dB Max SPL (Peak).
- Frequency Response of 50Hz - 18kHz (± 3 dB).
- 90° (H) x 60° (V) dispersion angle.
- Robust wooden enclosure with a wear-resistant finish.

APPLICATIONS

- Bars
- Clubs
- Wedding Venues
- Houses of Worship
- Mobile DJs
- Portable Live Sound Reinforcement



DESCRIPTION

The PS12 is a full-range 2-way passive point source loudspeaker that comprises 1 x 12" specially designed low-frequency driver alongside 1 x 3" magnesium alloy high-frequency compression driver with a maximum SPL of 131dB (Peak).

The PS12 has a horizontal dispersion angle of 90°, and a vertical dispersion angle of 60°.

The PS12 features a unique cabinet structure which greatly reduces unwanted cabinet resonance assisting in the reduction of sound colouration, minimizing distortion and improving the overall output efficiency.

Mounting options include 14 x M8 mounting points as well as a dual-pole mount socket with an option for 0° and -10° vertical tilting. The PS12 also features 2 side handles making it well suited to portable live sound reinforcement applications.

The wooden enclosure is composed of robust plywood, finished with black paint and fitted with a hexagonal mesh steel grille with acoustic foam backing.

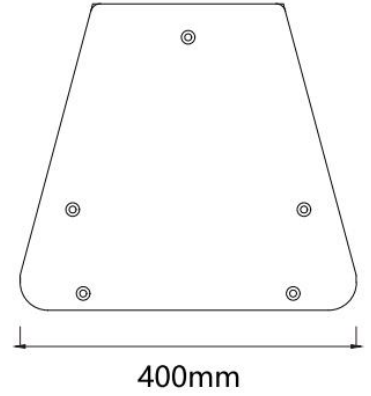
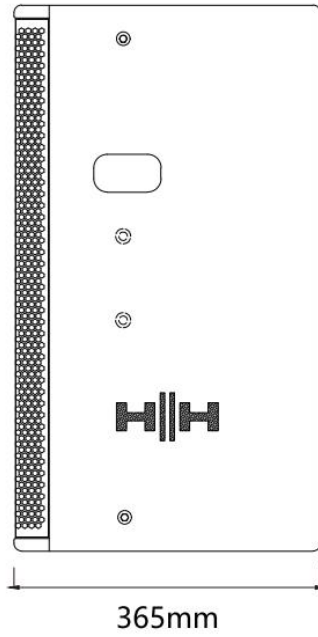
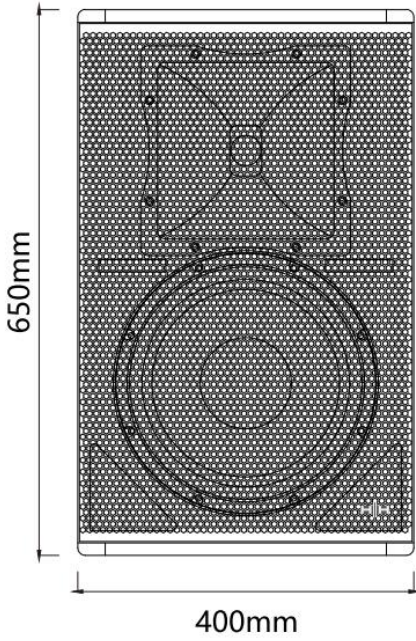


Specifications

Specifications	
System type	2-way Point Source Loudspeaker
Frequency Response	50Hz-18kHz (± 3 dB)
	40Hz-20kHz (-10dB)
Horizontal Coverage Angle	90°
Vertical Coverage Angle	60°
Power Rating	400W Continuous, 1600W Peak
Maximum SPL	125dB Continuous, 131dB Peak
Sensitivity	99dB (1W@1m)
Nominal Impedance	8 Ω
Speaker	
LF Driver	1x12" low-frequency driver
HF Driver	1x3" high-frequency compression driver
Enclosure	
Cabinet	Plywood
Finish	Painted Black
Grille	Hexagonal mesh black perforated steel with acoustic foam backing.
Fittings	2 x Side handles, Dual pole-mount socket (0° and -10°), M8 Mounting points
Mounting Points	14 x M8
Connect	
Connectors	2 x Speakon NL4
Pin Connections (Input)	1+/-
Pin Connections (Link)	1+/- and 2+/-
Dimensions (H/W/D)	650x400x365mm
Weight	22.5kg



DIMENSIONS



HH Electronics is a trading style of
Headstock Distribution Ltd,
Steelpark Road, Coombswood Business Park West,
Halesowen, West Midlands, B62 8HD, UK.
© 2024 HH Electronics Ltd
www.hhaudio.com

In the interest of continued development, HH reserves the right to amend
product specification without prior notification.

