

PS15

1 x 15" Passive 2-Way Point Source Speaker

FEATURES

- 1 x 15" low-frequency driver, 1 x 3" high-frequency driver.
- 133dB Max SPL (Peak).
- Frequency Response of 45Hz - 18kHz (± 3 dB).
- 90° (H) x 60° (V) dispersion angle.
- Robust wooden enclosure with a wear-resistant finish.

APPLICATIONS

- Bars
- Clubs
- Wedding Venues
- Houses of Worship
- Mobile DJs
- Portable Live Sound Reinforcement



DESCRIPTION

The PS15 is a full-range 2-way passive point source loudspeaker that comprises 1 x 15" specially designed low-frequency driver alongside 1 x 3" magnesium alloy high-frequency compression driver with a maximum SPL of 133dB (Peak).

The PS15 has a horizontal dispersion angle of 90°, and a vertical dispersion angle of 60°.

The unique and solid structure of the PS15 reduces unwanted resonance of the cabinet. This helps to prevent sound colouration, minimizes distortion and improves the overall output efficiency.

Mounting options include 10 x M8 mounting points as well as a pole-mount socket. The PS15 also features 2 side handles making it well suited to portable live sound reinforcement applications.

The wooden enclosure is composed of robust plywood, finished with black paint and fitted with a hexagonal mesh steel grille with acoustic foam backing.

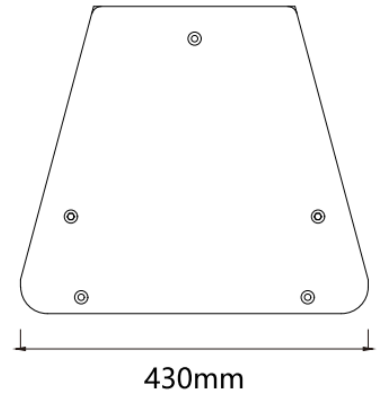
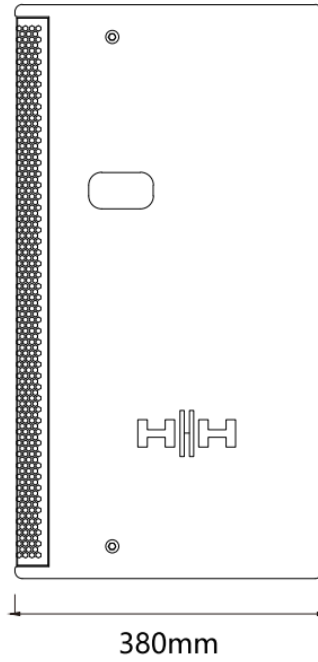
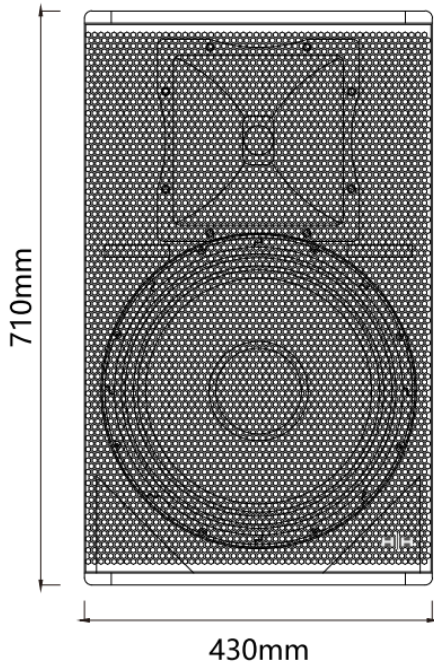


Specifications

Specifications	
System type	2-way Point Source Loudspeaker
Frequency Response	45Hz-18kHz (± 3 dB)
	35Hz-18kHz (-10dB)
Horizontal Coverage Angle	90°
Vertical Coverage Angle	60°
Power Rating	500W Continuous, 2000W Peak
Maximum SPL	127dB Continuous, 133dB Peak
Sensitivity	100dB(1W@1m)
Nominal Impedance	8 Ω
Speaker	
LF Driver	1 x 15" low-frequency driver
HF Driver	1 x 3" high-frequency compression driver
Enclosure	
Cabinet	Plywood
Finish	Painted Black
Grille	Hexagonal Mesh Black Perforated Steel with Acoustic Foam Backing
Fittings	2 x Side handles, Pole-mount socket, Mounting points
Mounting Points	10x M8
Connect	
Connectors	2 x speakON NL4
Pin Connections (Input)	1+/-
Pin Connections (Link)	1+/- and 2+/-
Dimensions (H/W/D)	710x430x380mm
Weight	30kg



DIMENSIONS



HH Electronics is a trading style of
Headstock Distribution Ltd,
Steelpark Road, Coombswood Business Park West,
Halesowen, West Midlands, B62 8HD, UK.
© 2024 HH Electronics Ltd
www.hhaudio.com

In the interest of continued development, HH reserves the right to amend product specification without prior notification.

