

## PS5

1 x 5" Passive 2-Way Point Source Speaker

### FEATURES

- 1 x 5" low-frequency driver, 1 x 2" high-frequency driver.
- 122dB Max SPL (Peak).
- Frequency Response of 90Hz - 20kHz ( $\pm 3$ dB).
- 90° (H) x 60° (V) dispersion angle.
- Robust wooden enclosure with a wear-resistant finish.
- Mounting bracket included.

### APPLICATIONS

- Restaurants
- Bars
- Cafes
- Wedding Venues
- Houses of Worship
- Conference Spaces



### DESCRIPTION

The PS5 is a compact 2-way passive point source speaker that comprises 1 x 5-inch low-frequency driver alongside 1 x 2-inch high-frequency compression driver with a maximum SPL of 122dB (peak).

The PS5 has a horizontal dispersion angle of 90°, and a vertical dispersion angle of 60°.

The unique and solid structure of the PS5 reduces unwanted resonance of the cabinet. This helps to prevent sound colouration, minimizes distortion and improves the overall output efficiency.

Mounting options include 2 x M8 and 2 x M6 mounting points. The rear panel offers input and link connection via Speakon NL4.

The wooden enclosure is composed of robust plywood, finished with black paint, and fitted with a perforated hexagonal mesh steel grille with acoustic foam backing.

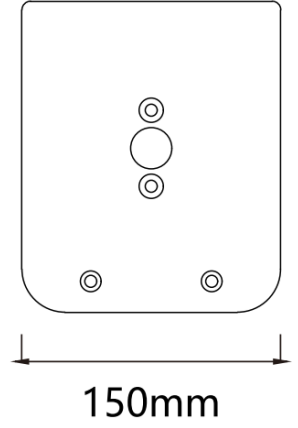
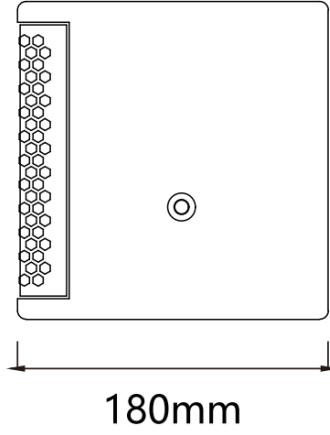
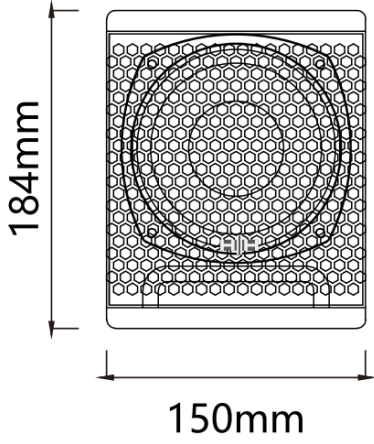


Specifications

| <b>Specifications</b>     |   |
|---------------------------|---|
| Model                     | PS5   |
| System type               | 5" 2-way Point Source Loudspeaker                           |
| Frequency Response        | 90Hz-20kHz ( $\pm 3$ dB)                                    |
|                           | 85Hz-22kHz (-10dB)  |
| Horizontal Coverage Angle | 90°   |
| Vertical Coverage Angle   | 60°   |
| Power Rating              | 150W Continuous, 600W Peak                                  |
| Maximum SPL               | 116dB Continuous, 122dB Peak                                |
| Sensitivity               | 93dB (1W@1m)  |
| Nominal Impedance         | 8 $\Omega$  |
| <b>Speaker</b>            |   |
| LF Driver                 | 1x5" low-frequency driver                                   |
| HF Driver                 | 1x2" high-frequency compression driver                      |
| <b>Enclosure</b>          |   |
| Cabinet                   | Plywood   |
| Finish                    | Black Paint   |
| Grille                    | Hexagonal mesh perforated steel with acoustic foam backing. |
| Mounting Points           | 2 x M8, 2 x M6  |
| <b>Connect</b>            |   |
| Connectors                | 2 x speakON NL4   |
| Pin Connections (Input)   | 1+/-  |
| Pin Connections (Link)    | 1+/- and 2+/-   |
| Dimensions (H/W/D)        | 184x150x180mm   |
| Weight                    | 8kg   |



DIMENSIONS



HH Electronics is a trading style of  
Headstock Distribution Ltd,  
Steelpark Road, Coombswood Business Park West,  
Halesowen, West Midlands, B62 8HD, UK.  
© 2024 HH Electronics Ltd  
[www.hhaudio.com](http://www.hhaudio.com)

In the interest of continued development, HH reserves the right to amend  
product specification without prior notification.

