

## H10

## 10" 2-Way Passive Point Source Loudspeaker

### FEATURES

- 1 x 10" low-frequency driver, 1 x 1.4" high-frequency compression driver.
- 130dB Max SPL (Peak).
- Rotatable horn with 90° (H) x 70° (V) coverage angles.
- Frequency Response of 58Hz - 18kHz ( $\pm 3$ dB).
- Robust wooden enclosure finished with black polyurea paint.

### APPLICATIONS

- Clubs and bars.
- Rehearsal studios.
- Medium scale houses of worship.
- Theatres
- Live sound support



### DESCRIPTION

The H10 is a passive point source loudspeaker that comprises a single 10" low-frequency driver alongside a 1.4" high-frequency compression driver. The LF driver cone is engineered to effectively suppress distortion caused by vibration and deformation caused in high power conditions by utilising an advanced carbon fibre cone. The H10 also features a composite carbon fibre diaphragm tweeter. The system provides a maximum SPL of 130dB (Peak) and a frequency response from 58Hz - 18kHz ( $\pm 3$ dB).

The H10 has a rotatable horn with 90° (H) x 70° (V) coverage angles.

Flexible mounting options include 16 x M8 mounting points plus a dual pole-mount socket with tilt options 0° and -10 °for further versatility.

The enclosure is composed of robust plywood with extensive internal bracing to eliminate vibrational modes. The H10 is finished with hard-wearing black polyurea paint and fitted with a hexagonal mesh steel grille with acoustic foam backing.

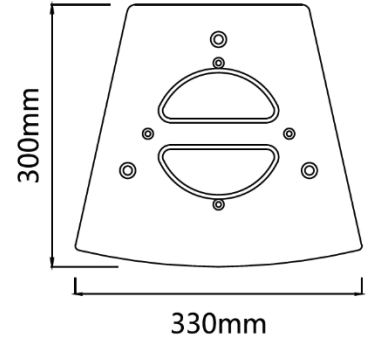
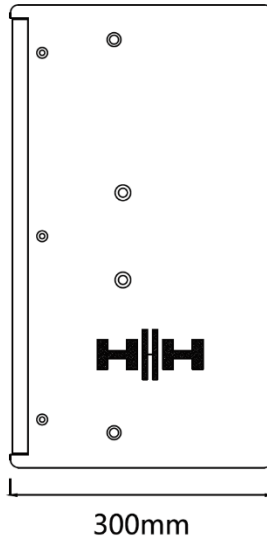
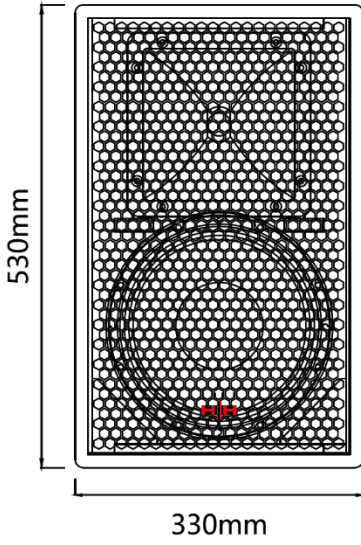


Specifications

Specifications	
System type	10" 2-way Point Source Loudspeaker
Frequency Response	58Hz - 18kHz ( $\pm 3$ dB)
	48Hz - 20kHz (-10dB)
Horizontal Coverage Angle	90° (Rotatable)
Vertical Coverage Angle	70° (Rotatable)
Power Rating	400W Continuous, 1600W Peak
Maximum SPL	124dB Continuous, 130dB Peak
Sensitivity	98dB (1W@1m)
Nominal Impedance	8 $\Omega$
Speaker	
LF Driver	1 x 10" low-frequency driver
HF Driver	1 x 1.4" high-frequency compression driver
Enclosure	
Cabinet	Robust all wood construction
Finish	Hard wearing black polyurea paint
Grille	Hexagonal mesh black perforated steel with acoustic foam backing.
Fittings	1 x Top handle, dual pole-mount sockets (0° and -10°), M8 mounting points.
Mounting Points	16 x M8 (3 on top, 8 on sides, 2 on rear, 3 on base).
Connect	
Connectors	2 x Speakon NL4
Pin Connections (Input)	1+/-
Pin Connections (Link)	1+/- and 2+/-
Dimensions (H/W/D)	530 x 330 x 300mm
Weight	15kg



DIMENSIONS



HH Electronics is a trading style of  
Headstock Distribution Ltd,  
Steelpark Road, Coombswood Business Park West,  
Halesowen, West Midlands, B62 8HD, UK.  
© 2024 HH Electronics Ltd  
[www.haudio.com](http://www.haudio.com)

In the interest of continued development, HH reserves the right to amend  
product specification without prior notification.

