

## P2-Array

Dual 12" 3-Way Passive Array Point Source Loudspeaker

### FEATURES

- 2 x 12" low-frequency driver, 2 x 10" mid-frequency driver, 1 x 4" high-frequency compression driver.
- 146dB Max SPL (Peak).
- 90° (H) x 40° (V) coverage angles.
- Frequency Response of 60Hz - 18kHz ( $\pm 3$ dB).
- Robust wooden enclosure finished with black polyurea paint.

### APPLICATIONS

- Medium to large clubs.
- Small to medium scale live music venues.
- Fixed installations in theatres, concert halls and Houses of Worship.
- Live sound reinforcement.

### DESCRIPTION

The P2-Array is a 3-way passive point source loudspeaker that comprises dual 12" carbon fibre LF drivers, dual 10" Kevlar fibre mid-frequency drivers alongside a 4" composite carbon fibre diaphragm high-frequency compression driver.

These specially crafted drive units combine to achieve line array performance and characteristics in a single enclosure. The P2-Array has a vast projection distance, improved consistency in scattering angle control plus a maximum SPL of 146dB (Peak). The P2-Array has a frequency response from 60Hz - 18kHz ( $\pm 3$ dB) and coverage angles of 90° (H) x 40° (V).

The cabinet has 10 x M8 mounting points, is constructed of robust plywood, finished with hard-wearing black polyurea paint and fitted with a hexagonal mesh steel grille with acoustic foam backing.



## Specifications

Specifications	
System type	Dual 12" 3-way Array Point Source Loudspeaker
Frequency Response	60Hz - 18kHz ( $\pm 3$ dB)
	50Hz - 20kHz (-10dB)
Horizontal Coverage Angle	90°
Vertical Coverage Angle	40°
Power Rating	LF:1200W Continuous, 4800W Peak
	MHF:700W Continuous, 2800W Peak
Maximum SPL	140dB Continuous, 146dB Peak
Sensitivity	LF:103dB (1W@1m)
	MHF:112dB (1W@1m)
Nominal Impedance	LF:4 $\Omega$ , MHF:8 $\Omega$
Speaker	
LF Driver	2 x 12" low-frequency driver
MF Driver	2 x 10" mid-frequency driver
HF Driver	1 x 4" high-frequency compression driver
Enclosure	
Cabinet	Robust all wood construction.
Finish	Hard wearing black polyurea paint.
Grille	Hexagonal mesh black perforated steel with acoustic foam backing.
Fittings	2 x side handles, mounting points.
Mounting Points	10 x M8 (6 on top, 4 on sides).
Connect	
Connectors	2 x Speakon NL4
Pin Connections (Input)	1+/- (LF) and 2+/- (MHF)
Pin Connections (Link)	1+/- and 2+/-
Dimensions (H/W/D)	900 x 580 x 655mm
Weight	80kg

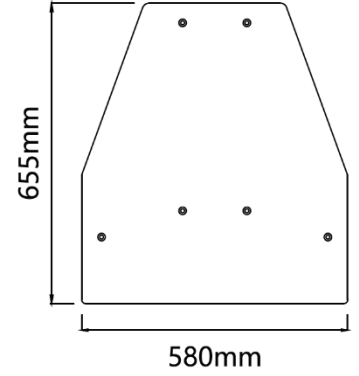
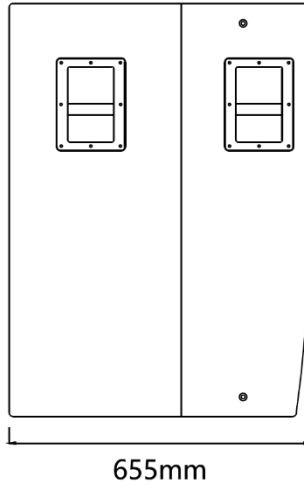
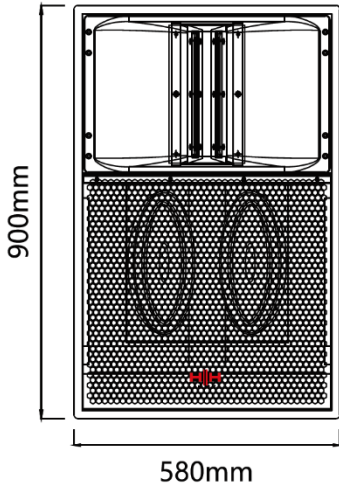




Passive Loudspeakers

**ROYAL**  
S E R I E S  
Royal Series Point Source Loudspeaker

## DIMENSIONS



HH Electronics is a trading style of  
Headstock Distribution Ltd,  
Steelpark Road, Coombswood Business Park West,  
Halesowen, West Midlands, B62 8HD, UK.  
© 2024 HH Electronics Ltd  
[www.haudio.com](http://www.haudio.com)

In the interest of continued development, HH reserves the right to amend  
product specification without prior notification.

