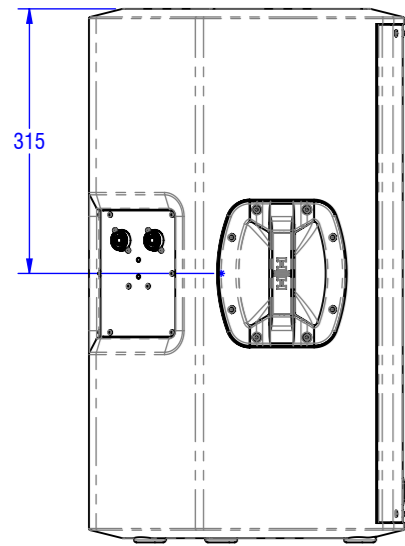
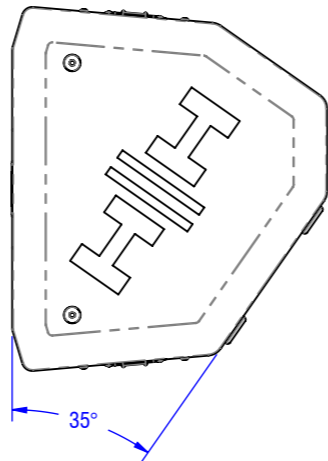
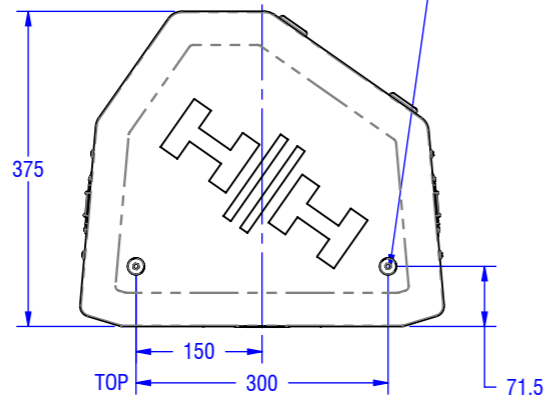
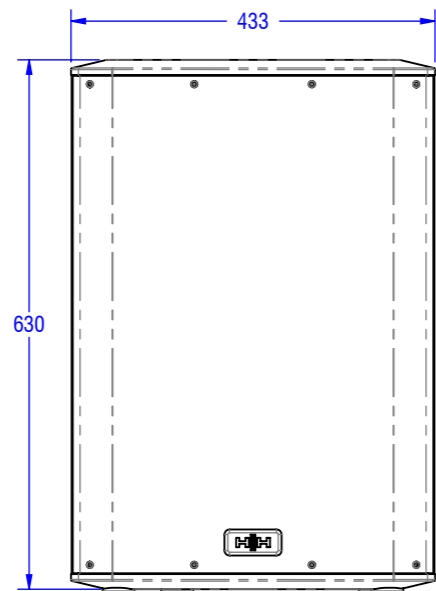


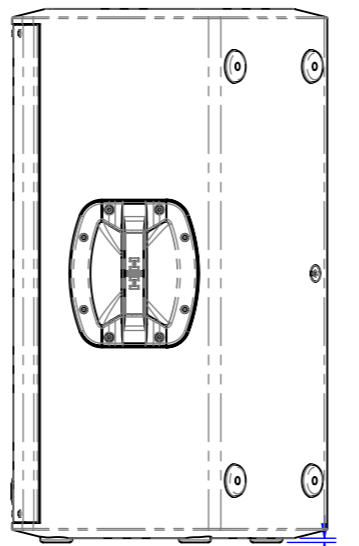
M10 FLYING POINTS X 3  
(35mm MIN THREAD LENGTH REQD.)



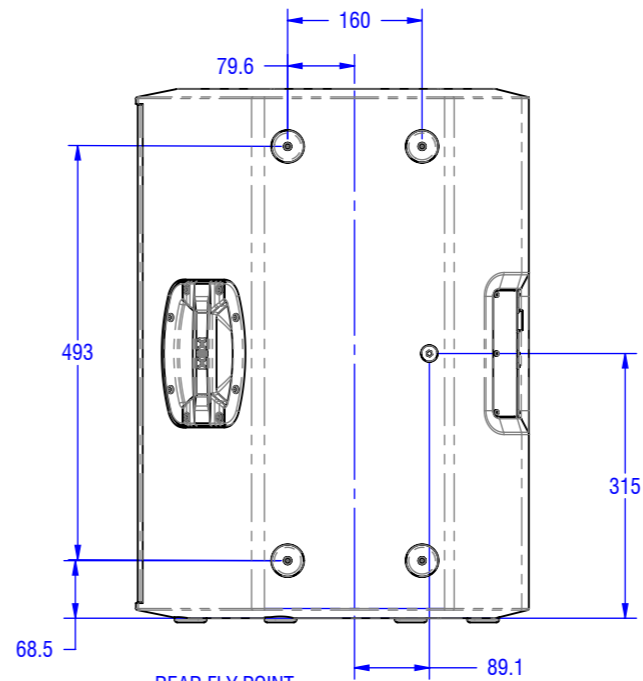
LEFT



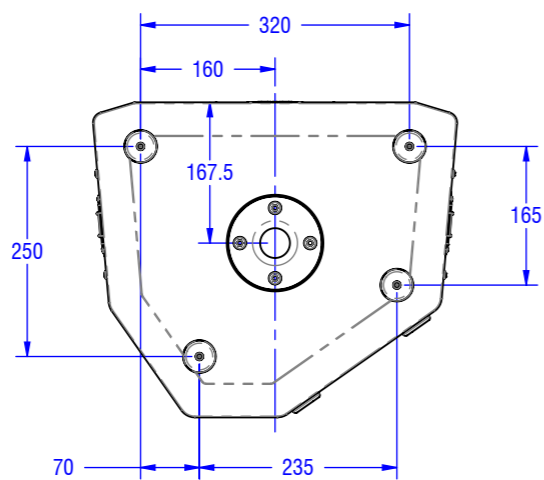
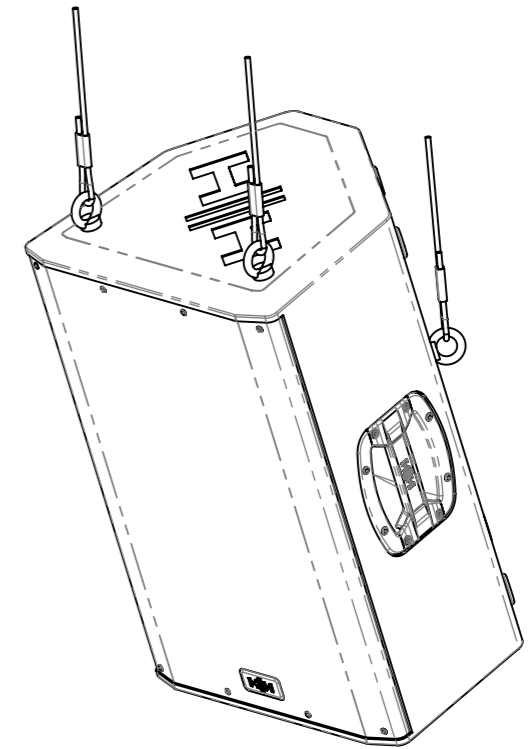
FRONT



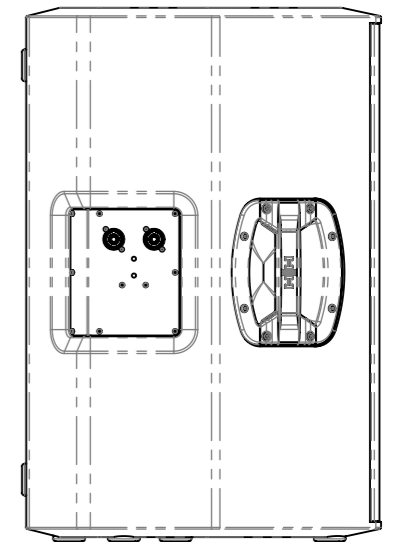
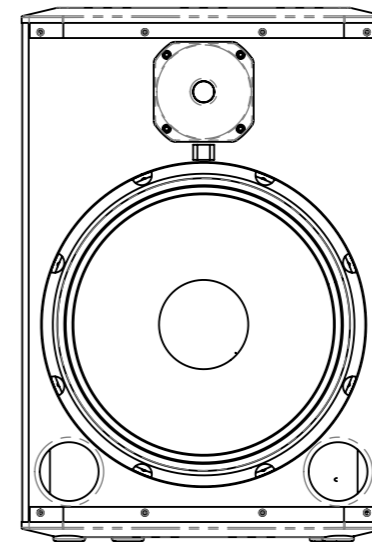
RIGHT



REAR FLY POINT



BASE



HH ELECTRONICS LTD  
STEELPARK ROAD, COOMBS WOOD BUSINESS PARK,  
HALESOWEN, WEST MIDLANDS, B62 8HD, UK  
WWW.HHELECTRONICS.CO.UK

DESCRIPTION:  
TNP-1501

STATE:  
CUSTOMER INFORMATION



UNLESS OTHERWISE STATED:  
ALL DIMENSIONS ARE IN MILLIMETERS (mm)  
LINEAR TOLERANCE  $\pm 0.5$  ANGULAR TOLERANCE  $\pm 1.0^\circ$

PROJECT TITLE:  
FULL RANGE PASSIVE SPEAKERS

DRAWINGS SUPPLIED FOR  
REFERENCE ONLY

THIS DRAWING REMAINS THE PROPERTY OF HH ELECTRONICS LIMITED.  
THIS DRAWING, HARD COPY OR DIGITAL, AND ANY ATTACHMENTS ARE  
CONFIDENTIAL, LEGALLY PRIVILEGED AND PROTECTED BY COPYRIGHT.

DWG NO.  
12715

DATE:  
05/03/2020

SCALE:  
1:9

REVISION:  
B.00

RELEASED BY:  
TB

SHEET:  
1/1