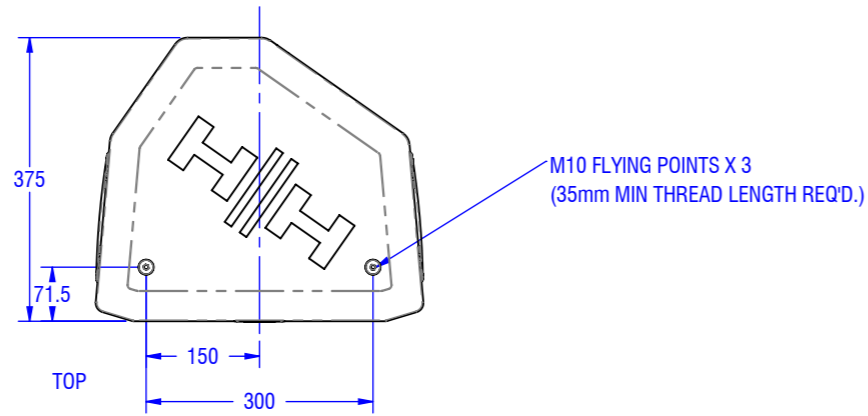


447

LEFT



375

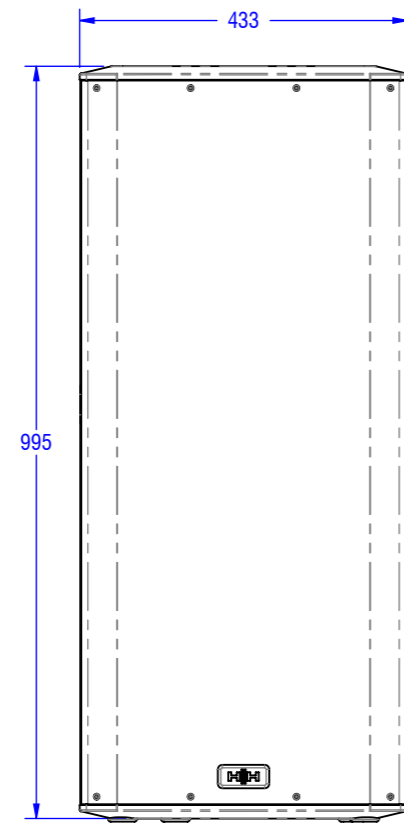
71.5

TOP

150

300

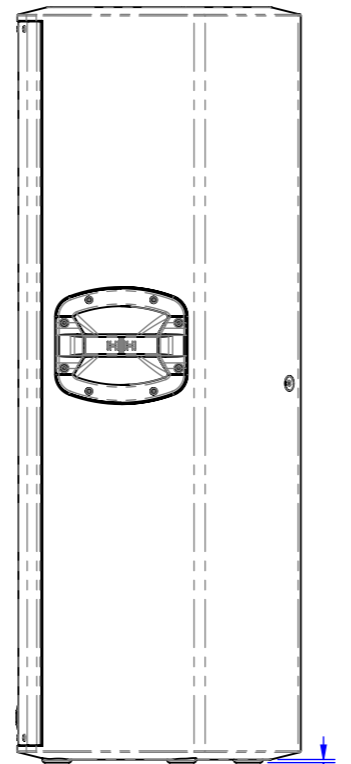
M10 FLYING POINTS X 3
(35mm MIN THREAD LENGTH REQ'D.)



433

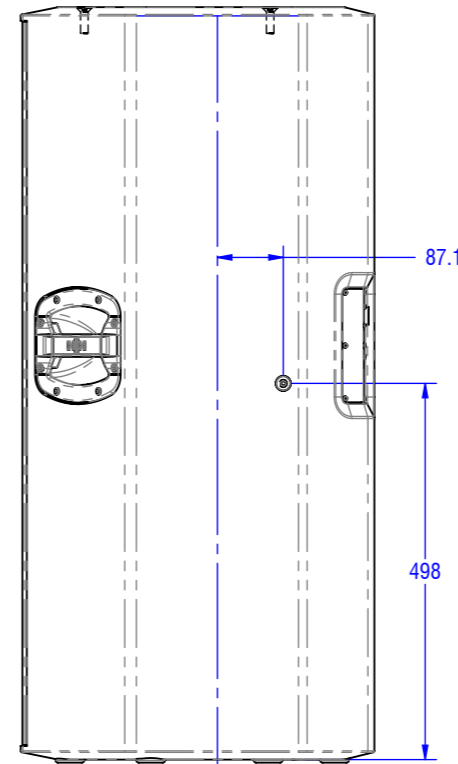
995

FRONT



RIGHT

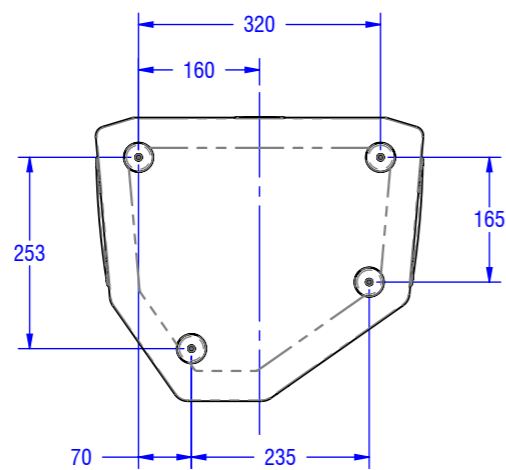
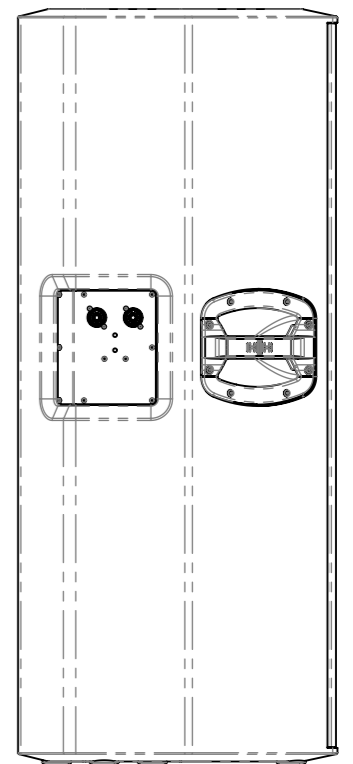
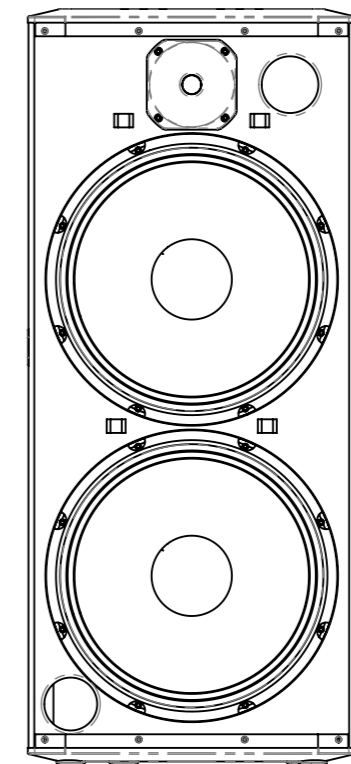
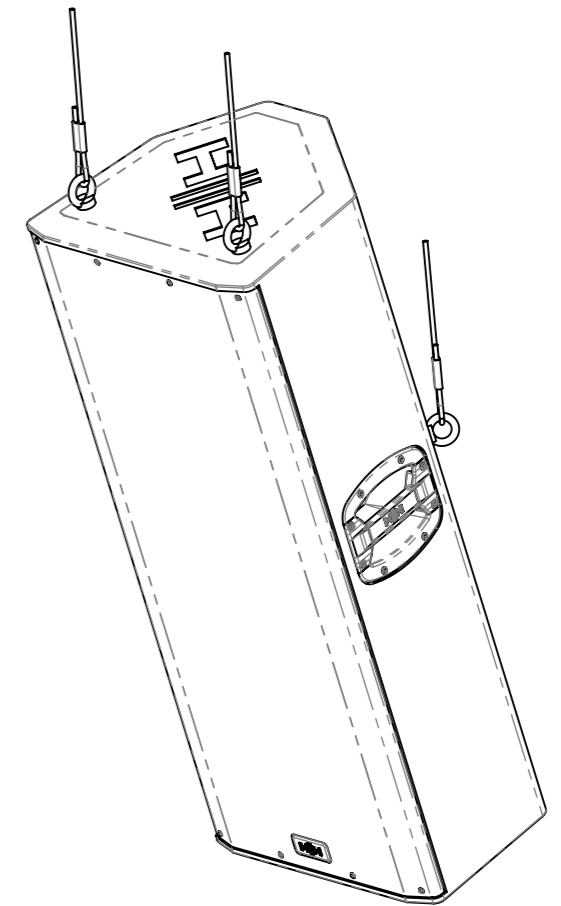
4



REAR FLY POINT

87.1

498



253

70

235

BASE

320

160

165



DESCRIPTION:
TNP-2151

STATE:
CUSTOMER INFORMATION



UNLESS OTHERWISE STATED:
ALL DIMENSIONS ARE IN MILLIMETERS (mm)
LINEAR TOLERANCE ± 0.5 ANGULAR TOLERANCE $\pm 1.0^\circ$

PROJECT TITLE:
FULL RANGE PASSIVE SPEAKERS

DRAWINGS SUPPLIED FOR
REFERENCE ONLY

THIS DRAWING REMAINS THE PROPERTY OF HH ELECTRONICS LIMITED.
THIS DRAWING, HARD COPY OR DIGITAL, AND ANY ATTACHMENTS ARE
CONFIDENTIAL, LEGALLY PRIVILEGED AND PROTECTED BY COPYRIGHT.

DWG NO.
12719

DATE:
05/03/2020

SCALE:
1:10

REVISION:
B.00

RELEASED BY:
TB

SHEET:
1/1