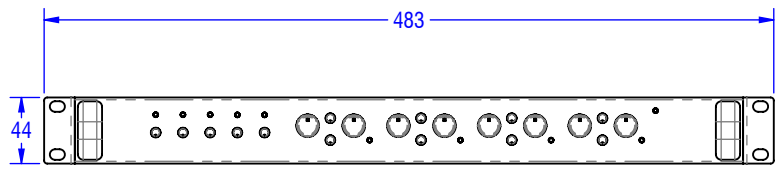
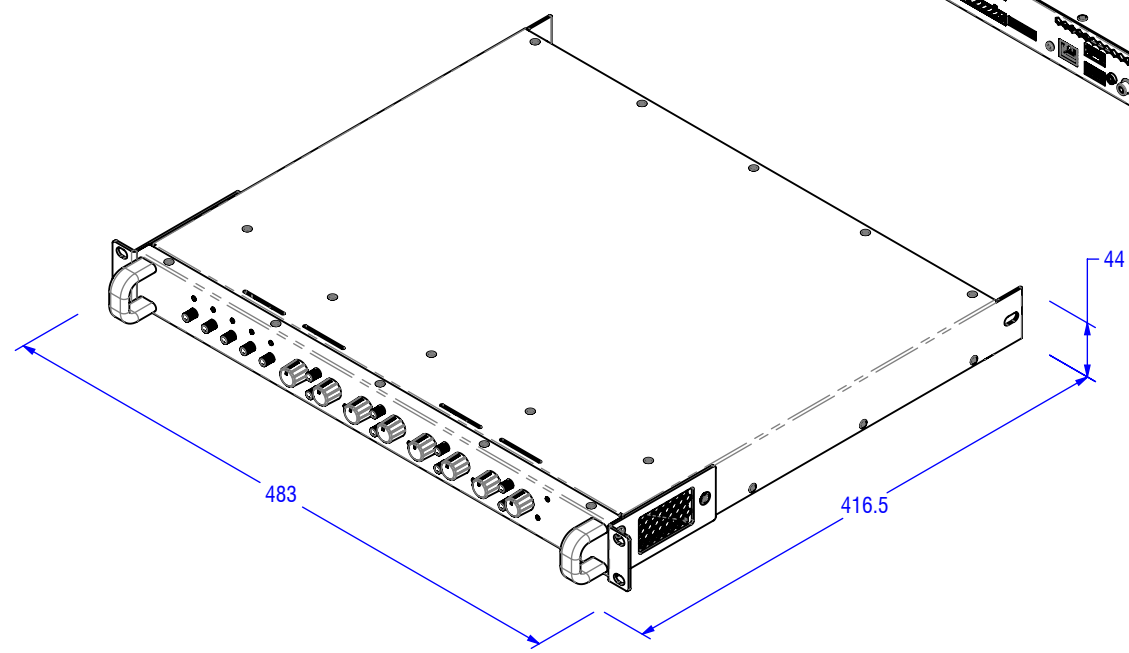
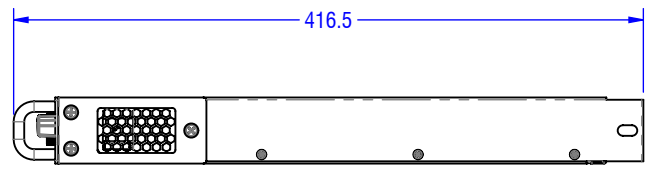


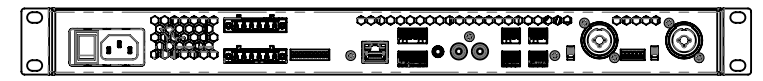
TOP



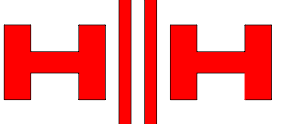

FRONT



RIGHT



REAR

 HH ELECTRONICS LTD STEELPARK ROAD, COOMBS WOOD BUSINESS PARK, HALESOWEN, WEST MIDLANDS, B62 8HD, UK WWW.HHELECTRONICS.CO.UK	DESCRIPTION: FULL ASSEMBLY - (WITH RACK WINGS)	PROJECT TITLE: MZ-SERIES - MZ-280Q	DWG NO. MCA015279	REVISION: 6
	STATE: RELEASED	REFER TO 3D MODEL FOR FULL DIMENSIONAL DATA	DATE: 31/03/2023	RELEASED BY: TB
	 UNLESS OTHERWISE STATED: ALL DIMENSIONS ARE IN MILLIMETERS (mm) LINEAR TOLERANCE ± 0.5 ANGULAR TOLERANCE $\pm 1.0^\circ$	THIS DRAWING REMAINS THE PROPERTY OF HH ELECTRONICS LIMITED. THIS DRAWING, HARD COPY OR DIGITAL, AND ANY ATTACHMENTS ARE CONFIDENTIAL, LEGALLY PRIVILEGED AND PROTECTED BY COPYRIGHT.	SCALE: 1:5	SHEET SIZE: A3