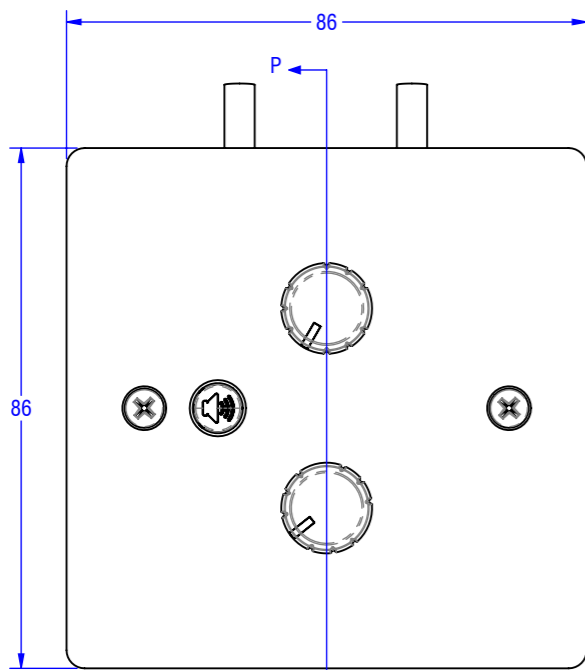
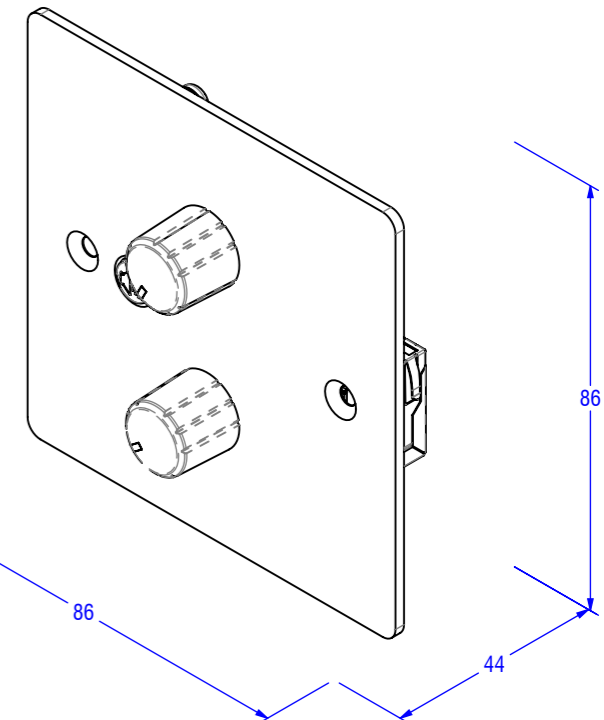
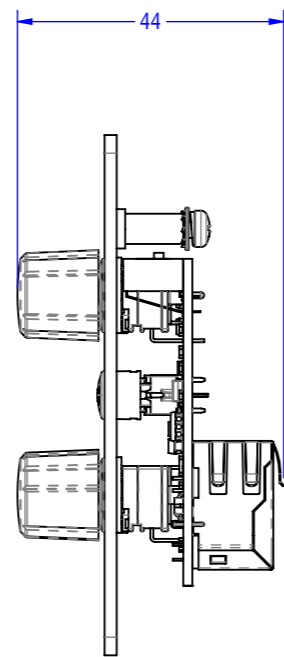


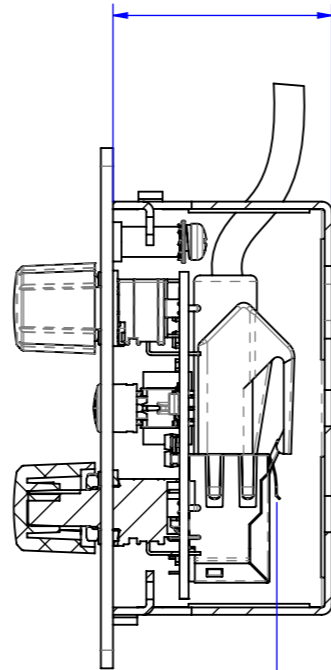
TOP



FRONT

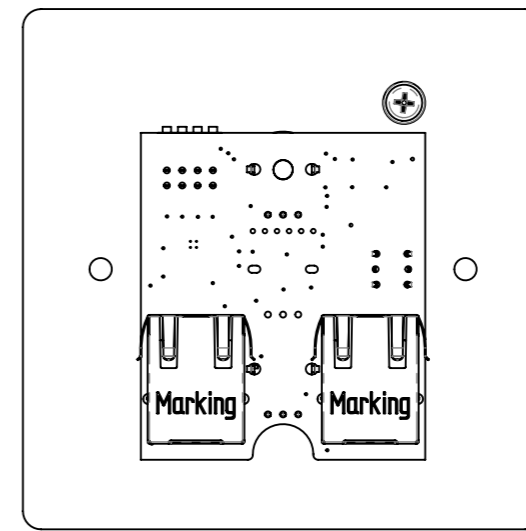


RIGHT



SECTION P-P

TO SUIT 36mm
MIN BACKBOX



REAR



HH ELECTRONICS LTD
STEELPARK ROAD, COOMBS WOOD BUSINESS PARK,
HALESOWEN, WEST MIDLANDS, B62 8HD, UK
WWW.HHELECTRONICS.CO.UK

DESCRIPTION:

EU - FULL ASSEMBLY

STATE:

RELEASED



UNLESS OTHERWISE STATED:
ALL DIMENSIONS ARE IN MILLIMETERS (mm)
LINEAR TOLERANCE ± 0.5 ANGULAR TOLERANCE $\pm 1.0^\circ$

PROJECT TITLE:

MZ-SERIES - MZ-C2

REFER TO 3D MODEL FOR FULL DIMENSIONAL DATA

THIS DRAWING REMAINS THE PROPERTY OF HH ELECTRONICS LIMITED.
THIS DRAWING, HARD COPY OR DIGITAL, AND ANY ATTACHMENTS ARE
CONFIDENTIAL, LEGALLY PRIVILEGED AND PROTECTED BY COPYRIGHT.

DWG NO.

MCA015562

DATE:

31/03/2023

SCALE:
1:1.25

REVISION:

3

RELEASED BY:

TB

SHEET SIZE:
A3

SHEET:
2/3