

WALL CONTROLLER

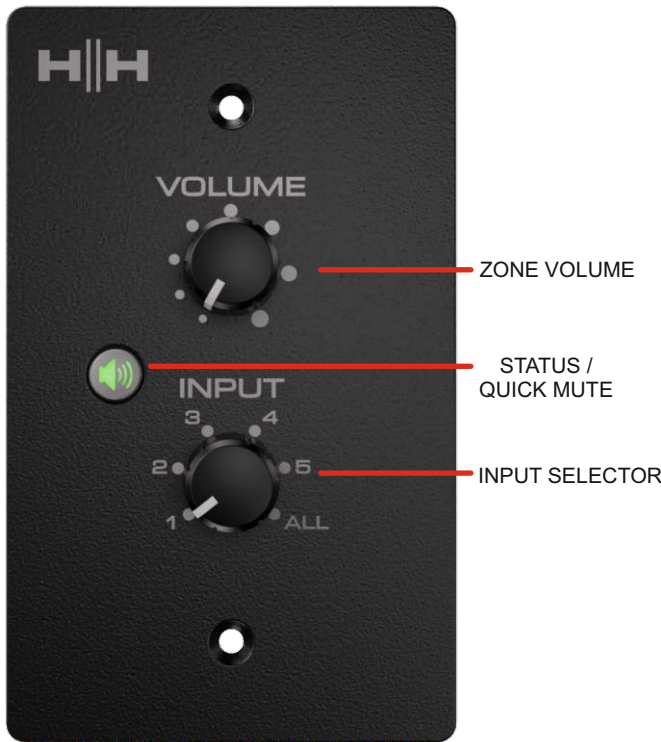
MZ-SERIES INSTALLATION

MZ-C2

The MZ-C2 is a wall mounted volume controller and source selector for the MZ series zone distribution amplifiers. The MZ-C2 allows the installer to select which zones the volume control is assigned to, and has a handy quick illuminated mute option to avoid moving the volume control. Front mounted source selector control allows the user to select which input is routed to the selected zone/s. Connected using standard Cat5 cable, installation is quick and easy. MZ-C2-US-BK is finished in satin black and fits a standard USA sized J box. White version available (MZ-C2-US-WH)

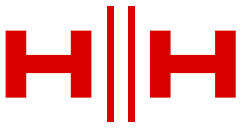
FEATURES

- Volume and Source Select
- Standard USA sized J Box
- Satin Black finish
- Installer DIP switch settings for controlled zone/s
- Control 1,2,3 or 4 zones with one control
- Quick Mute Switch with Status Led



Model	MZ-C2-US-BK
System type	Wall volume controller with source select
Colour	Black
Features	
Controls	Rotary volume control, Rotary source selector. Dual colour mute switch (Red for Muted, Green for active) 4W DIP switch to select Z1,Z2,Z3,Z4 control
Input Connectors	1x RJ45 LAN connector for direct connection to the master zone amplifier
Output Connectors	1x RJ45 LAN connector for direct connection to the next wall controller in the chain
Wiring	Standard CAT5e shielded cable, in a daisy chain configuration (Home run wiring not currently supported)
Dimensions	
Unit dimensions (HWD)	114 x 70 x 44 mm (4.5" x 2.8" x 1.7")
Installation Depth	48mm Min Depth Required
Net Weight	0.147Kg, 0.3 lbs
Carton dimensions (HWD)	135 x 115 x 75 mm (5.3" x 4.5" x 3")
Gross Weight	0.205Kg, 0.5 lbs
Master Carton dimensions (HWD)	165 x 475 x 255 mm (6.5" x 18.7" x 10") (0.02 M3)
Gross Weight	4.5Kg, 9.9 lbs
Accessories	
EAN13	5060109458428 single, 5060109458435 Master, 12pcs multipack)

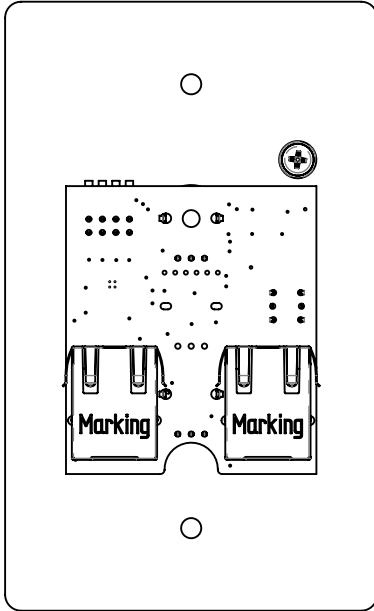




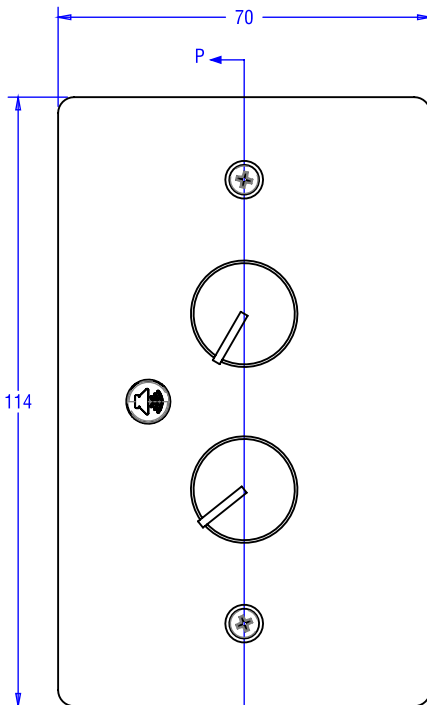
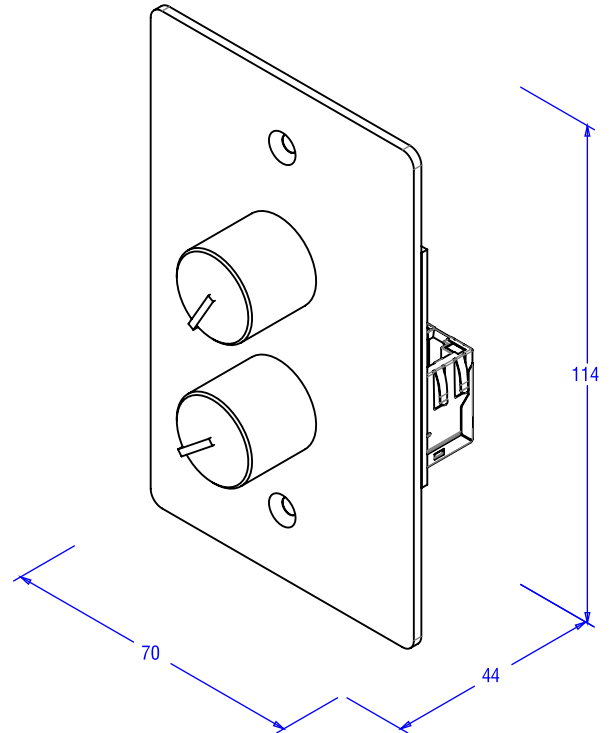
WALL CONTROLLER

MZ-SERIES
INSTALLATION

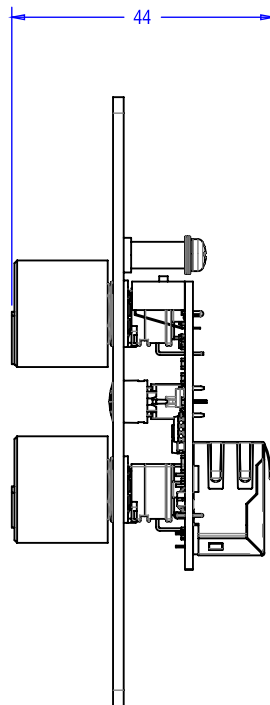
DIMENSIONS



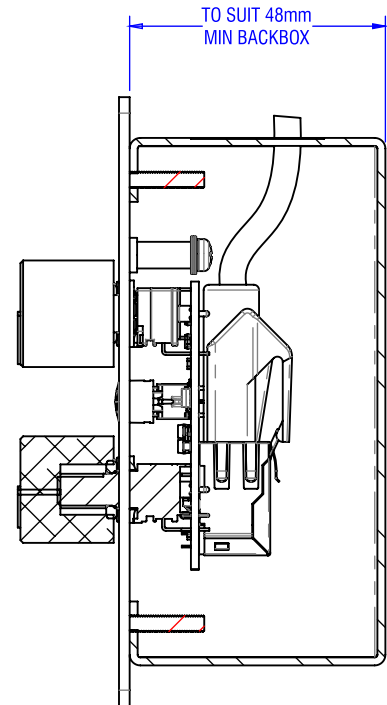
REAR



FRONT



RIGHT



SECTION P-P

