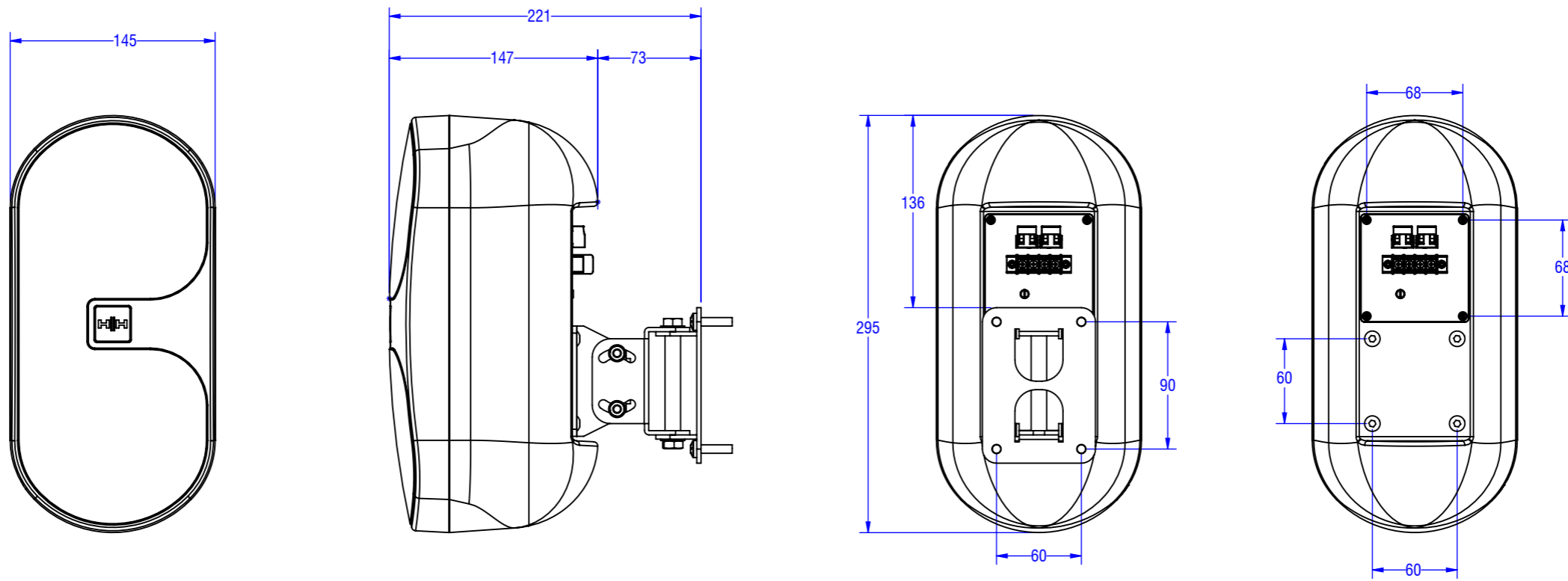
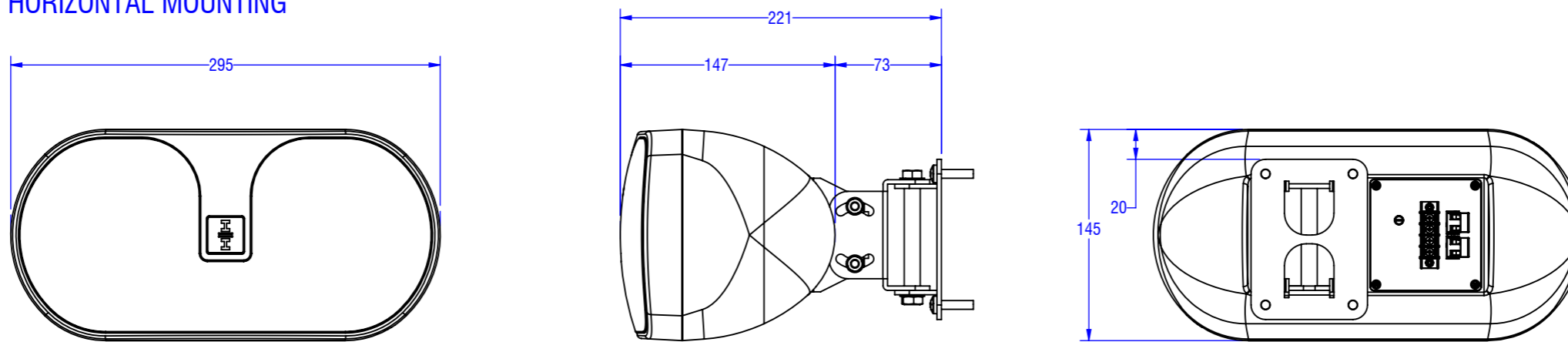
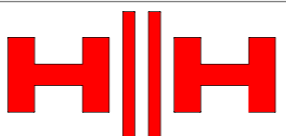
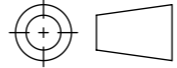


VERTICAL MOUNTING

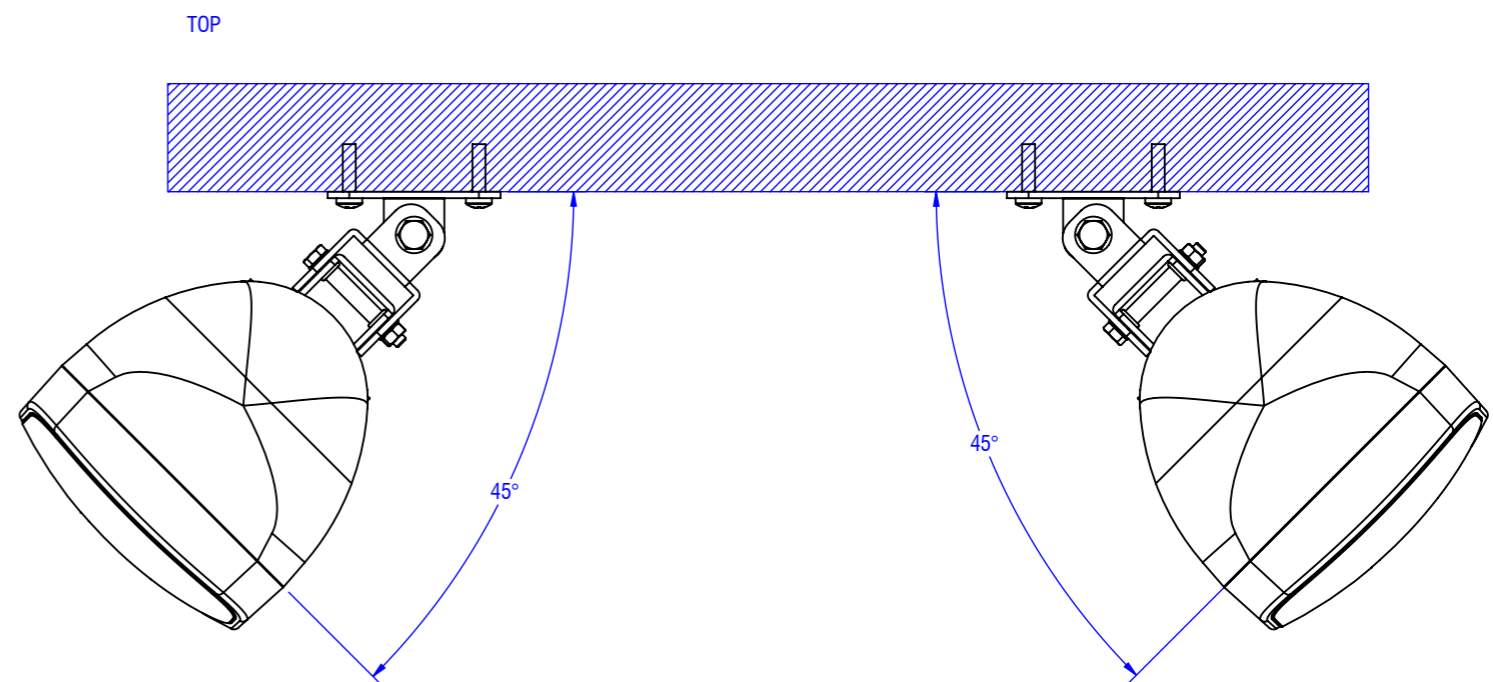
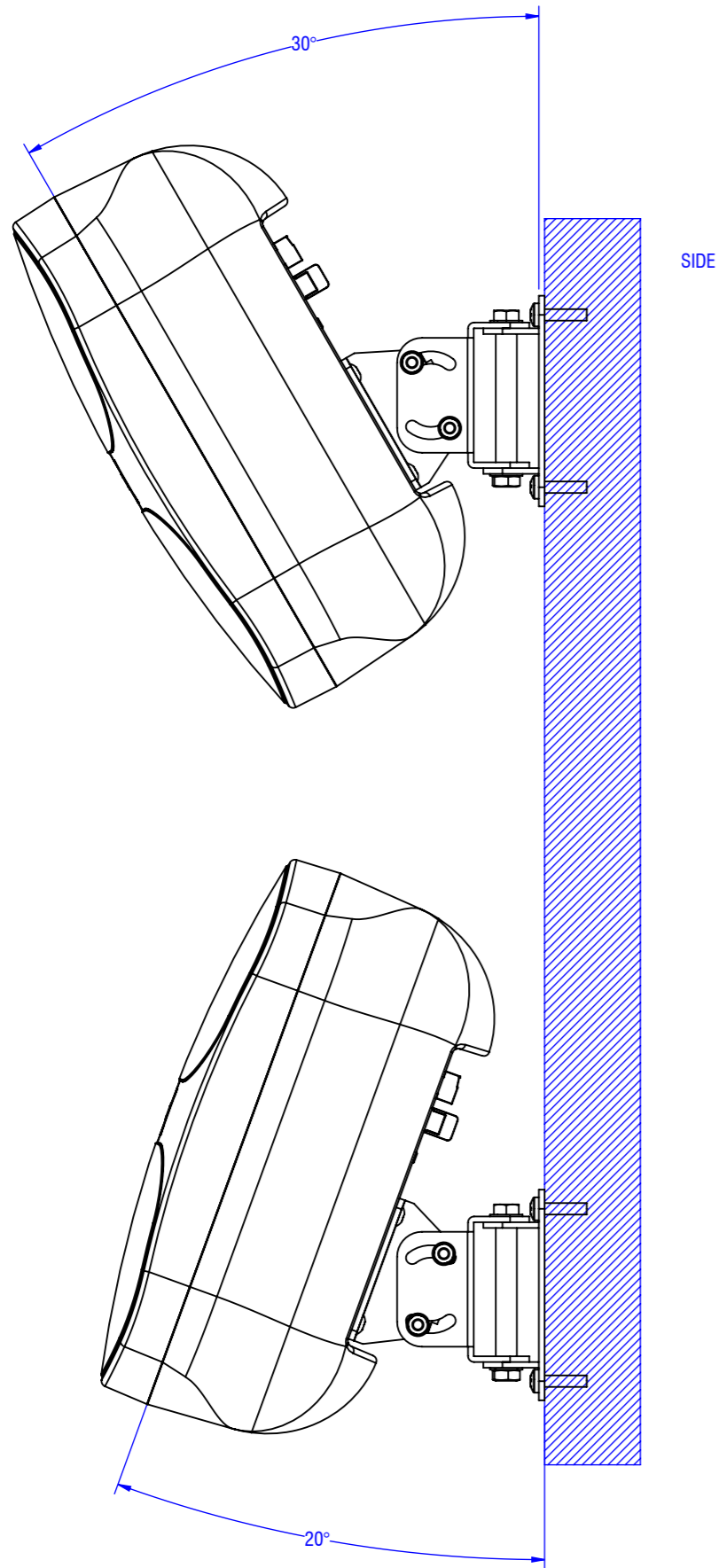


HORIZONTAL MOUNTING



 HH ELECTRONICS LTD STEELPARK ROAD, COOMBS WOOD BUSINESS PARK, HALESOWEN, WEST MIDLANDS, B62 8HD, UK WWW.HHELECTRONICS.CO.UK	DESCRIPTION: TN1-W4	PROJECT TITLE: INSTALLATION LOUDSPEAKERS	DWG NO. 14645	REVISION: A.00
	STATE: CUSTOMER INFORMATION	DRAWINGS SUPPLIED FOR REFERENCE ONLY	DATE: 04/03/2020	RELEASED BY: TB
	 UNLESS OTHERWISE STATED: ALL DIMENSIONS ARE IN MILLIMETERS (mm) LINEAR TOLERANCE ± 0.5 ANGULAR TOLERANCE $\pm 1.0^\circ$	THIS DRAWING REMAINS THE PROPERTY OF HH ELECTRONICS LIMITED. THIS DRAWING, HARD COPY OR DIGITAL, AND ANY ATTACHMENTS ARE CONFIDENTIAL, LEGALLY PRIVILEGED AND PROTECTED BY COPYRIGHT.	SCALE: 1:4	SHEET SIZE: A3

VERTICAL MOUNTING



DESCRIPTION:
TN1-W4

STATE:
CUSTOMER INFORMATION

UNLESS OTHERWISE STATED:
 ALL DIMENSIONS ARE IN MILLIMETERS (mm)
 LINEAR TOLERANCE ± 0.5 ANGULAR TOLERANCE $\pm 1.0^\circ$

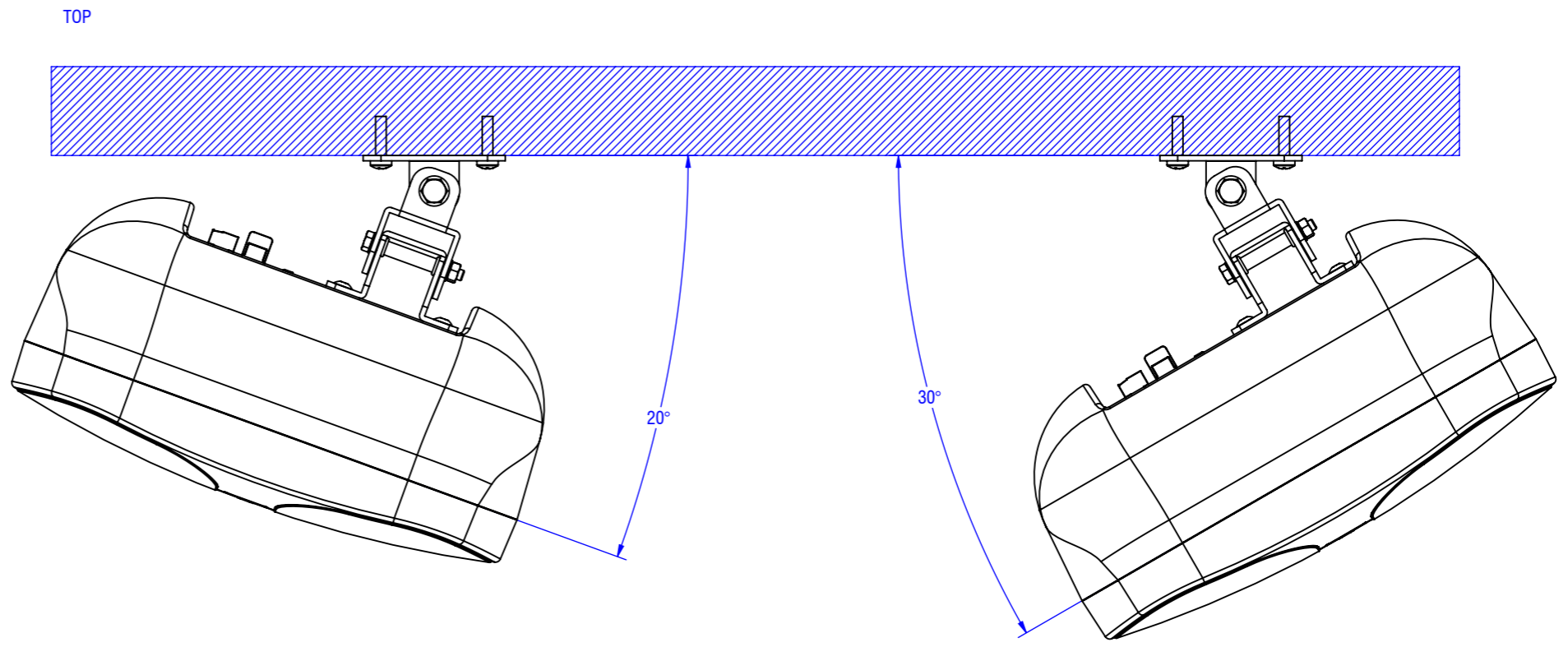
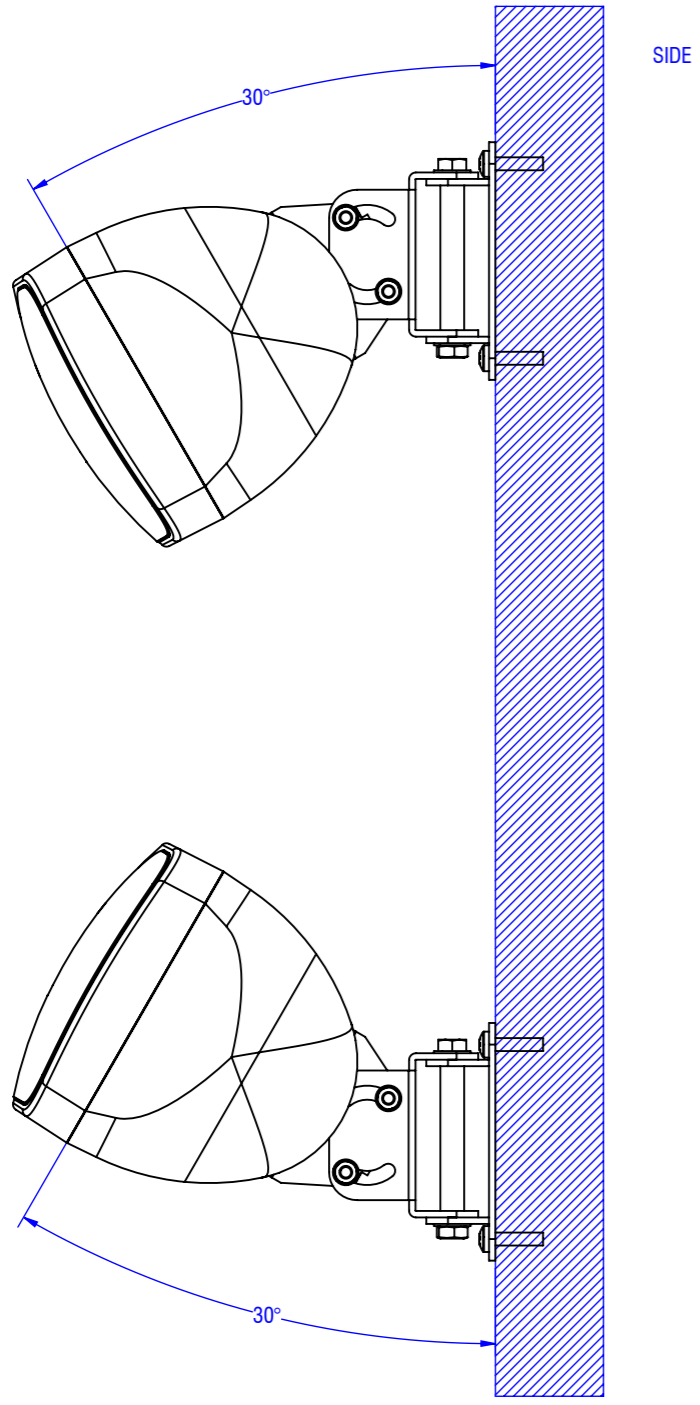
PROJECT TITLE:
INSTALLATION LOUDSPEAKERS

DRAWINGS SUPPLIED FOR
 REFERENCE ONLY

THIS DRAWING REMAINS THE PROPERTY OF HH ELECTRONICS LIMITED.
 THIS DRAWING, HARD COPY OR DIGITAL, AND ANY ATTACHMENTS ARE
 CONFIDENTIAL, LEGALLY PRIVILEGED AND PROTECTED BY COPYRIGHT.

DWG NO. 14645	REVISION: A.00
DATE: 04/03/2020	RELEASED BY: TB
SCALE: 1:3.5	SHEET SIZE: A3
SHEET: 2/3	

HORIZONTAL MOUNTING



HH ELECTRONICS LTD
 STEELPARK ROAD, COOMBS WOOD BUSINESS PARK,
 HALESOWEN, WEST MIDLANDS, B62 8HD, UK
 WWW.HHELECTRONICS.CO.UK

DESCRIPTION:
TN1-W4

STATE:
CUSTOMER INFORMATION

UNLESS OTHERWISE STATED:
 ALL DIMENSIONS ARE IN MILLIMETERS (mm)
 LINEAR TOLERANCE ±0.5 ANGULAR TOLERANCE ±1.0°

PROJECT TITLE:
INSTALLATION LOUDSPEAKERS

DRAWINGS SUPPLIED FOR
 REFERENCE ONLY

THIS DRAWING REMAINS THE PROPERTY OF HH ELECTRONICS LIMITED.
 THIS DRAWING, HARD COPY OR DIGITAL, AND ANY ATTACHMENTS ARE
 CONFIDENTIAL, LEGALLY PRIVILEGED AND PROTECTED BY COPYRIGHT.

DWG NO. 14645	REVISION: A.00
DATE: 04/03/2020	RELEASED BY: TB
SCALE: 1:3.5	SHEET SIZE: A3
	SHEET: 3/3