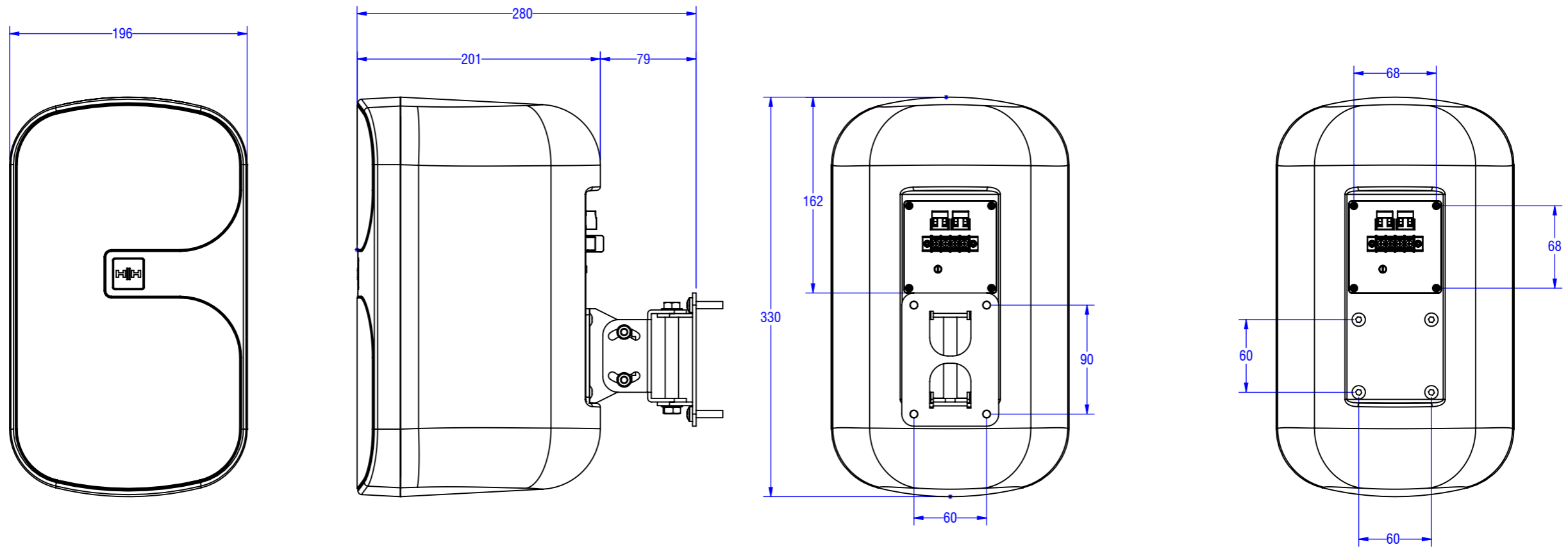
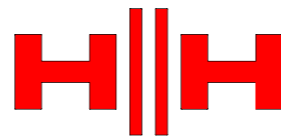
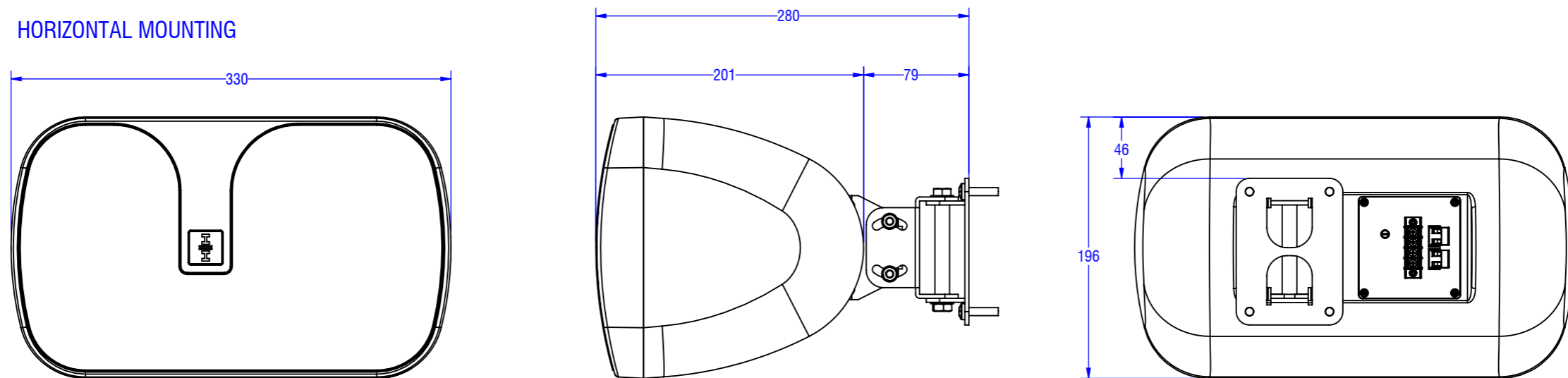


VERTICAL MOUNTING



HORIZONTAL MOUNTING



HH ELECTRONICS LTD
 STEELPARK ROAD, COOMBS WOOD BUSINESS PARK,
 HALESOWEN, WEST MIDLANDS, B62 8HD, UK
 WWW.HHELECTRONICS.CO.UK

DESCRIPTION:
TN1-W6

STATE:
CUSTOMER INFORMATION



UNLESS OTHERWISE STATED:
 ALL DIMENSIONS ARE IN MILLIMETERS (mm)
 LINEAR TOLERANCE ± 0.5 ANGULAR TOLERANCE $\pm 1.0^\circ$

PROJECT TITLE:
INSTALLATION LOUDSPEAKERS

**DRAWINGS SUPPLIED FOR
 REFERENCE ONLY**

THIS DRAWING REMAINS THE PROPERTY OF HH ELECTRONICS LIMITED.
 THIS DRAWING, HARD COPY OR DIGITAL, AND ANY ATTACHMENTS ARE
 CONFIDENTIAL, LEGALLY PRIVILEGED AND PROTECTED BY COPYRIGHT.

DWG NO.
14646

DATE:
04/03/2020

SCALE:
1:4

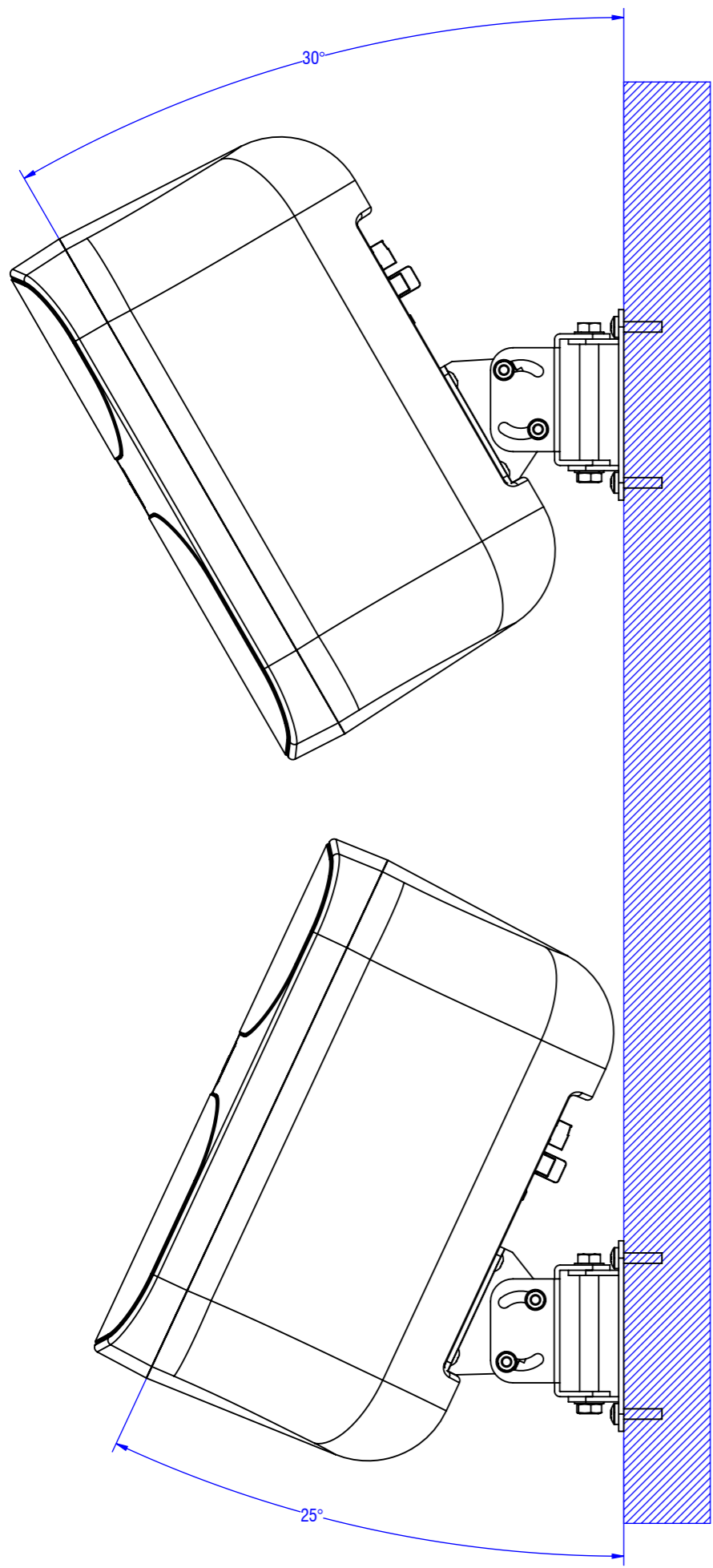
REVISION:
A.00

RELEASED BY:
TB

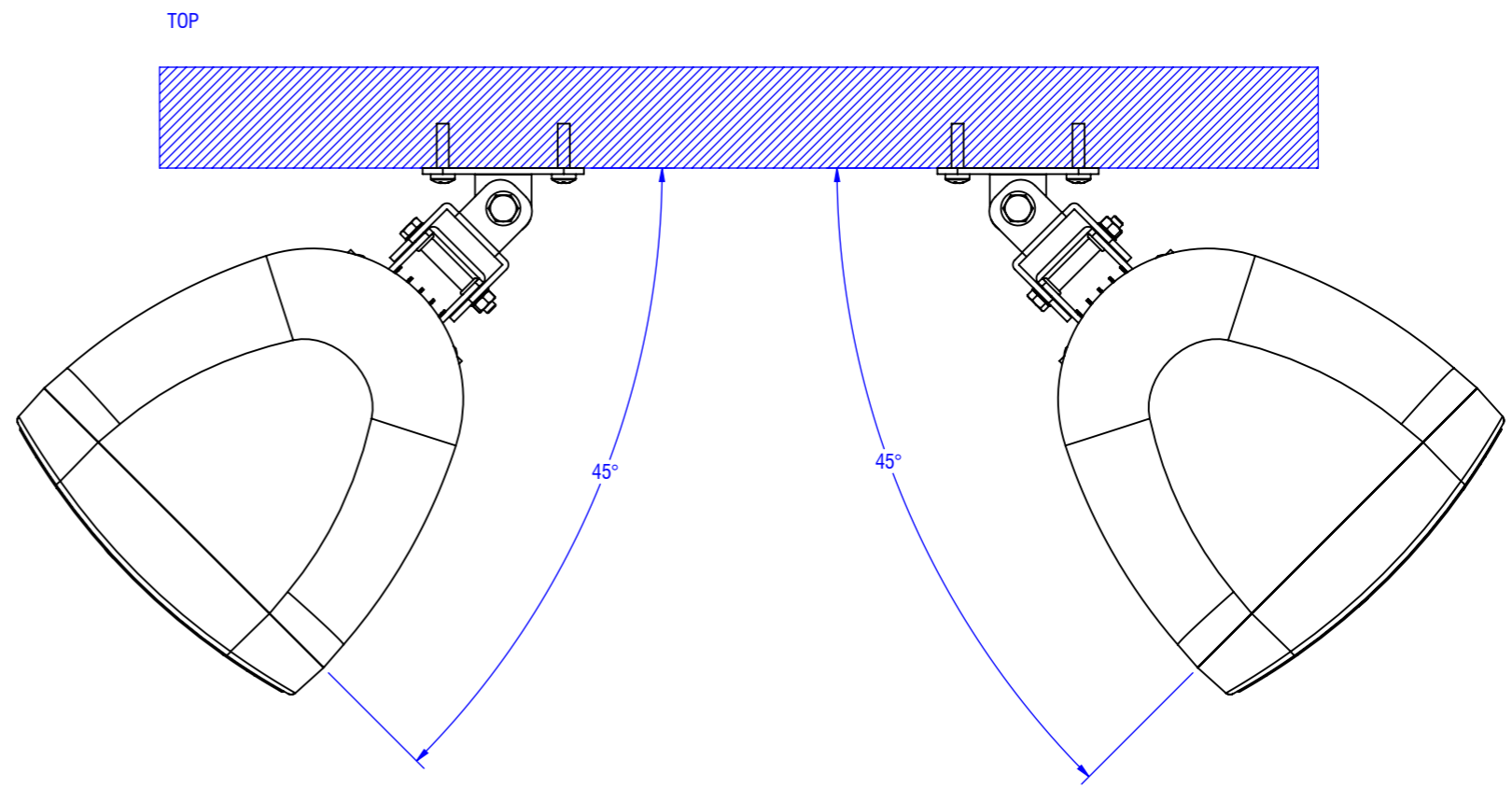
SHEET SIZE:
A3

SHEET:
1/3

VERTICAL MOUNTING



SIDE



TOP

HH ELECTRONICS LTD
 STEELPARK ROAD, COOMBS WOOD BUSINESS PARK,
 HALESOWEN, WEST MIDLANDS, B62 8HD, UK
 WWW.HHELECTRONICS.CO.UK

DESCRIPTION:
TNI-W6

STATE:
CUSTOMER INFORMATION

UNLESS OTHERWISE STATED:
 ALL DIMENSIONS ARE IN MILLIMETERS (mm)
 LINEAR TOLERANCE ± 0.5 ANGULAR TOLERANCE $\pm 1.0^\circ$

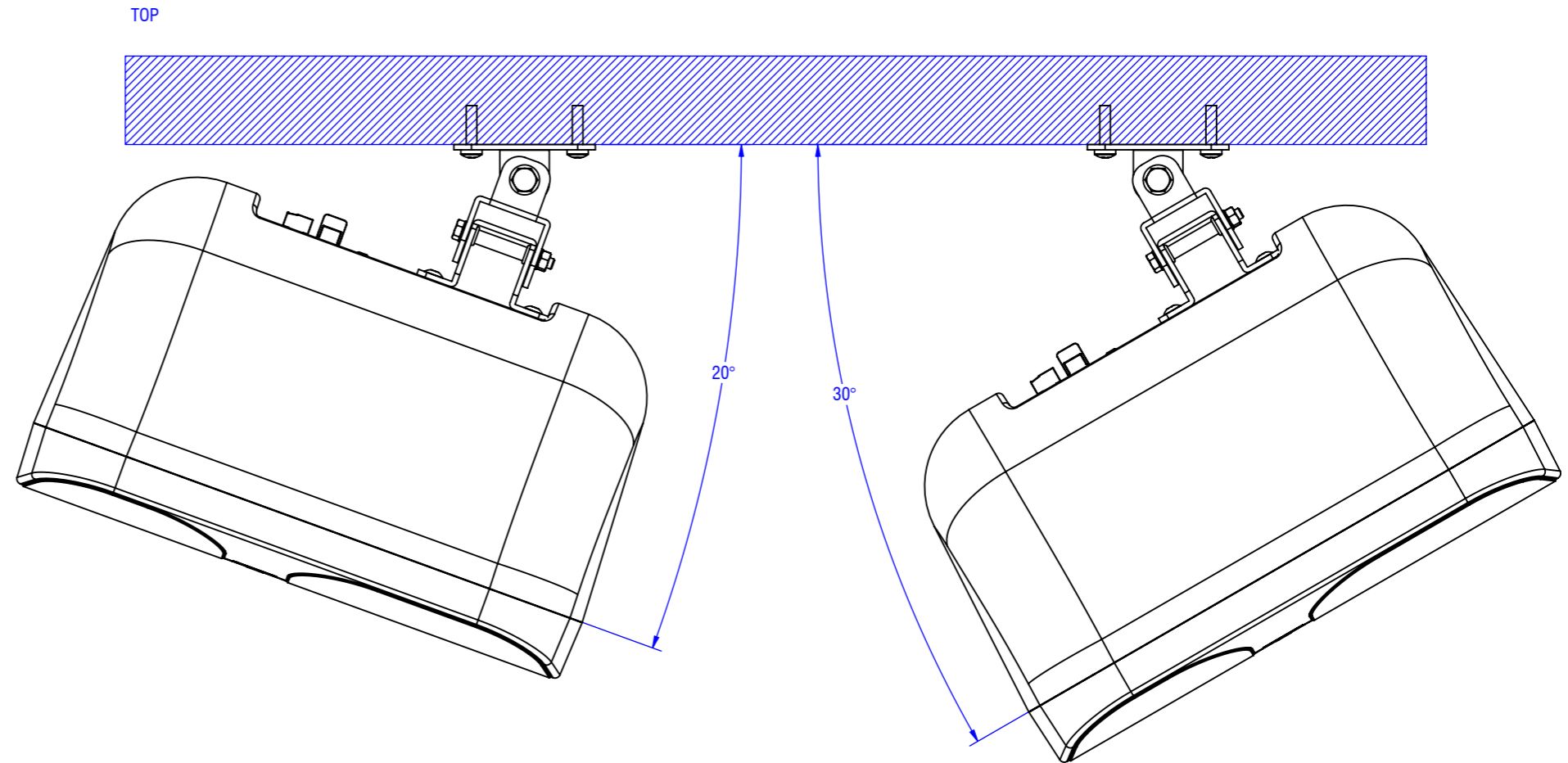
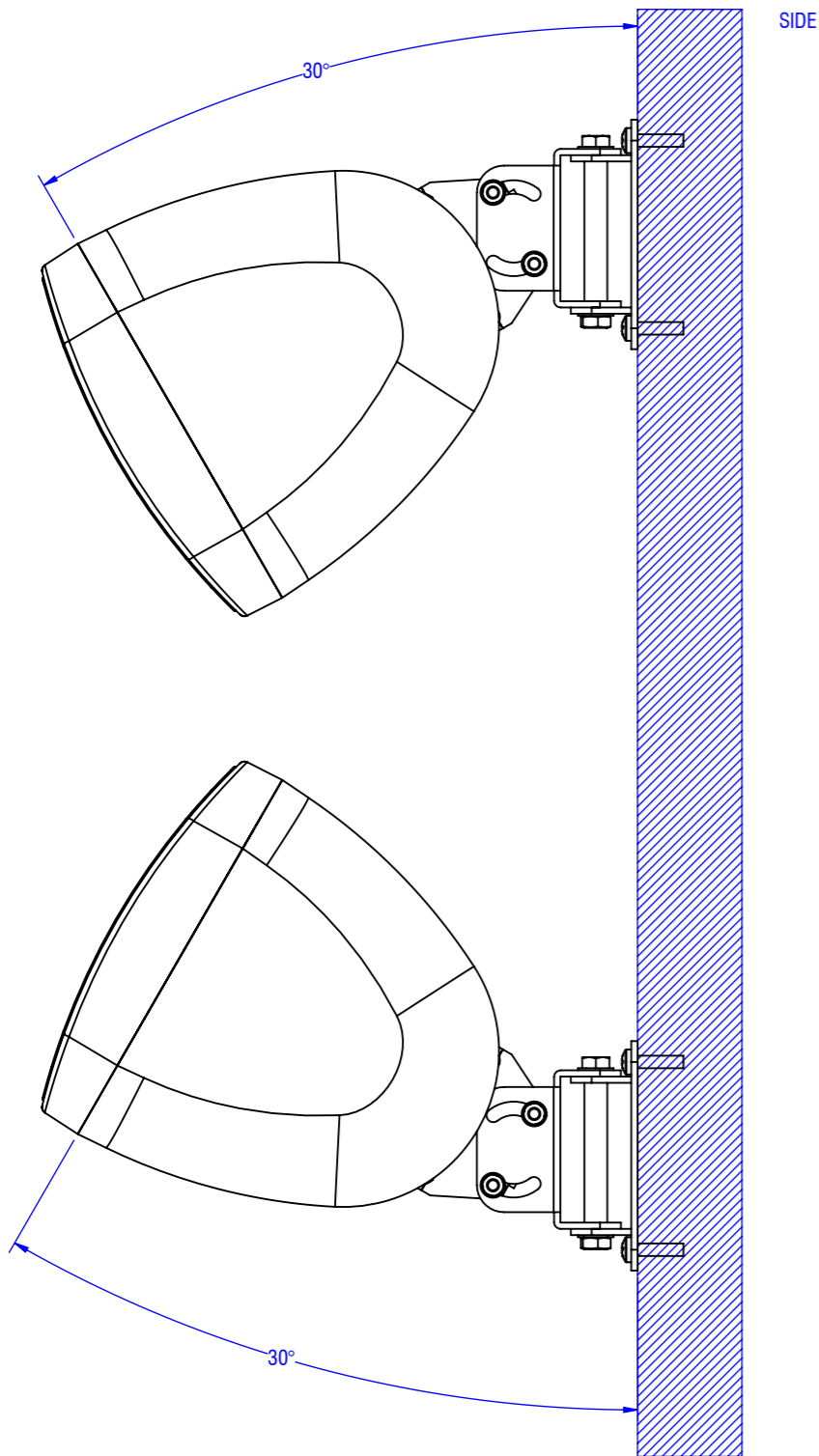
PROJECT TITLE:
INSTALLATION LOUDSPEAKERS

DRAWINGS SUPPLIED FOR
 REFERENCE ONLY

THIS DRAWING REMAINS THE PROPERTY OF HH ELECTRONICS LIMITED.
 THIS DRAWING, HARD COPY OR DIGITAL, AND ANY ATTACHMENTS ARE
 CONFIDENTIAL, LEGALLY PRIVILEGED AND PROTECTED BY COPYRIGHT.

DWG NO. 14646	REVISION: A.00
DATE: 04/03/2020	RELEASED BY: TB
SCALE: 1:3.5	SHEET SIZE: A3
	SHEET: 2/3

HORIZONTAL MOUNTING



DESCRIPTION:
TN1-W6

STATE:
CUSTOMER INFORMATION

UNLESS OTHERWISE STATED:
ALL DIMENSIONS ARE IN MILLIMETERS (mm)
LINEAR TOLERANCE ± 0.5 ANGULAR TOLERANCE $\pm 1.0^\circ$

PROJECT TITLE:
INSTALLATION LOUDSPEAKERS

DRAWINGS SUPPLIED FOR
REFERENCE ONLY

THIS DRAWING REMAINS THE PROPERTY OF HH ELECTRONICS LIMITED.
THIS DRAWING, HARD COPY OR DIGITAL, AND ANY ATTACHMENTS ARE
CONFIDENTIAL, LEGALLY PRIVILEGED AND PROTECTED BY COPYRIGHT.

DWG NO. 14646	REVISION: A.00
DATE: 04/03/2020	RELEASED BY: TB
SCALE: 1:3.5	SHEET SIZE: A3
	SHEET: 3/3