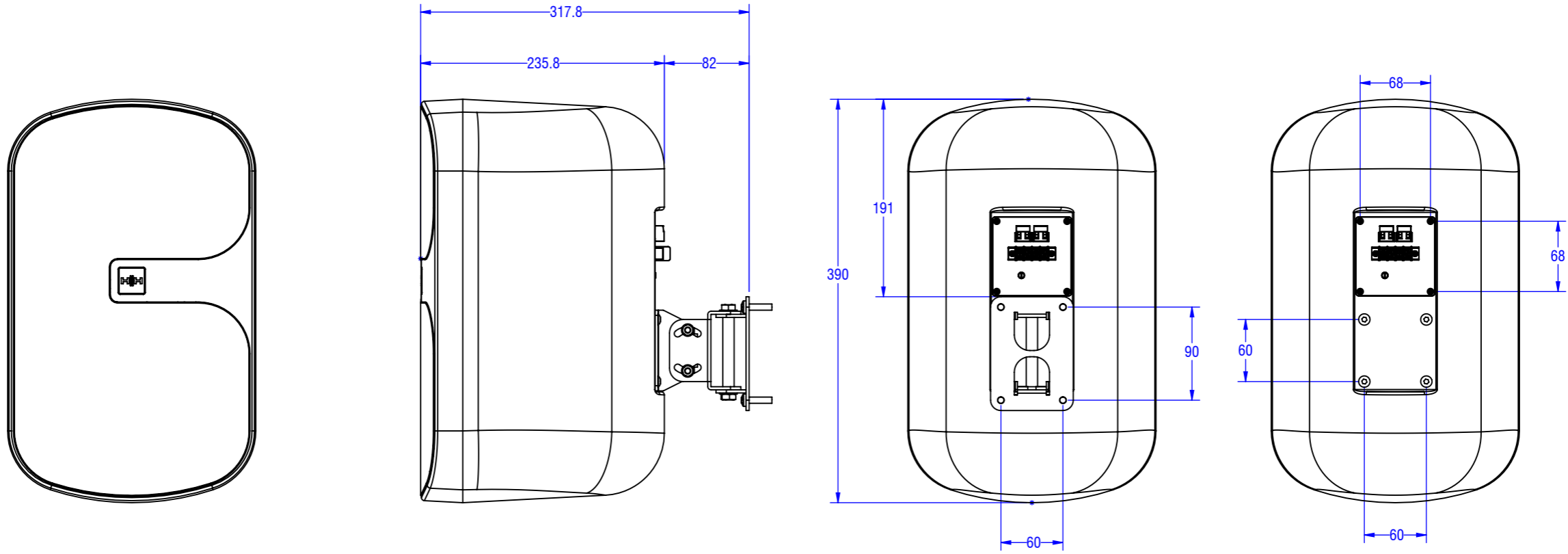
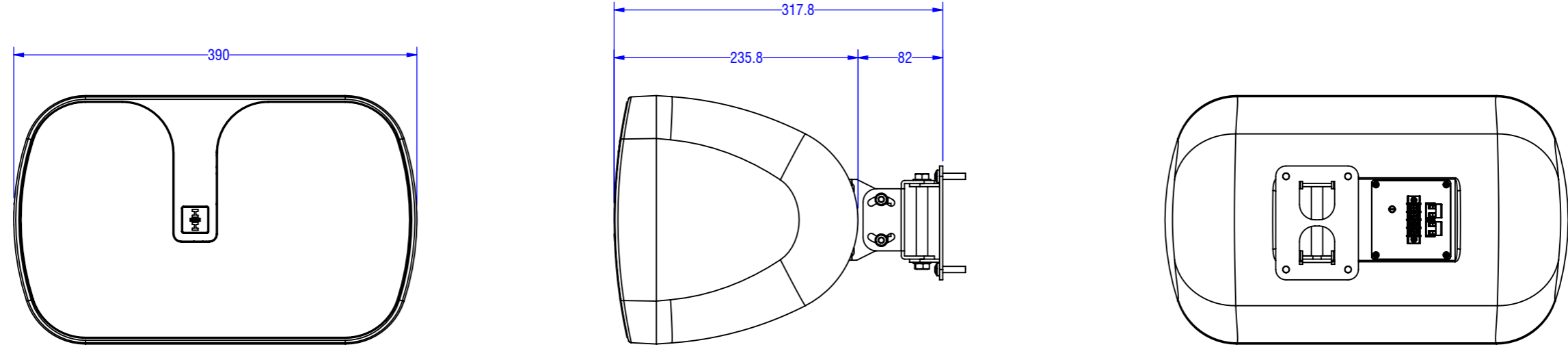


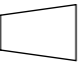


VERTICAL MOUNTING

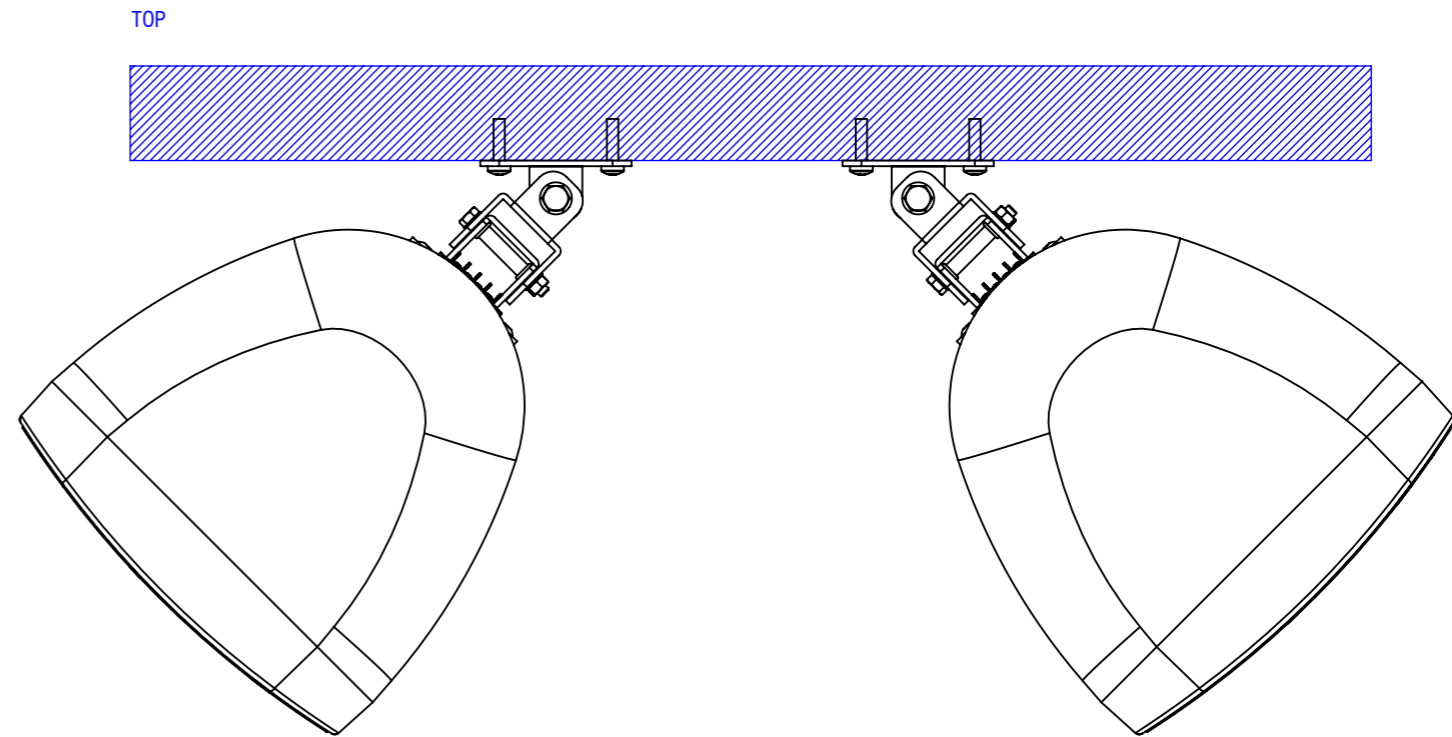
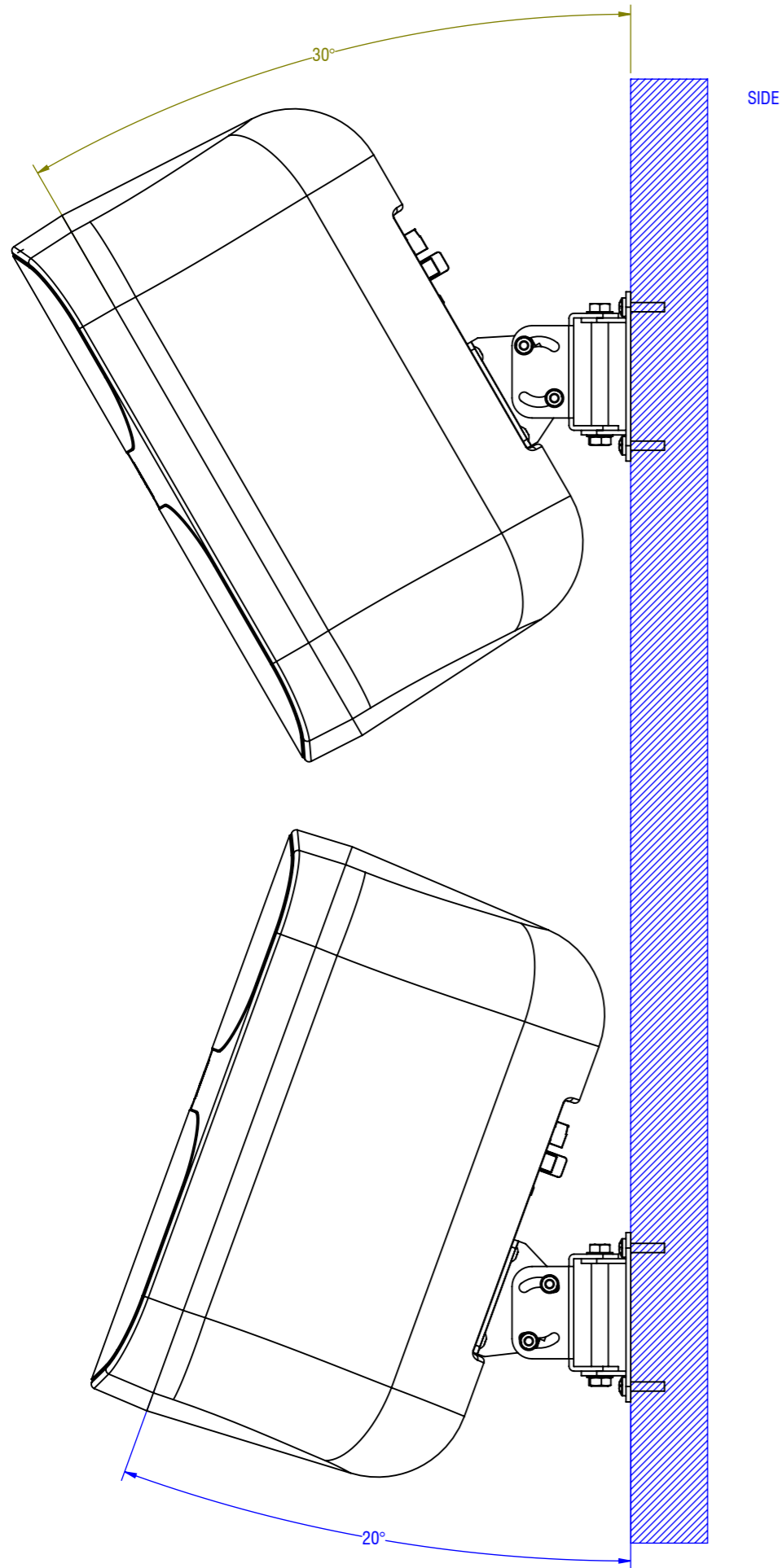


HORIZONTAL MOUNTING



 HH ELECTRONICS LTD STEELPARK ROAD, COOMBS WOOD BUSINESS PARK, HALESOWEN, WEST MIDLANDS, B62 8HD, UK WWW.HHELECTRONICS.CO.UK	DESCRIPTION: <b>TN1-W8</b>	PROJECT TITLE: <b>INSTALLATION LOUDSPEAKERS</b>	DWG NO. <b>14647</b>	REVISION: <b>A.00</b>
	STATE: <b>CUSTOMER INFORMATION</b>	DRAWINGS SUPPLIED FOR REFERENCE ONLY	DATE: <b>04/03/2020</b>	RELEASED BY: <b>TB</b>
	  UNLESS OTHERWISE STATED: ALL DIMENSIONS ARE IN MILLIMETERS (mm) LINEAR TOLERANCE $\pm 0.5$ ANGULAR TOLERANCE $\pm 1.0^\circ$	THIS DRAWING REMAINS THE PROPERTY OF HH ELECTRONICS LIMITED. THIS DRAWING, HARD COPY OR DIGITAL, AND ANY ATTACHMENTS ARE CONFIDENTIAL, LEGALLY PRIVILEGED AND PROTECTED BY COPYRIGHT.	SCALE: <b>1:5</b>	SHEET SIZE: <b>A3</b>

# VERTICAL MOUNTING



DESCRIPTION:  
**TNI-W8**

STATE:  
**CUSTOMER INFORMATION**

UNLESS OTHERWISE STATED:  
 ALL DIMENSIONS ARE IN MILLIMETERS (mm)  
 LINEAR TOLERANCE  $\pm 0.5$  ANGULAR TOLERANCE  $\pm 1.0^\circ$

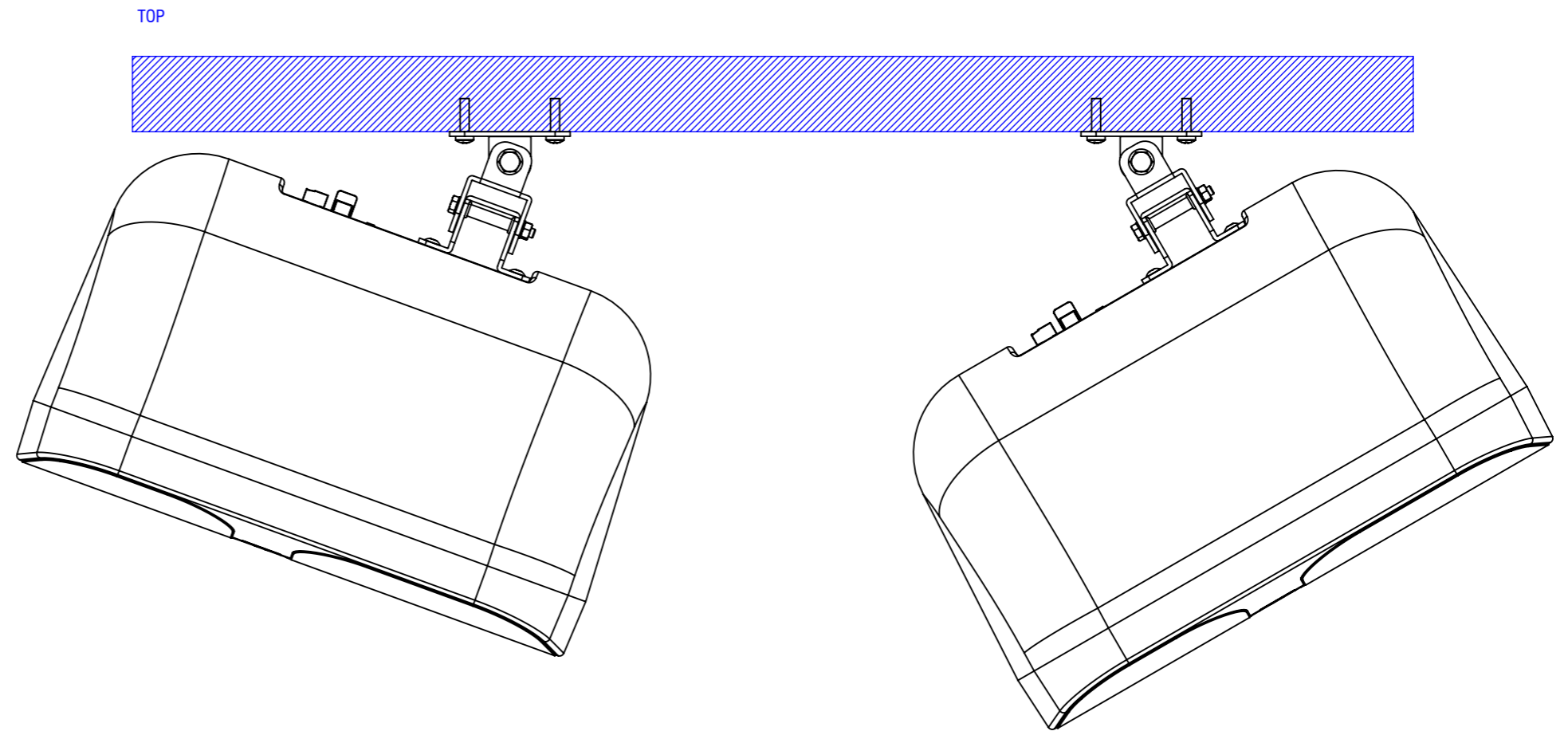
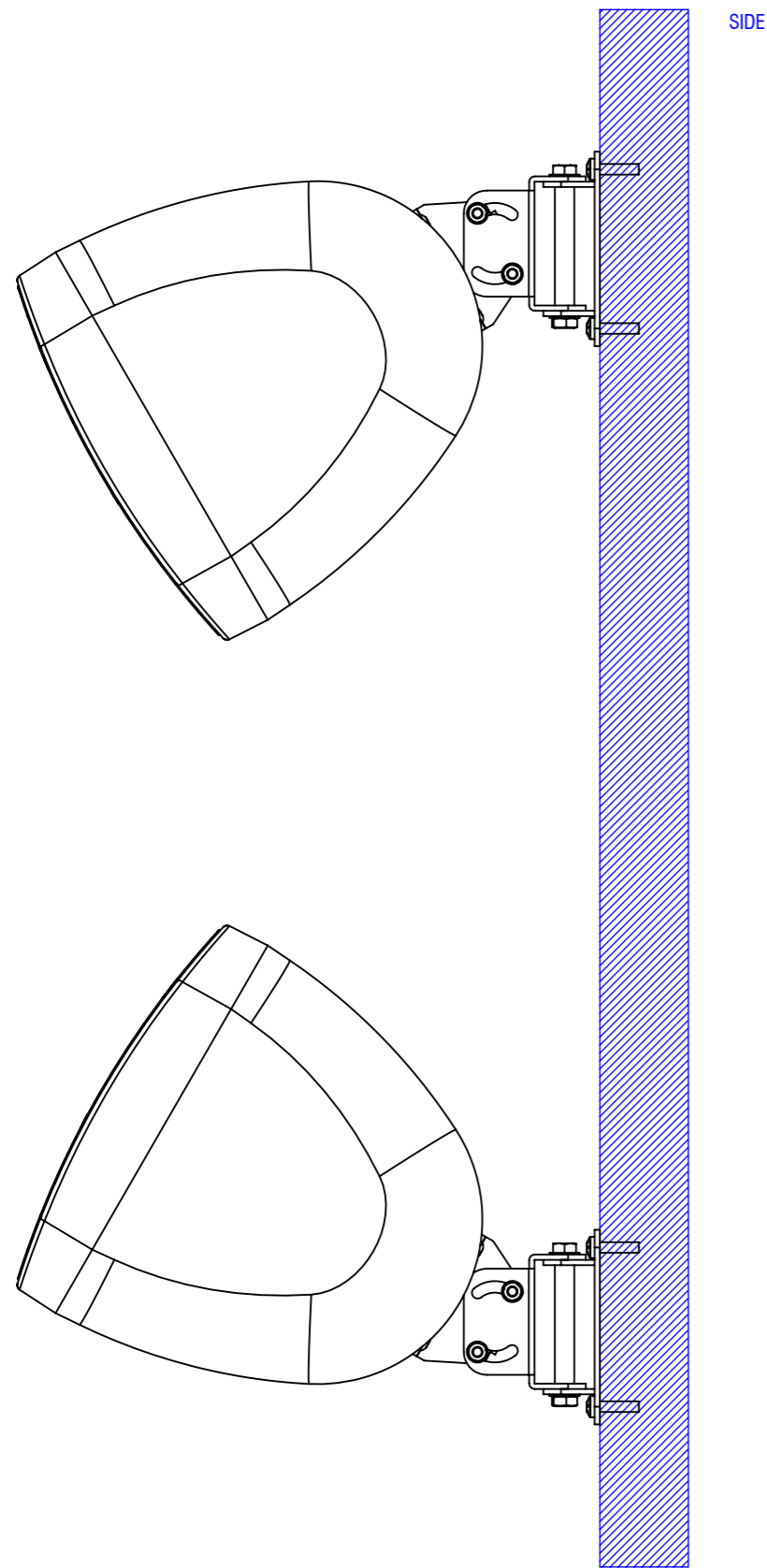
PROJECT TITLE:  
**INSTALLATION LOUDSPEAKERS**

DRAWINGS SUPPLIED FOR  
 REFERENCE ONLY

THIS DRAWING REMAINS THE PROPERTY OF HH ELECTRONICS LIMITED.  
 THIS DRAWING, HARD COPY OR DIGITAL, AND ANY ATTACHMENTS ARE  
 CONFIDENTIAL, LEGALLY PRIVILEGED AND PROTECTED BY COPYRIGHT.

DWG NO. <b>14647</b>	REVISION: <b>A.00</b>
DATE: <b>04/03/2020</b>	RELEASED BY: <b>TB</b>
SCALE: <b>1:4</b>	SHEET: <b>2/3</b>

# HORIZONTAL MOUNTING



DESCRIPTION:  
**TN1-W8**

STATE:  
**CUSTOMER INFORMATION**

UNLESS OTHERWISE STATED:  
ALL DIMENSIONS ARE IN MILLIMETERS (mm)  
LINEAR TOLERANCE  $\pm 0.5$  ANGULAR TOLERANCE  $\pm 1.0^\circ$

PROJECT TITLE:  
**INSTALLATION LOUDSPEAKERS**

DRAWINGS SUPPLIED FOR  
REFERENCE ONLY

THIS DRAWING REMAINS THE PROPERTY OF HH ELECTRONICS LIMITED.  
THIS DRAWING, HARD COPY OR DIGITAL, AND ANY ATTACHMENTS ARE  
CONFIDENTIAL, LEGALLY PRIVILEGED AND PROTECTED BY COPYRIGHT.

DWG NO. <b>14647</b>	REVISION: <b>A.00</b>
DATE: <b>04/03/2020</b>	RELEASED BY: <b>TB</b>
SCALE: <b>1:4</b>	SHEET: <b>3/3</b>