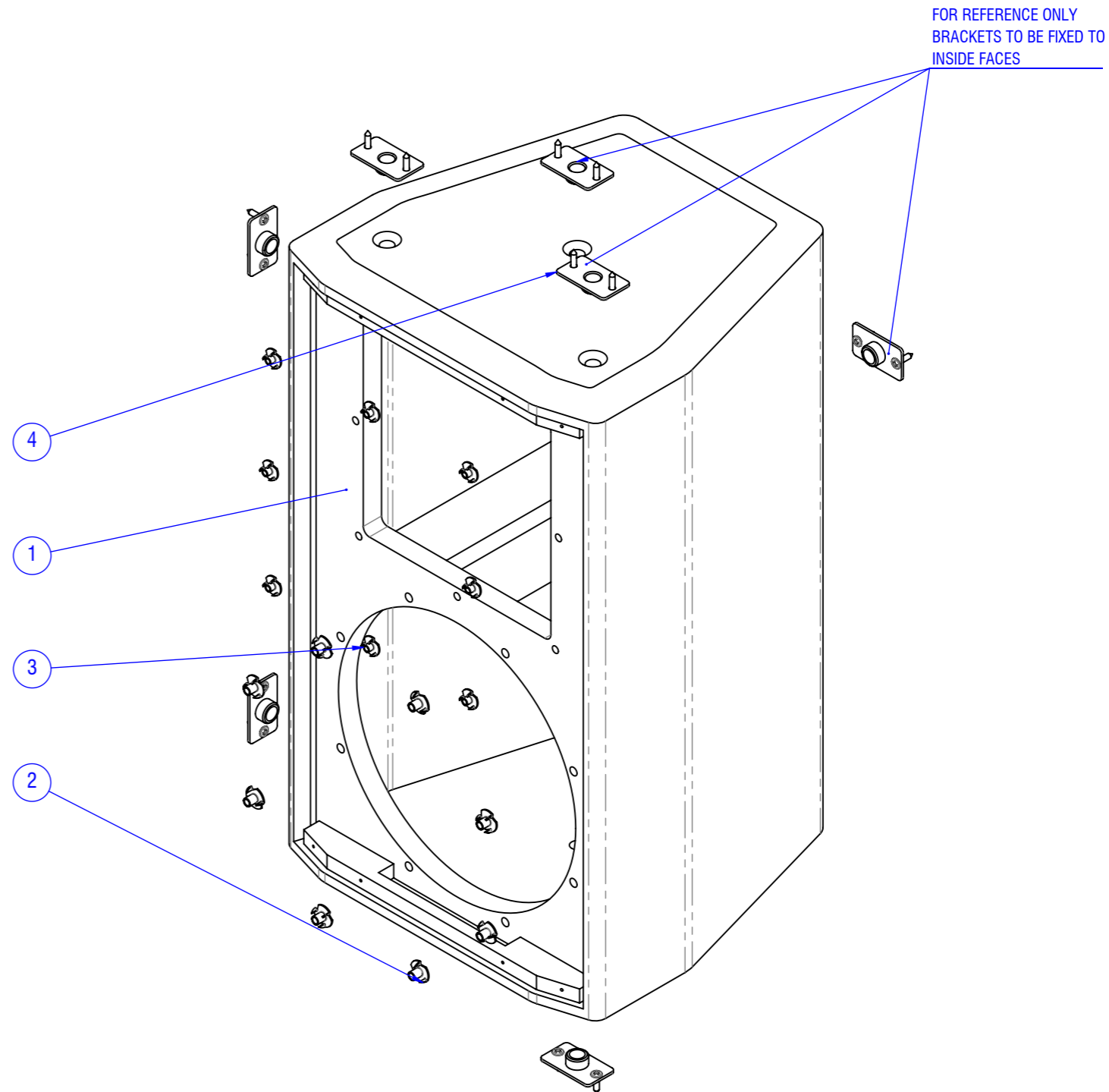
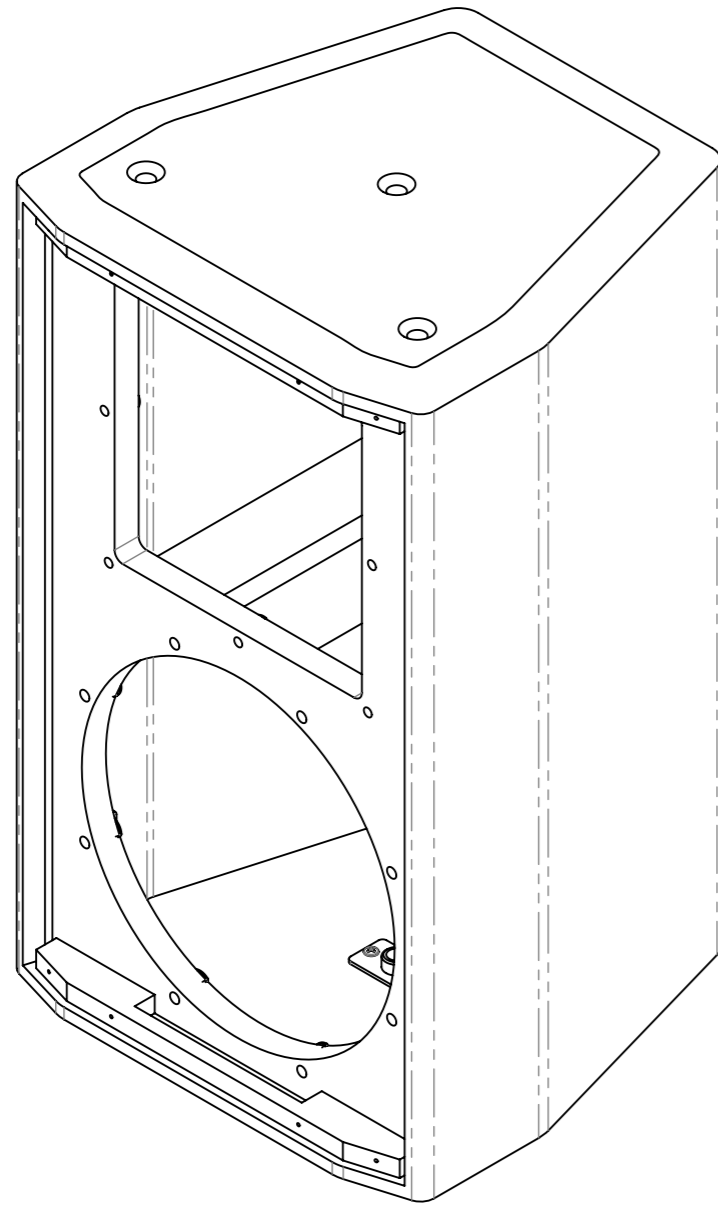


ITEM NO.	Part Number	DESCRIPTION	Revision	QTY.
1	MCM016380	Cabinet MCM016379 - Finished Black	1	1
2	008211	M5 - 3 Pronged Tee Nut - BZP	-	8
3	MCM002866	M4 - 3 Pronged Tee Nut - BZP	-	8
4	MCM015109	AAY0327 M10 Single Flying Bracket	-	7
5	MCM014936	(No.8) 4mm x 16mm - Pan Head - Cross - Wood Screw - BZP	-	14



DESCRIPTION:
CABINET ASSEMBLY - BLACK

STATE:
RELEASED

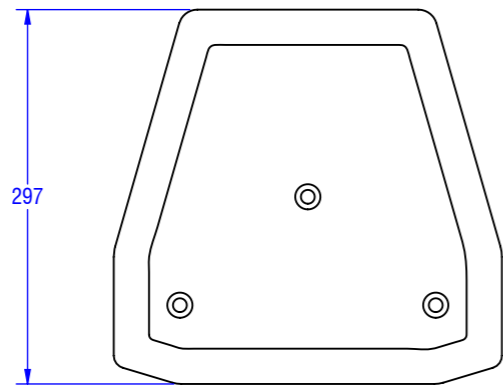
UNLESS OTHERWISE STATED:
ALL DIMENSIONS ARE IN MILLIMETERS (mm)
LINEAR TOLERANCE ± 0.5 ANGULAR TOLERANCE $\pm 1.0^\circ$

PROJECT TITLE:
TNI-W10PRO

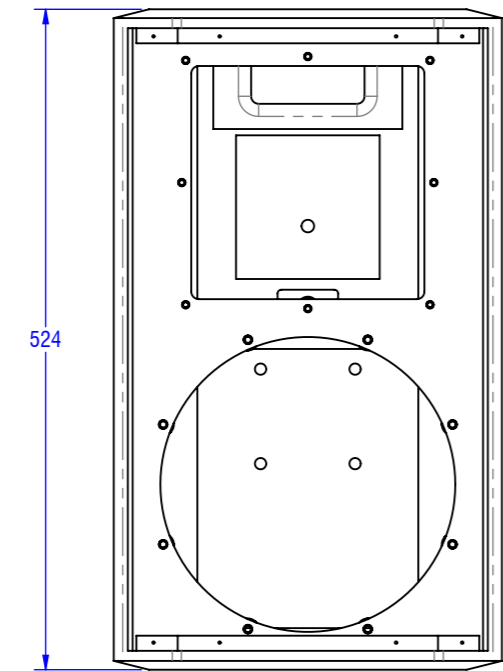
REFER TO 3D MODEL FOR FULL DIMENSIONAL DATA

THIS DRAWING REMAINS THE PROPERTY OF HH ELECTRONICS LIMITED.
THIS DRAWING, HARD COPY OR DIGITAL, AND ANY ATTACHMENTS ARE
CONFIDENTIAL, LEGALLY PRIVILEGED AND PROTECTED BY COPYRIGHT.

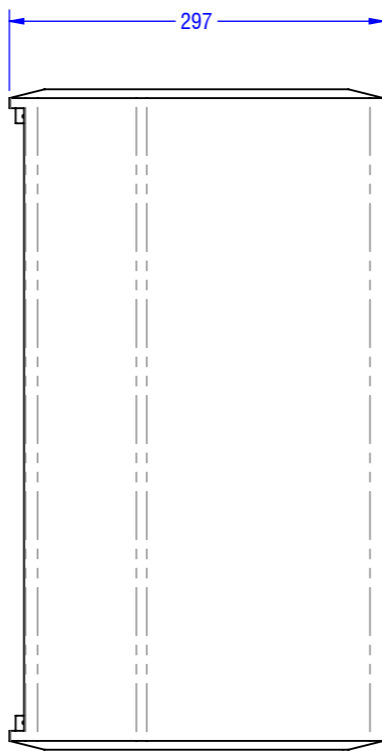
DWG NO. MCA016373	REVISION: 1
DATE: 13/07/2023	RELEASED BY: TB
SCALE: 1:4	SHEET SIZE: A3
	SHEET: 1/2



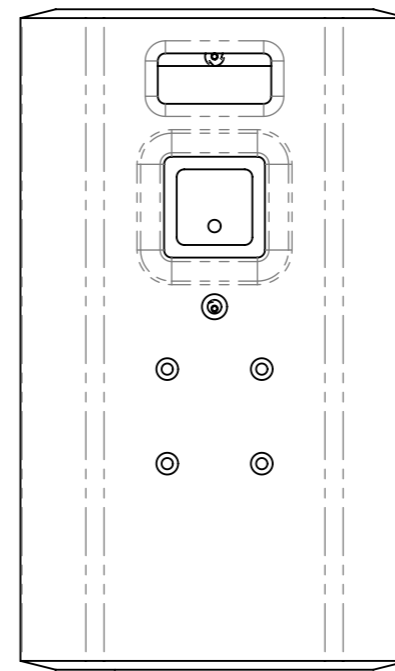
TOP



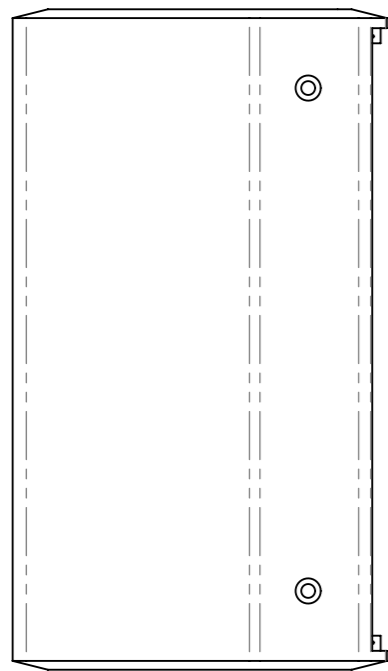
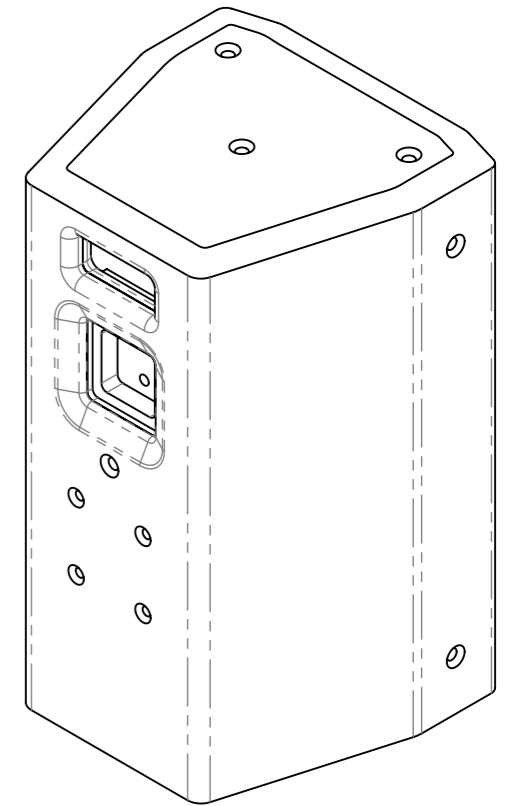
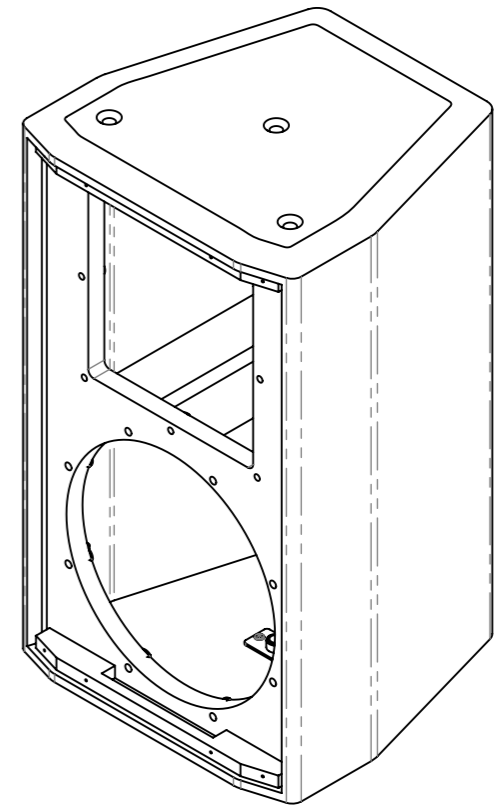
FRONT



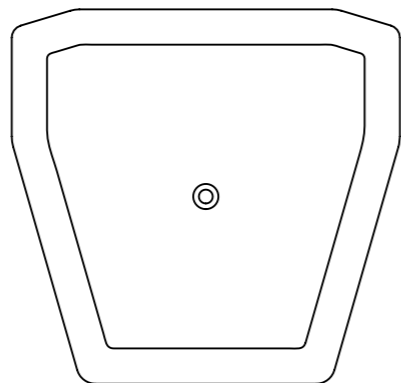
RIGHT



REAR





LEFT



BASE



HH ELECTRONICS LTD
 STEELPARK ROAD, COOMBS WOOD BUSINESS PARK,
 HALESOWEN, WEST MIDLANDS, B62 8HD, UK
 WWW.HHELECTRONICS.CO.UK

DESCRIPTION: CABINET ASSEMBLY - BLACK	PROJECT TITLE: TNI-W10PRO
STATE: RELEASED	REFER TO 3D MODEL FOR FULL DIMENSIONAL DATA
  UNLESS OTHERWISE STATED: ALL DIMENSIONS ARE IN MILLIMETERS (mm) LINEAR TOLERANCE ± 0.5 ANGULAR TOLERANCE $\pm 1.0^\circ$	THIS DRAWING REMAINS THE PROPERTY OF HH ELECTRONICS LIMITED. THIS DRAWING, HARD COPY OR DIGITAL, AND ANY ATTACHMENTS ARE CONFIDENTIAL, LEGALLY PRIVILEGED AND PROTECTED BY COPYRIGHT.

DWG NO. MCA016373	REVISION: 1
DATE: 13/07/2023	RELEASED BY: TB
SCALE: 1:6	SHEET SIZE: A3
	SHEET: 2/2