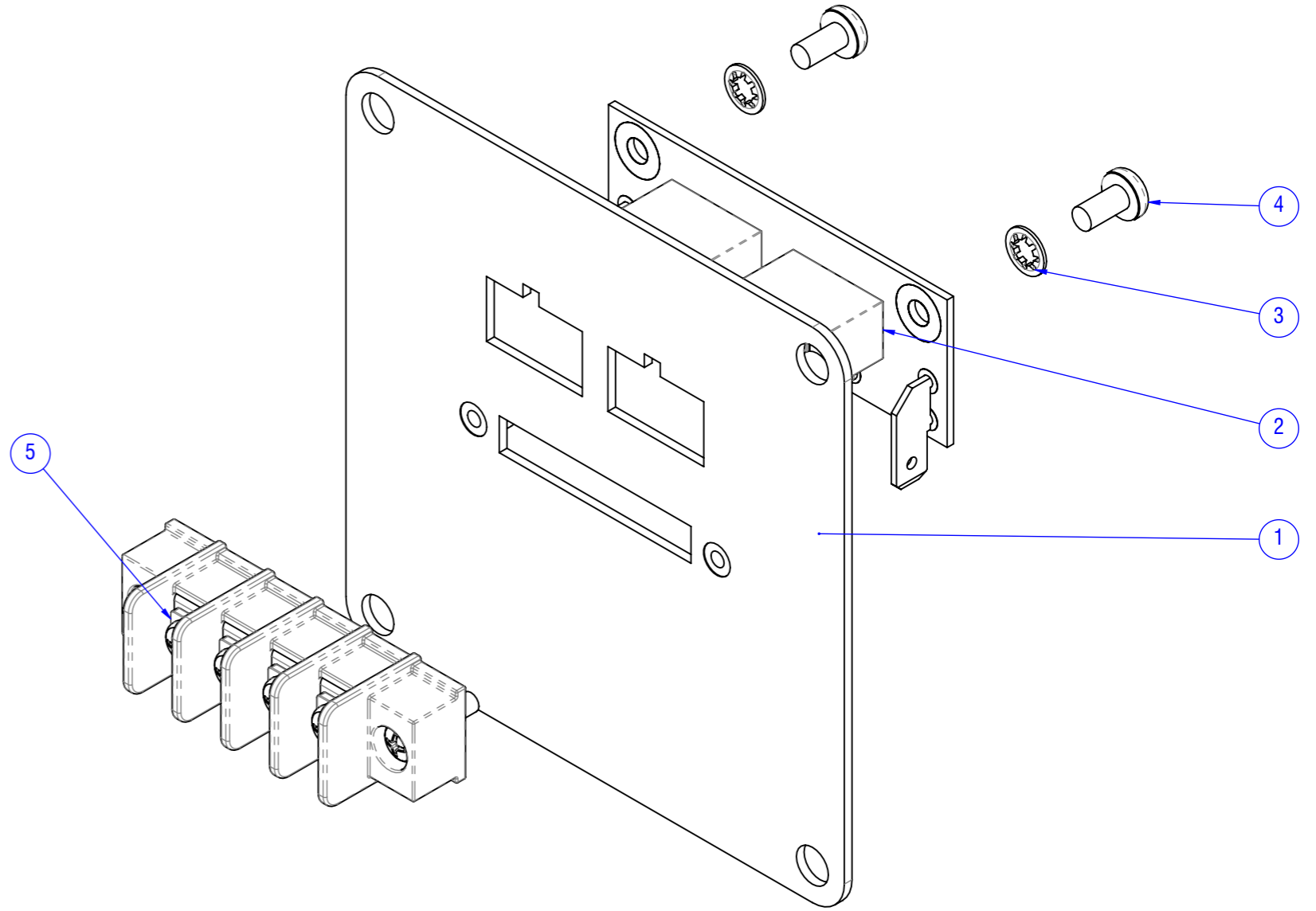
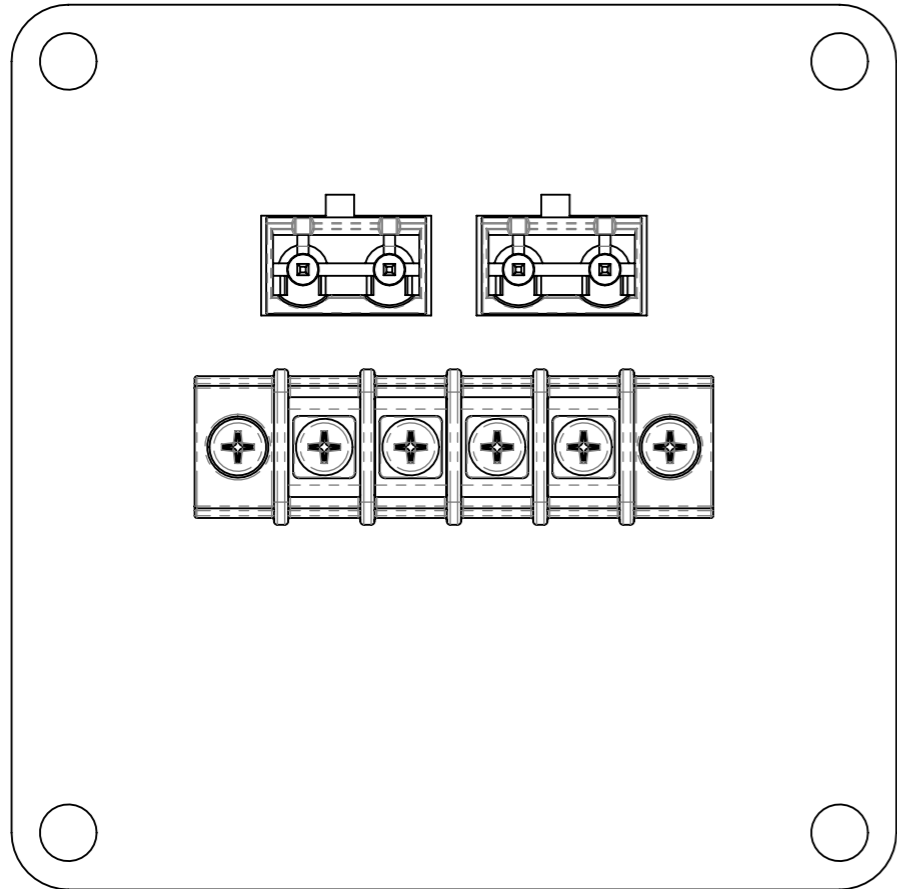


ITEM NO.	Part Number	DESCRIPTION	Revision	QTY.
1	MCM016374	TNi-W10PRO - MCM015191 Painted & Printed - Artwork MCD015207	2	1
2	MCA015120	Input PCB Assembly	1	1
3	009151	M3 - Internal - Shakeproof Washer - BZP	-	2
4	008206	M3 x 6mm - Pan Head - Cross - Machine Screw - BZP	-	2
5	MCE015200	M4 Screw Barrier Terminal (4W) 7.68mm Pitch	-	1



HH ELECTRONICS LTD
 STEELPARK ROAD, COOMBS WOOD BUSINESS PARK,
 HALESOWEN, WEST MIDLANDS, B62 8HD, UK
 WWW.HHELECTRONICS.CO.UK

DESCRIPTION:
 REAR PANEL ASSEMBLY - TNi-W10PRO

STATE:
 RELEASED



UNLESS OTHERWISE STATED:
 ALL DIMENSIONS ARE IN MILLIMETERS (mm)
 LINEAR TOLERANCE ±0.5 ANGULAR TOLERANCE ±1.0°

PROJECT TITLE:
 TNi-W10PRO

REFER TO 3D MODEL FOR FULL DIMENSIONAL DATA

THIS DRAWING REMAINS THE PROPERTY OF HH ELECTRONICS LIMITED.
 THIS DRAWING, HARD COPY OR DIGITAL, AND ANY ATTACHMENTS ARE
 CONFIDENTIAL, LEGALLY PRIVILEGED AND PROTECTED BY COPYRIGHT.

DWG NO.
 MCA016378

DATE:
 12/07/2023

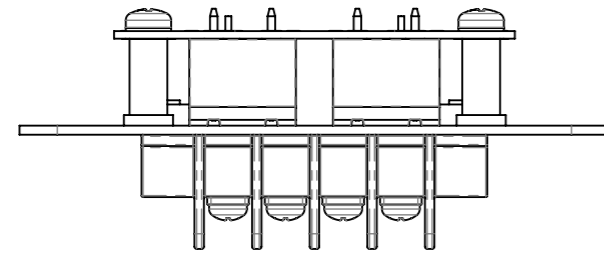
SCALE:
 1.5:1

REVISION:
 2

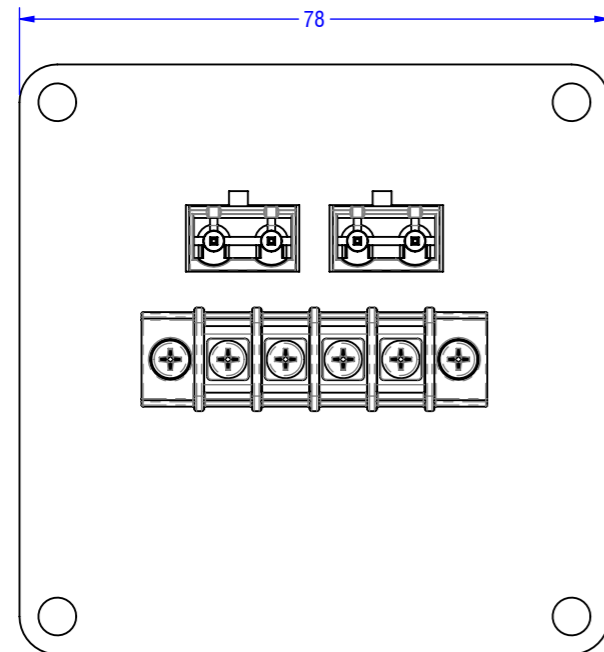
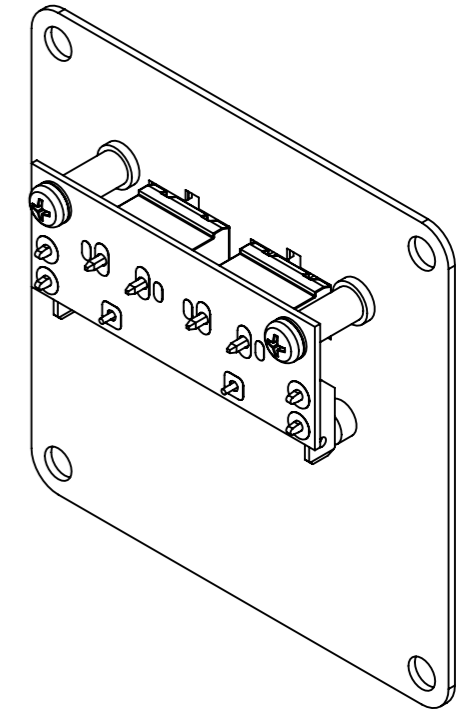
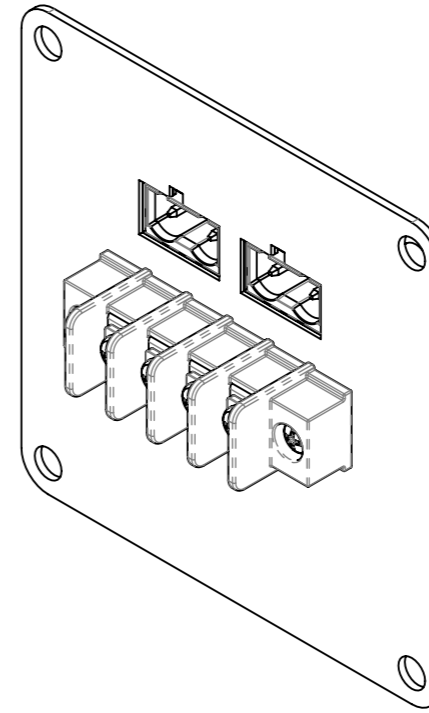
RELEASED BY:
 TB

SHEET SIZE:
 A3

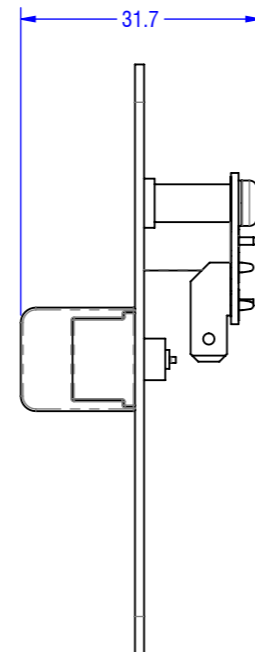
SHEET:
 1/2



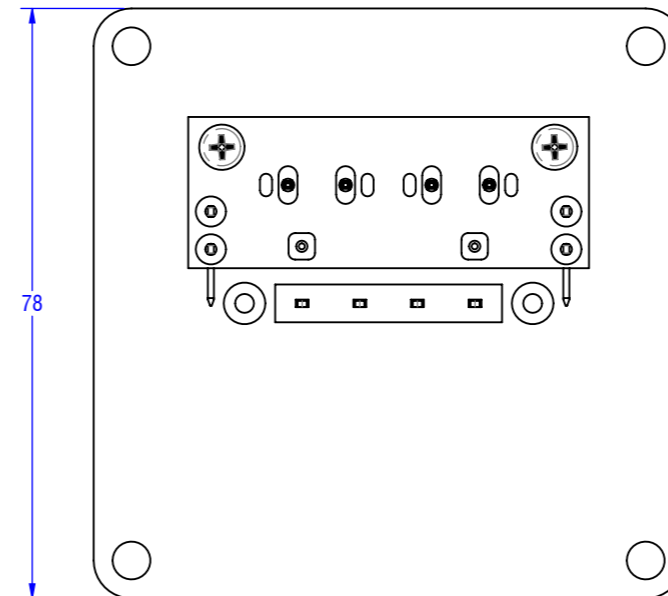
TOP



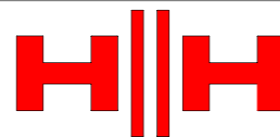
FRONT



RIGHT



REAR



HH ELECTRONICS LTD
 STEELPARK ROAD, COOMBS WOOD BUSINESS PARK,
 HALESOWEN, WEST MIDLANDS, B62 8HD, UK
 WWW.HHELECTRONICS.CO.UK

DESCRIPTION:
 REAR PANEL ASSEMBLY - TNI-W10PRO

STATE:
 RELEASED



UNLESS OTHERWISE STATED:
 ALL DIMENSIONS ARE IN MILLIMETERS (mm)
 LINEAR TOLERANCE ± 0.5 ANGULAR TOLERANCE $\pm 1.0^\circ$

PROJECT TITLE:
 TNI-W10PRO

REFER TO 3D MODEL FOR FULL DIMENSIONAL DATA

THIS DRAWING REMAINS THE PROPERTY OF HH ELECTRONICS LIMITED.
 THIS DRAWING, HARD COPY OR DIGITAL, AND ANY ATTACHMENTS ARE
 CONFIDENTIAL, LEGALLY PRIVILEGED AND PROTECTED BY COPYRIGHT.

DWG NO.
 MCA016378

DATE:
 12/07/2023

SCALE:
 1:1

SHEET SIZE:
 A3

REVISION:
 2

RELEASED BY:
 TB

SHEET:
 2/2