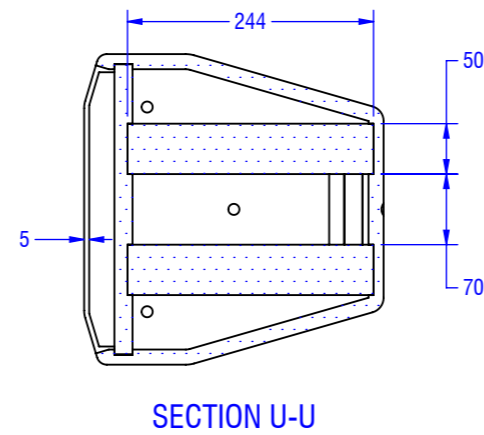
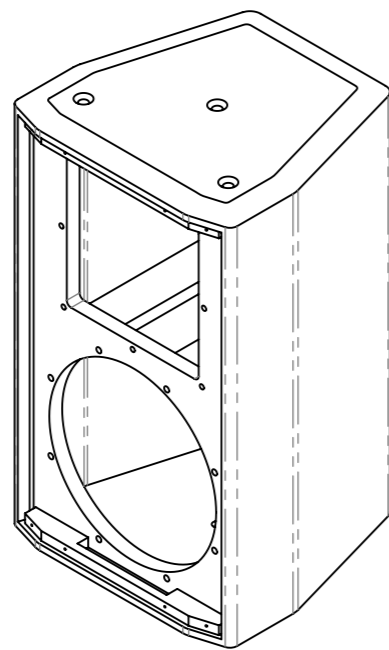
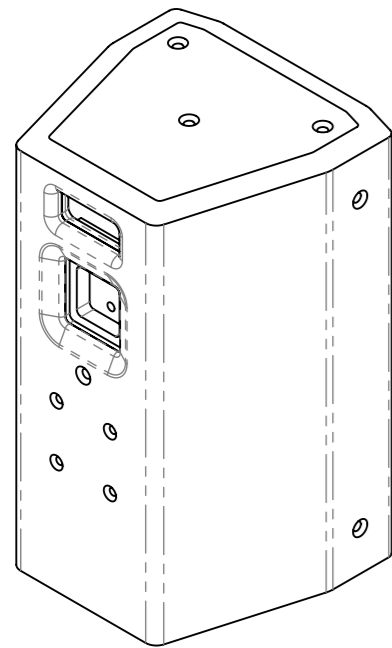
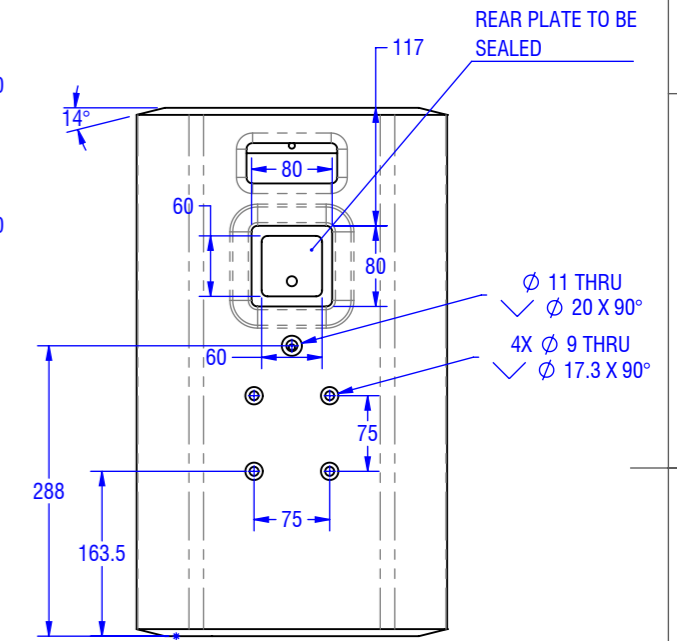
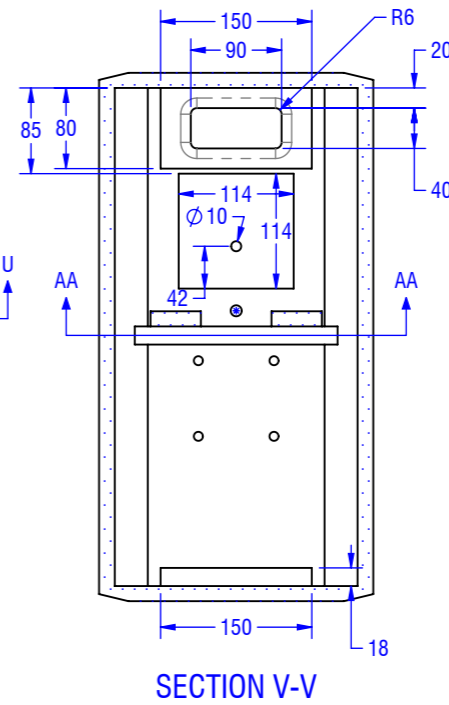
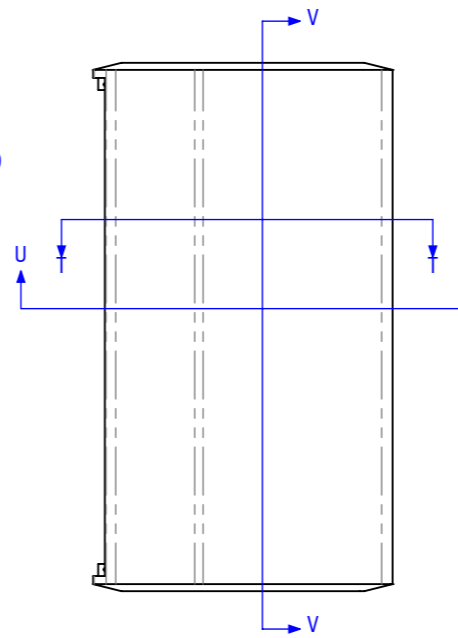
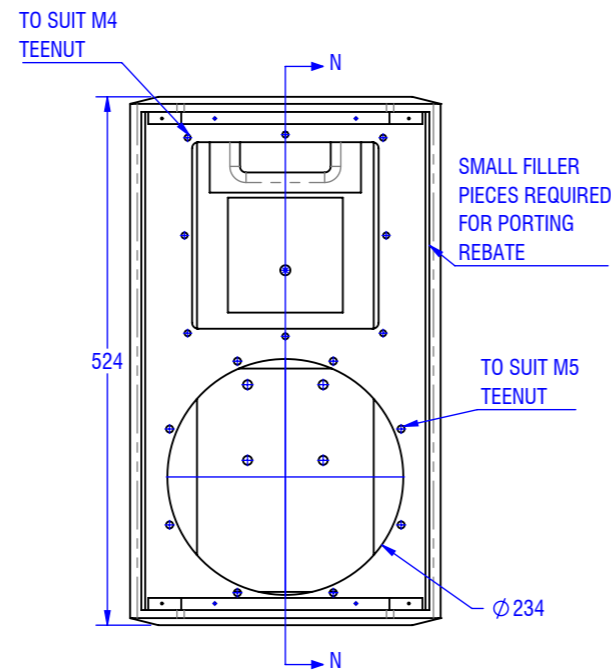
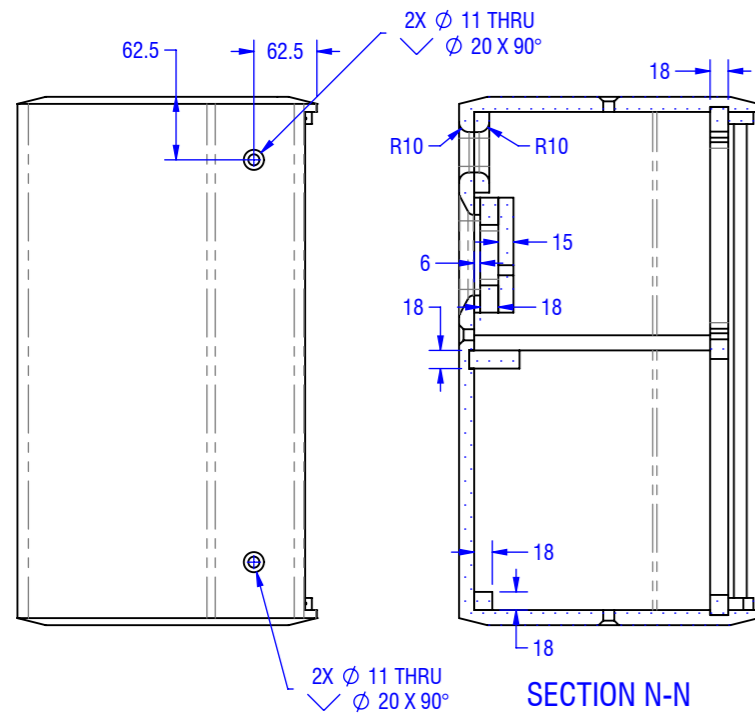
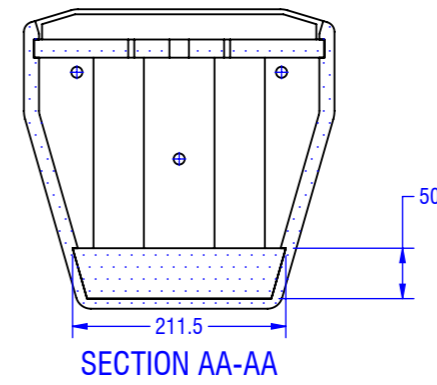
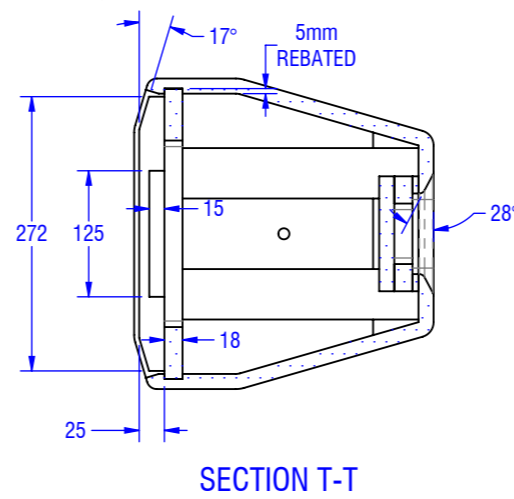
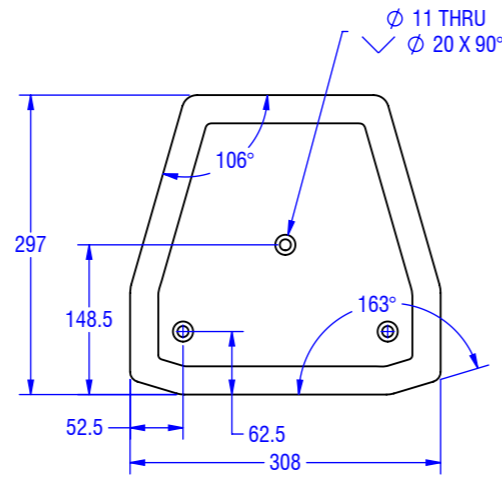


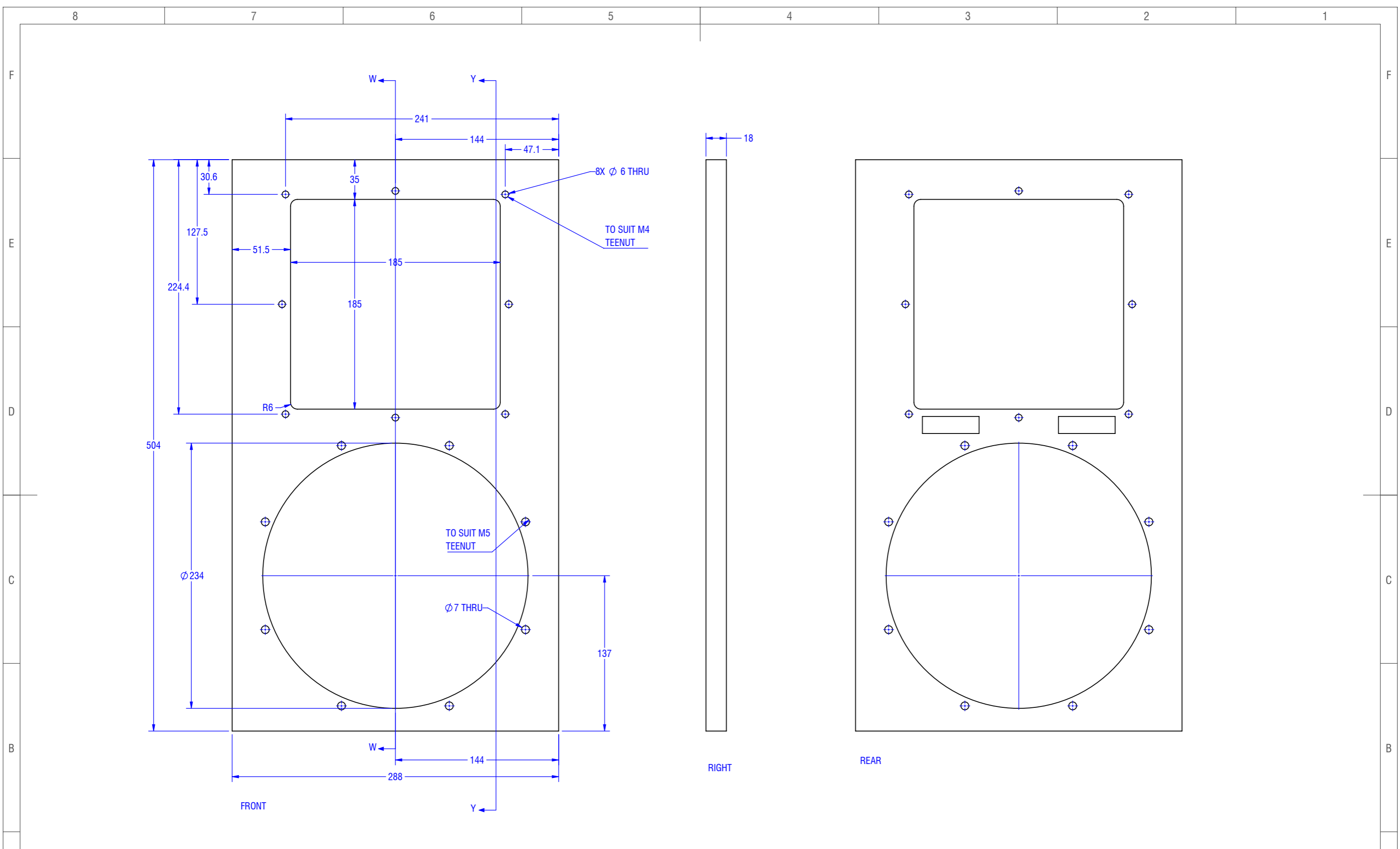
MATERIALS:	
OUTER CARCASS SIDES:	15mm PLYWOOD
OUTER CARCASS TOP & BASE	15mm PLYWOOD
FIXED BAFFLE & SUPPORTS	18mm MDF
REAR PLATE SUPPORT	6mm, 15mm & 18mm MDF
CENTRE SUPPORT	15MM MDF
CABINET CARCASS:	SPLATTER PAINT BLACK/WHITE

- NOTES
- FRONT BAFFLE REBATED 5mm INTO THE SIDES.
 - INTERNAL SUPPORT BLOCKS CAN BE ADDED.
 - EXTERNAL EDGES RADIUSED WHERE INDICATED.
 - ALL JOINTS TO BE GLUED AND PINNED.
 - TEE NUTS TO BE USED FOR THE SPEAKER BOLTS.



DESCRIPTION: CABINET	PROJECT TITLE: TNI-W10PRO
STATE: RELEASED	REFER TO 3D MODEL FOR FULL DIMENSIONAL DATA
UNLESS OTHERWISE STATED: ALL DIMENSIONS ARE IN MILLIMETERS (mm) LINEAR TOLERANCE ±0.5 ANGULAR TOLERANCE ±1.0°	THIS DRAWING REMAINS THE PROPERTY OF HH ELECTRONICS LIMITED. THIS DRAWING, HARD COPY OR DIGITAL, AND ANY ATTACHMENTS ARE CONFIDENTIAL, LEGALLY PRIVILEGED AND PROTECTED BY COPYRIGHT.

DWG NO. MCM016379	REVISION: TB
DATE: 12/07/2023	RELEASED BY: TB
SCALE: 1:7.5	SHEET SIZE: A3
	SHEET: 1/2



DESCRIPTION: CABINET	PROJECT TITLE: TNI-W10PRO	DWG NO. MCM016379	REVISION:
STATE: RELEASED	REFER TO 3D MODEL FOR FULL DIMENSIONAL DATA	DATE: 12/07/2023	RELEASED BY: TB
UNLESS OTHERWISE STATED: ALL DIMENSIONS ARE IN MILLIMETERS (mm) LINEAR TOLERANCE ±0.5 ANGULAR TOLERANCE ±1.0°	THIS DRAWING REMAINS THE PROPERTY OF HH ELECTRONICS LIMITED. THIS DRAWING, HARD COPY OR DIGITAL, AND ANY ATTACHMENTS ARE CONFIDENTIAL, LEGALLY PRIVILEGED AND PROTECTED BY COPYRIGHT.	SCALE: 1:3	SHEET SIZE: A3
			SHEET: 2/2