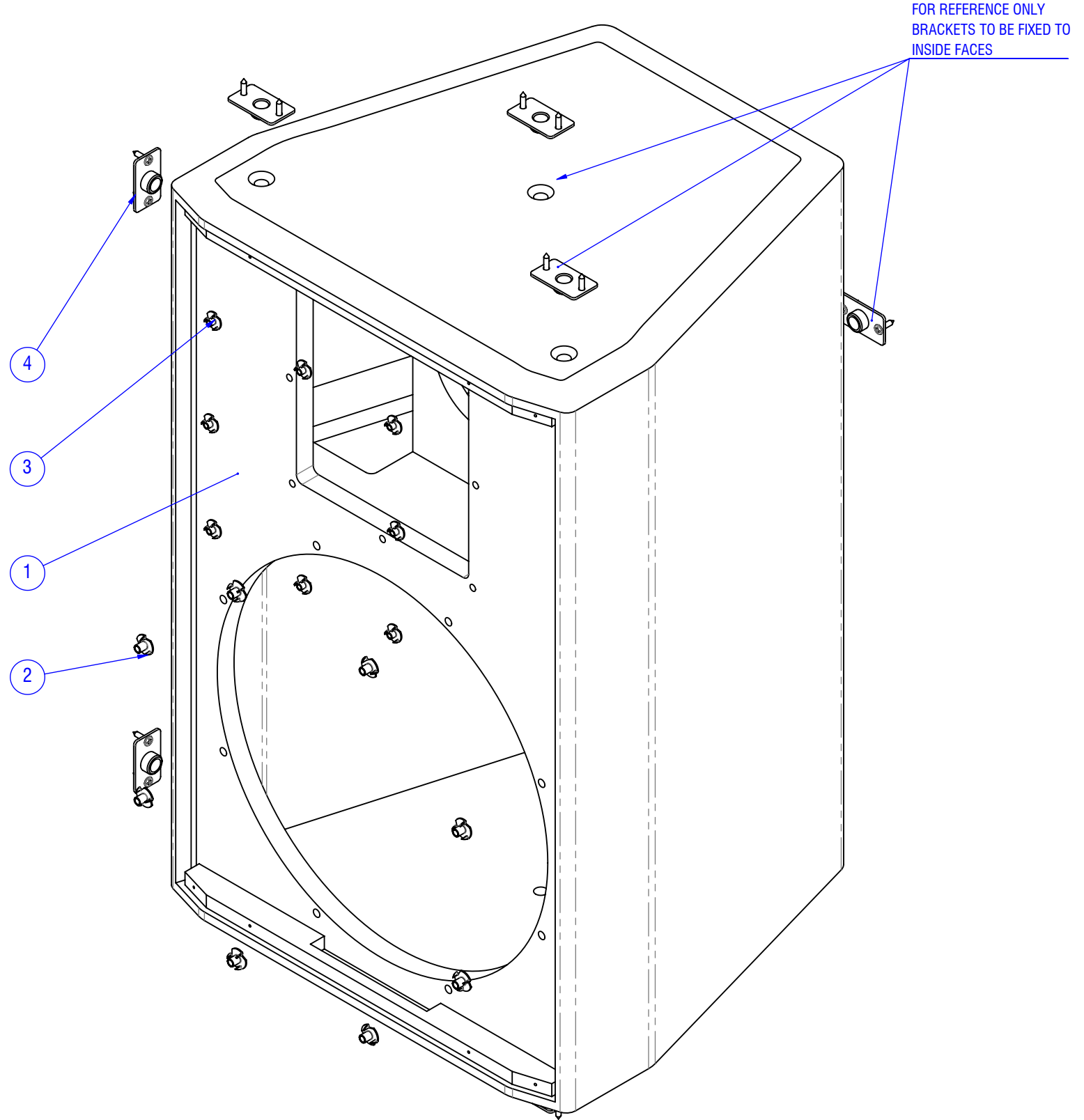
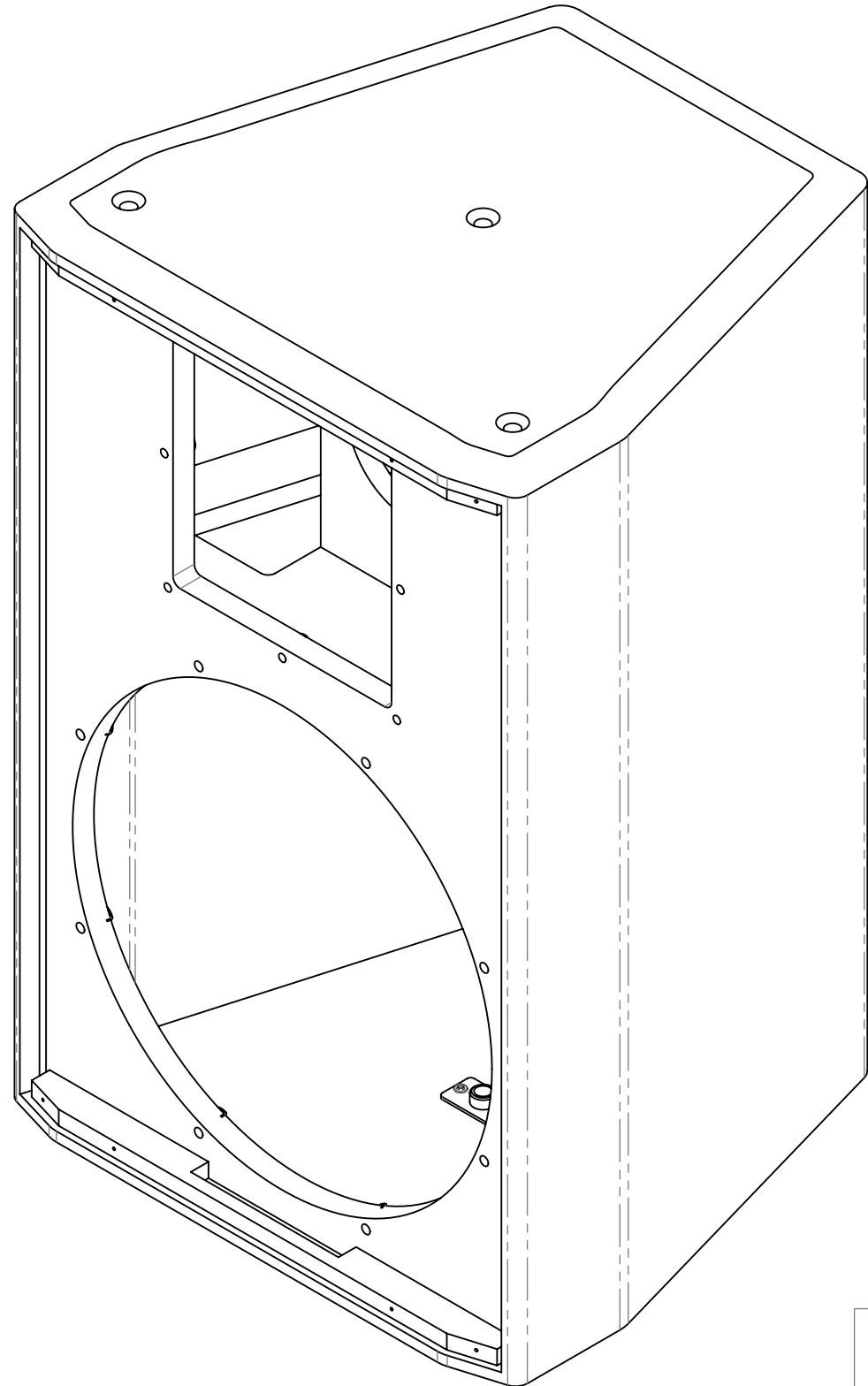
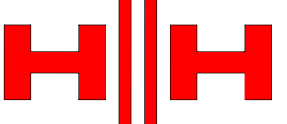

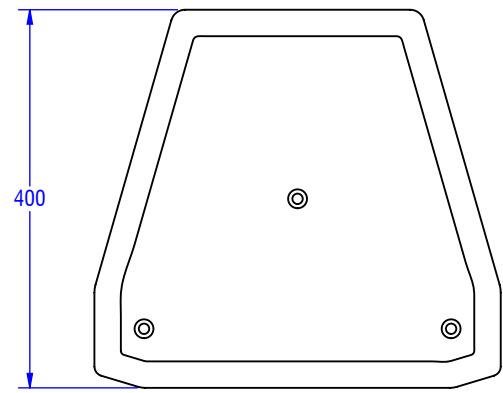


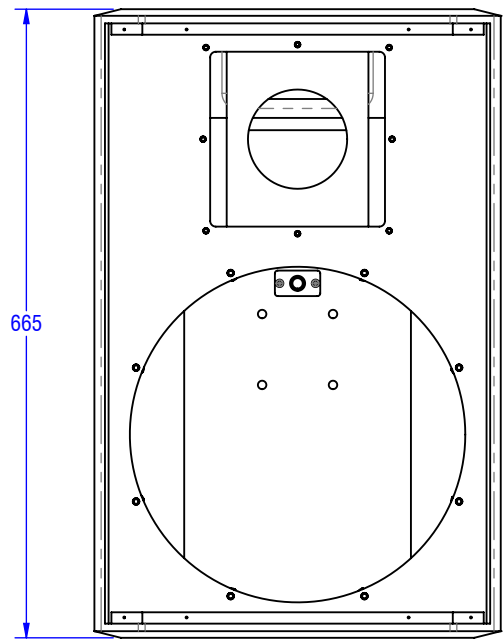
ITEM NO.	Part Number	DESCRIPTION	Revision	QTY.
1	MCM016401	Cabinet MCM016400 - Finished Black	2	1
2	008211	M5 - 3 Pronged Tee Nut - BZP	-	8
3	MCM002866	M4 - 3 Pronged Tee Nut - BZP	-	8
4	MCM015109	AA0327 M10 Single Flying Bracket	-	7
5	MCM014936	(No.8) 4mm x 16mm - Pan Head - Cross - Wood Screw - BZP	-	14



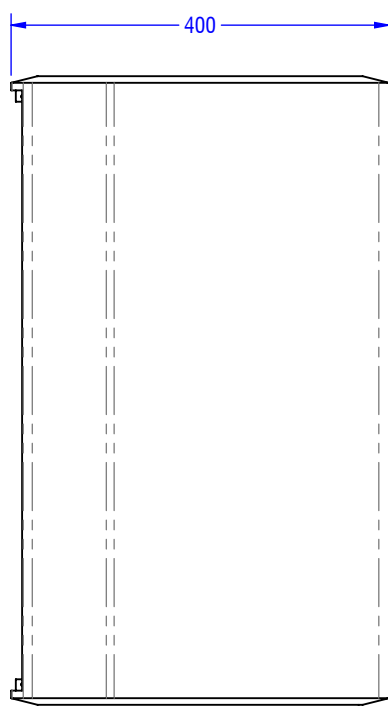
 HH ELECTRONICS LTD STEELPARK ROAD, COOMBS WOOD BUSINESS PARK, HALESOWEN, WEST MIDLANDS, B62 8HD, UK WWW.HHELECTRONICS.CO.UK	DESCRIPTION: <b>CABINET ASSEMBLY - BLACK</b>	PROJECT TITLE: <b>TNI-W15PRO</b>	DWG NO. <b>MCA016412</b>	REVISION: <b>1</b>
	STATE: <b>RELEASED</b>	REFER TO 3D MODEL FOR FULL DIMENSIONAL DATA	DATE: <b>13/07/2023</b>	RELEASED BY: <b>TB</b>
	 UNLESS OTHERWISE STATED: ALL DIMENSIONS ARE IN MILLIMETERS (mm) LINEAR TOLERANCE $\pm 0.5$ ANGULAR TOLERANCE $\pm 1.0^\circ$	THIS DRAWING REMAINS THE PROPERTY OF HH ELECTRONICS LIMITED. THIS DRAWING, HARD COPY OR DIGITAL, AND ANY ATTACHMENTS ARE CONFIDENTIAL, LEGALLY PRIVILEGED AND PROTECTED BY COPYRIGHT.	SCALE: <b>1:4</b>	SHEET SIZE: <b>A3</b>



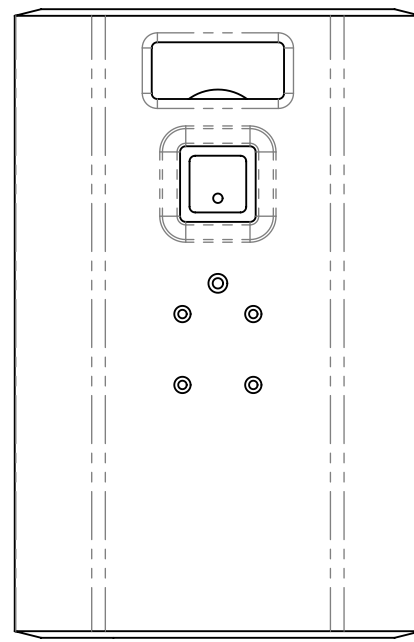
TOP



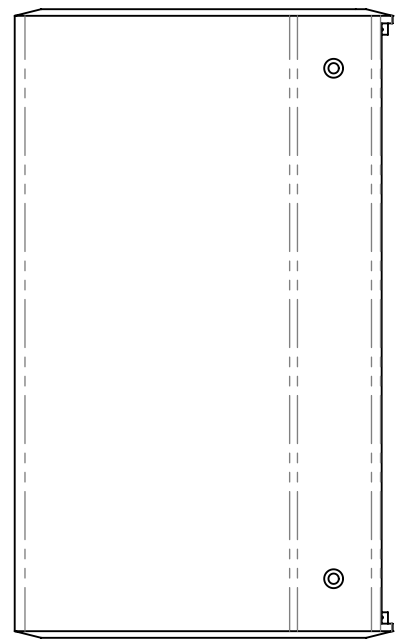
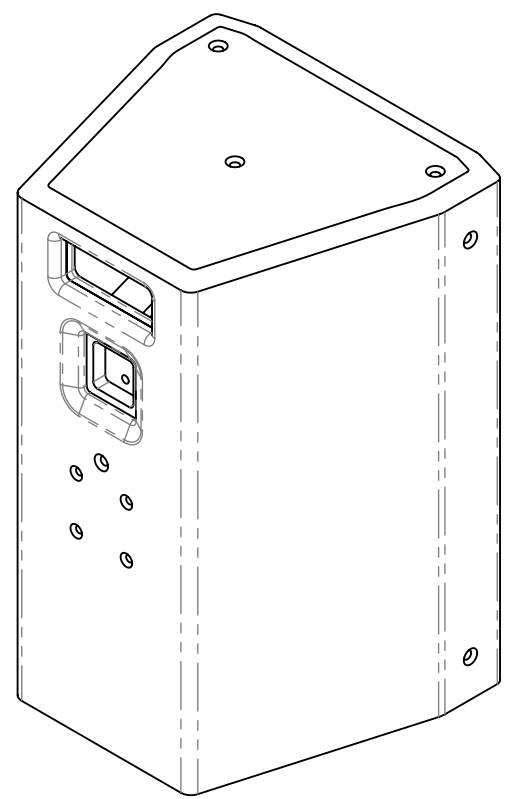
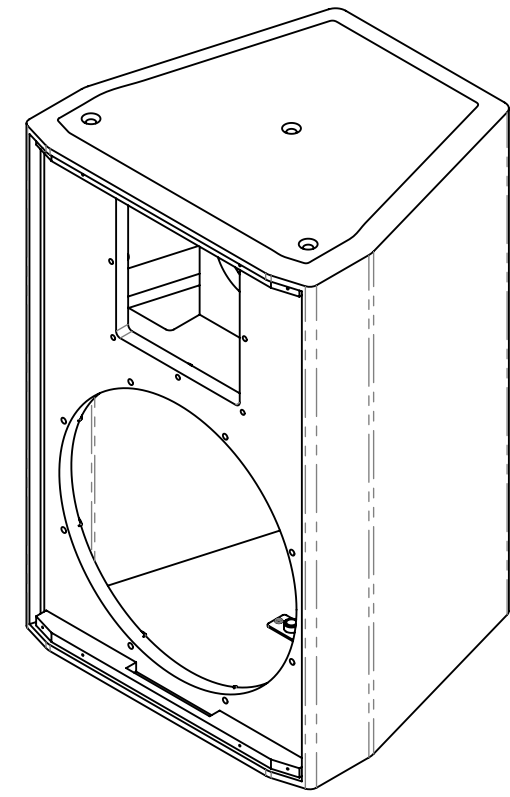
FRONT



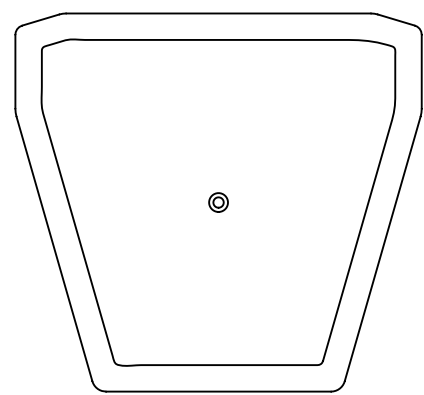
RIGHT



REAR



LEFT



BASE



DESCRIPTION: <b>CABINET ASSEMBLY - BLACK</b>	PROJECT TITLE: <b>TNI-W15PRO</b>	DWG NO. <b>MCA016412</b>	REVISION: <b>1</b>
STATE: <b>RELEASED</b>	REFER TO 3D MODEL FOR FULL DIMENSIONAL DATA	DATE: <b>13/07/2023</b>	RELEASED BY: <b>TB</b>
<p>UNLESS OTHERWISE STATED: ALL DIMENSIONS ARE IN MILLIMETERS (mm) LINEAR TOLERANCE <math>\pm 0.5</math> ANGULAR TOLERANCE <math>\pm 1.0^\circ</math></p>	THIS DRAWING REMAINS THE PROPERTY OF HH ELECTRONICS LIMITED. THIS DRAWING, HARD COPY OR DIGITAL, AND ANY ATTACHMENTS ARE CONFIDENTIAL, LEGALLY PRIVILEGED AND PROTECTED BY COPYRIGHT.	SCALE: <b>1:8</b>	SHEET SIZE: <b>A3</b>
			SHEET: <b>2/2</b>