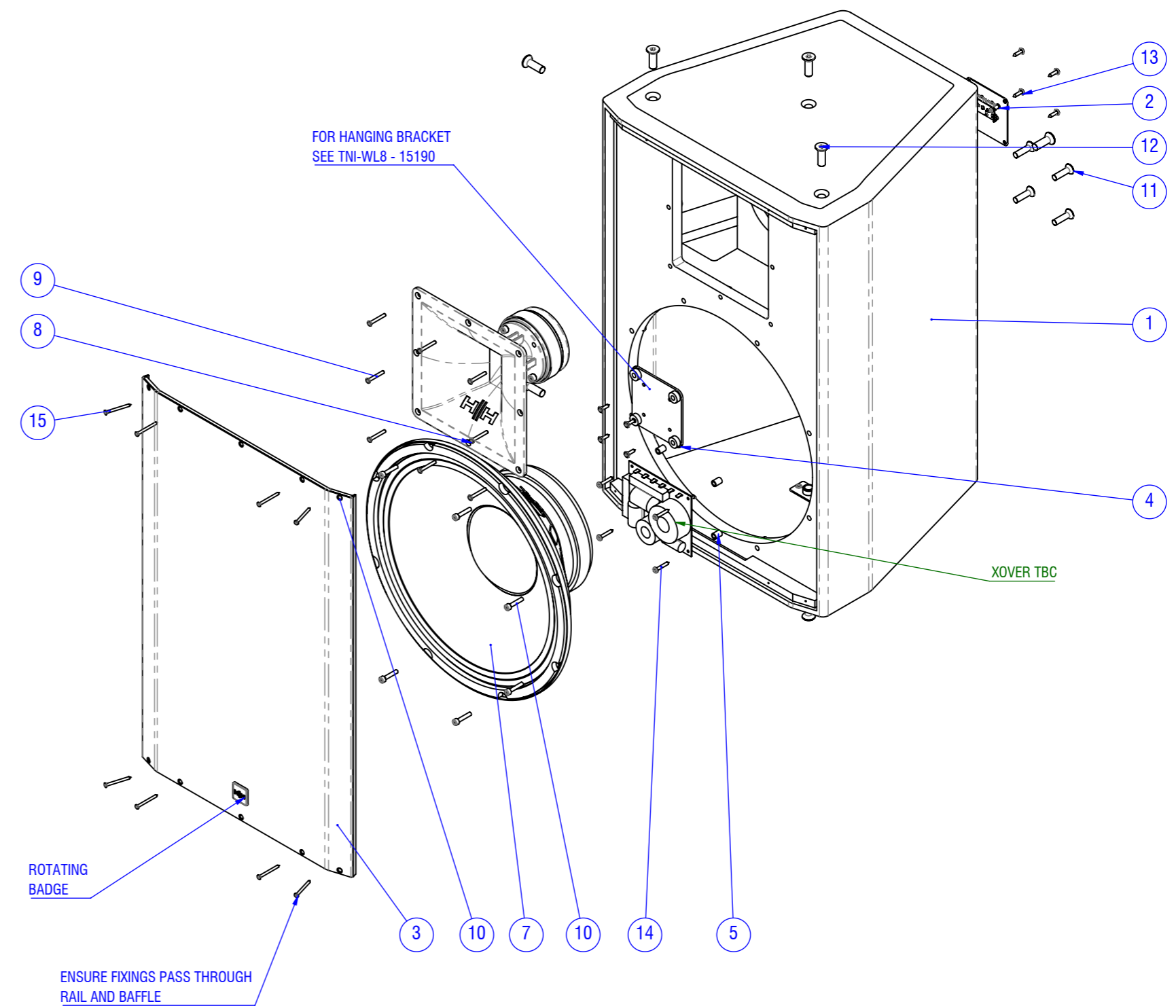


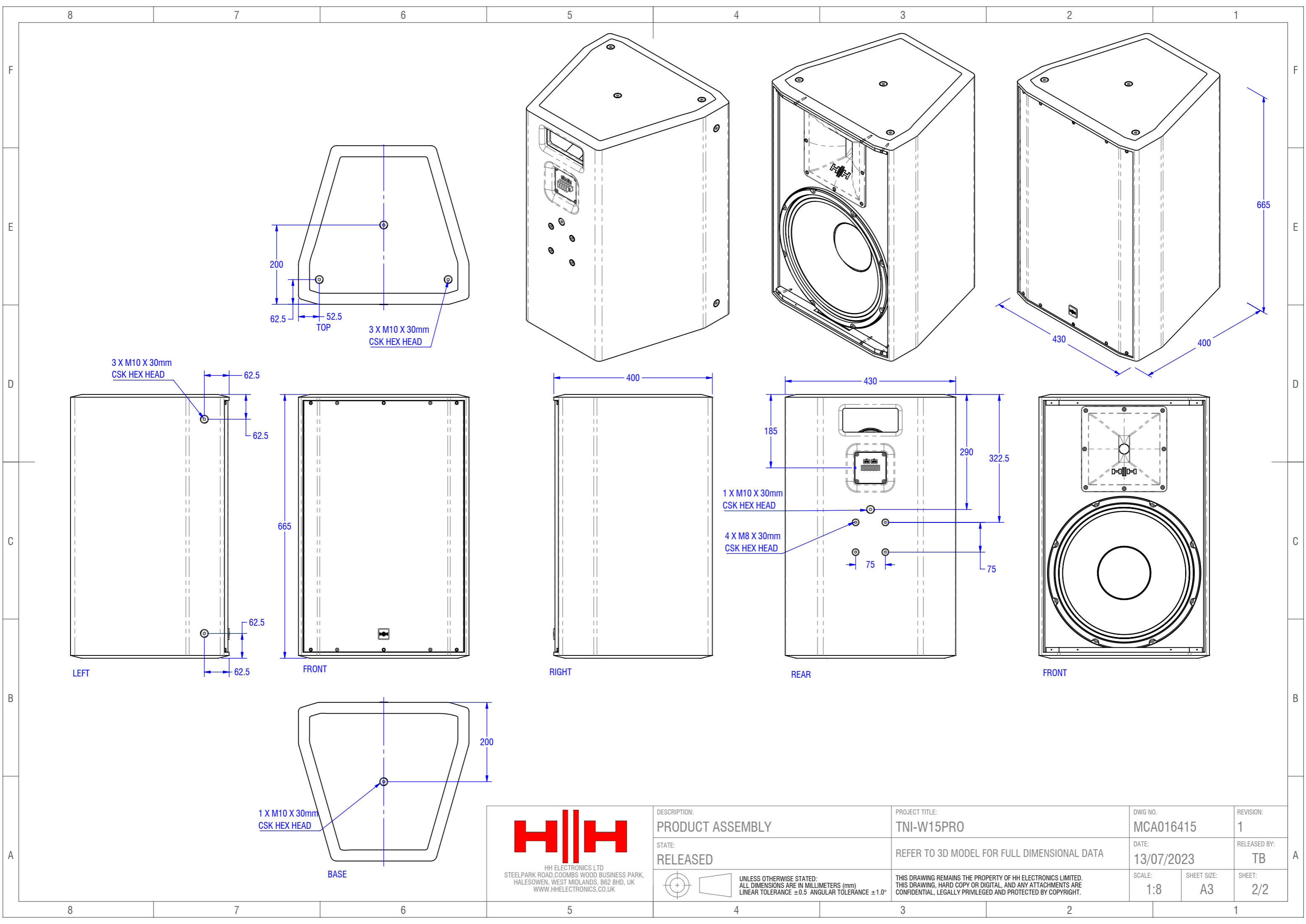


ITEM NO.	Part Number	DESCRIPTION	Revision	QTY.
1	MCA016412	Cabinet Assembly - Black	1	1
2	MCA016418	Rear Panel Assembly - TNi-W15PRO	2	1
3	MCA016404	Grille Assembly - Black	1	1
4	MCM015190	Hanging Plate	1	1
5	MCM015010	Round Plastic Spacer	-	4
6	MCA015817	Xover PCB - TNi-W12PRO	-	1
7	MCT016414	15" Woofer PA13-350 (8 Ohm)	-	1
8	MCA016399	LAB14082_A - Horn - CDX1-1742	2	1
9	MCM016371	M4 x 30mm - CSK Head - Hex - Machine Screw - Black	-	8
10	MCM015107	M5 x 25mm - Cap Head - Hex - Machine Screw - Black	-	8
11	MCM015194	M8 x 30mm - CSK Head - Hex - Machine Screw - Black	-	4
12	MCM015195	M10 x 30mm - CSK Head - Hex - Machine Screw - Black	-	7
13	MCM014615	(No.8) 4mm x 16mm - Pan Head - Cross - Wood Screw - Black	-	8
14	MCM015196	(No.8) 4mm x 25mm - Pan Head - Cross - Wood Screw - Black	-	4
15	MCM015388	(No.6) 3.5mm x 40mm - CSK Head - Hex - Wood Screw - Black	-	8



 HH ELECTRONICS LTD STEELPARK ROAD, COOMBS WOOD BUSINESS PARK, HALESOWEN, WEST MIDLANDS, B62 8HD, UK WWW.LANEY.CO.UK	DESCRIPTION: PRODUCT ASSEMBLY	PROJECT TITLE: TNi-W15PRO	DWG NO. MCA016415	REVISION: 1	
	STATE: RELEASED	CABINET TO BE MADE FROM THE 3D MODEL. DRAWINGS SUPPLIED FOR REFERENCE ONLY.		DATE: 13/07/2023	RELEASED BY: TB
	 UNLESS OTHERWISE STATED: ALL DIMENSIONS ARE IN MILLIMETERS (mm) LINEAR TOLERANCE ±0.5 ANGULAR TOLERANCE ±1.0°	THIS DRAWING REMAINS THE PROPERTY OF LANEY ELECTRONICS LIMITED. THIS DRAWING, HARD COPY OR DIGITAL, AND ANY ATTACHMENTS ARE CONFIDENTIAL, LEGALLY PRIVILEGED AND PROTECTED BY COPYRIGHT.		SCALE: 1:7	SHEET SIZE: A3



DESCRIPTION:
PRODUCT ASSEMBLY

STATE:
RELEASED

UNLESS OTHERWISE STATED:
 ALL DIMENSIONS ARE IN MILLIMETERS (mm)
 LINEAR TOLERANCE ±0.5 ANGULAR TOLERANCE ±1.0°

PROJECT TITLE:
TNI-W15PRO

REFER TO 3D MODEL FOR FULL DIMENSIONAL DATA

THIS DRAWING REMAINS THE PROPERTY OF HH ELECTRONICS LIMITED.
 THIS DRAWING, HARD COPY OR DIGITAL, AND ANY ATTACHMENTS ARE
 CONFIDENTIAL, LEGALLY PRIVILEGED AND PROTECTED BY COPYRIGHT.

DWG NO. MCA016415	REVISION: 1
DATE: 13/07/2023	RELEASED BY: TB
SCALE: 1:8	SHEET SIZE: A3
	SHEET: 2/2