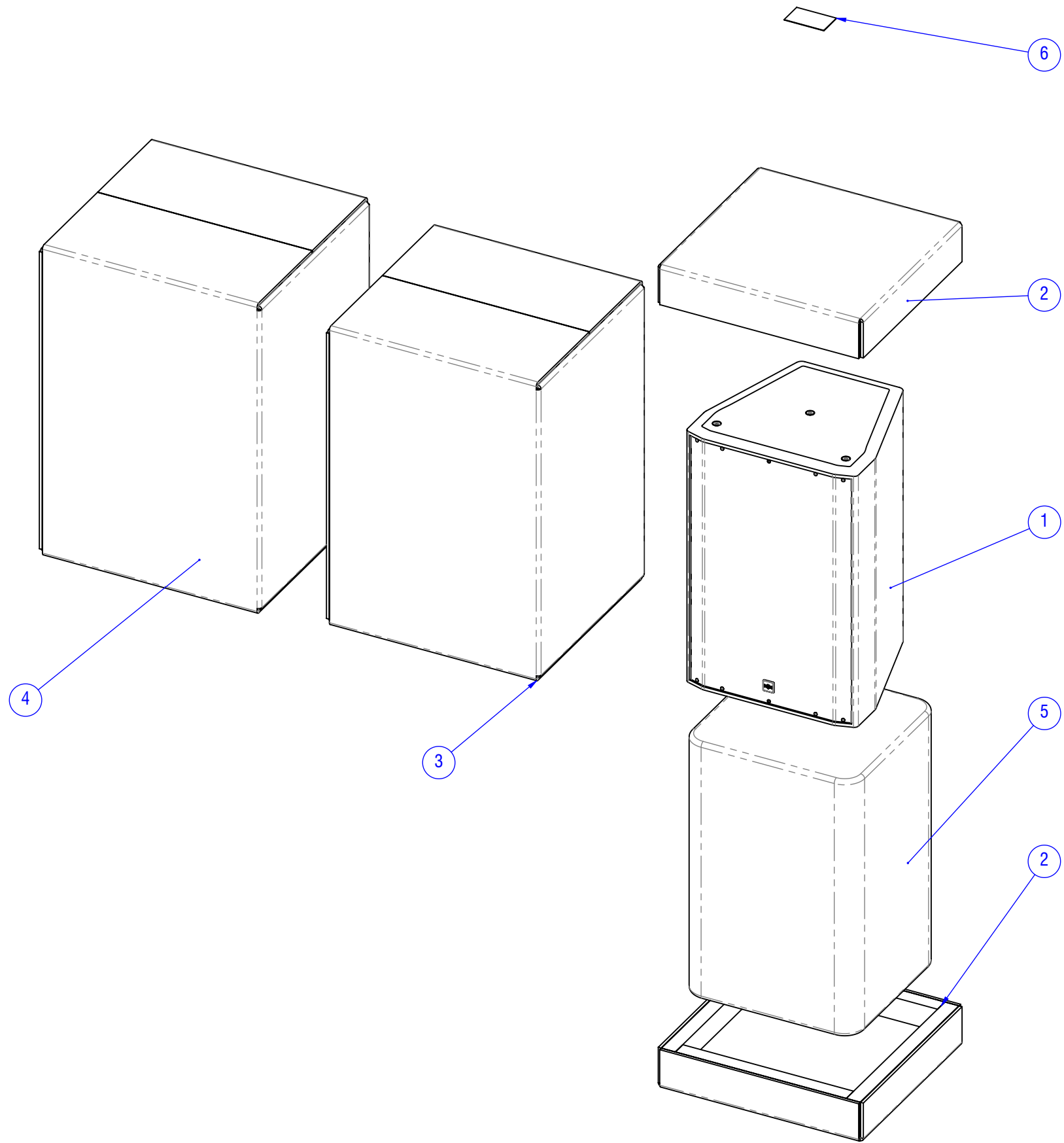


ITEM NO.	Part Number	DESCRIPTION	Revision	QTY.
1	MCA016415	Product Assembly	1	1
2	MCA016417	Packing Tray Assembly	1	2
3	MCM016421	Product Carton	1	1
4	MCM016423	Shipping Carton	1	1
5	MCM016422	Packing Bag	1	1
6	MCD013731	HH User Manual Download Card	-	1



- NOTES**
- ALL DIMENSIONS IN mm UNLESS STATED
  - IMPORTANT! CARTON INTERNAL SIZE SHOWN (EXTERNAL DIMS IN [ ]).
  - CARDBOARD TO BE HEAVY DUTY AB TYPE MINIMUM 7mm THICK.
  - CABINET TO BE A 'GOOD' FIT INTO CARTON, NO MOVEMENT AFTER SEALING.
  - PACKING TRAYS ARE 7mm THICK CARD WITH EPE FOAM PADS.



DESCRIPTION:  
**PACKAGING ASEMBLY**

STATE:  
**RELEASED**

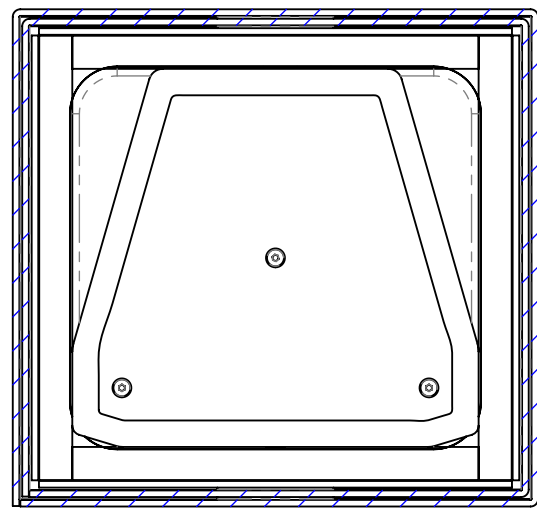
UNLESS OTHERWISE STATED:  
ALL DIMENSIONS ARE IN MILLIMETERS (mm)  
LINEAR TOLERANCE  $\pm 0.5$  ANGULAR TOLERANCE  $\pm 1.0^\circ$

PROJECT TITLE:  
**TNI-W15PRO**

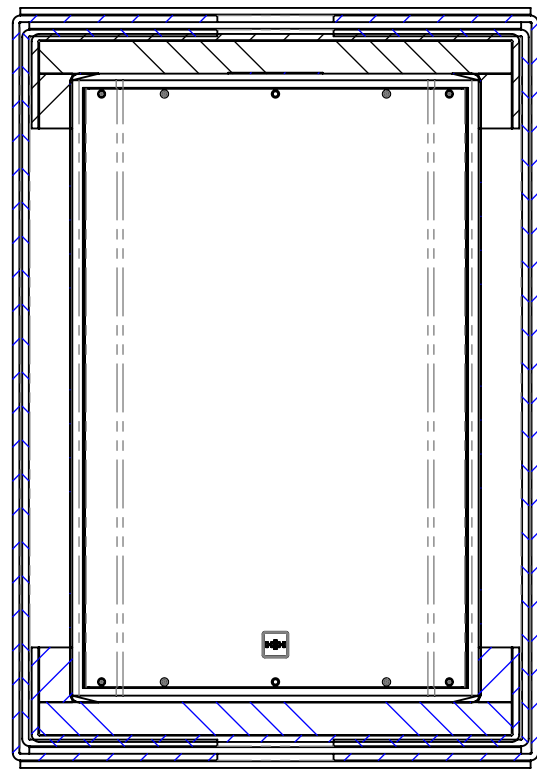
REFER TO 3D MODEL FOR FULL DIMENSIONAL DATA

THIS DRAWING REMAINS THE PROPERTY OF HH ELECTRONICS LIMITED.  
THIS DRAWING, HARD COPY OR DIGITAL, AND ANY ATTACHMENTS ARE  
CONFIDENTIAL, LEGALLY PRIVILEGED AND PROTECTED BY COPYRIGHT.

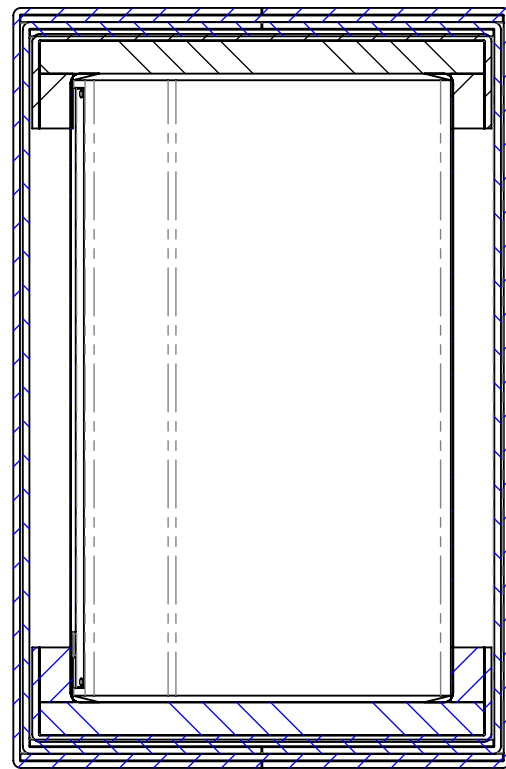
DWG NO. <b>MCA016416</b>	REVISION: <b>1</b>
DATE: <b>13/07/2023</b>	RELEASED BY: <b>TB</b>
SCALE: <b>1:11</b>	SHEET SIZE: <b>A3</b>
	SHEET: <b>1/2</b>



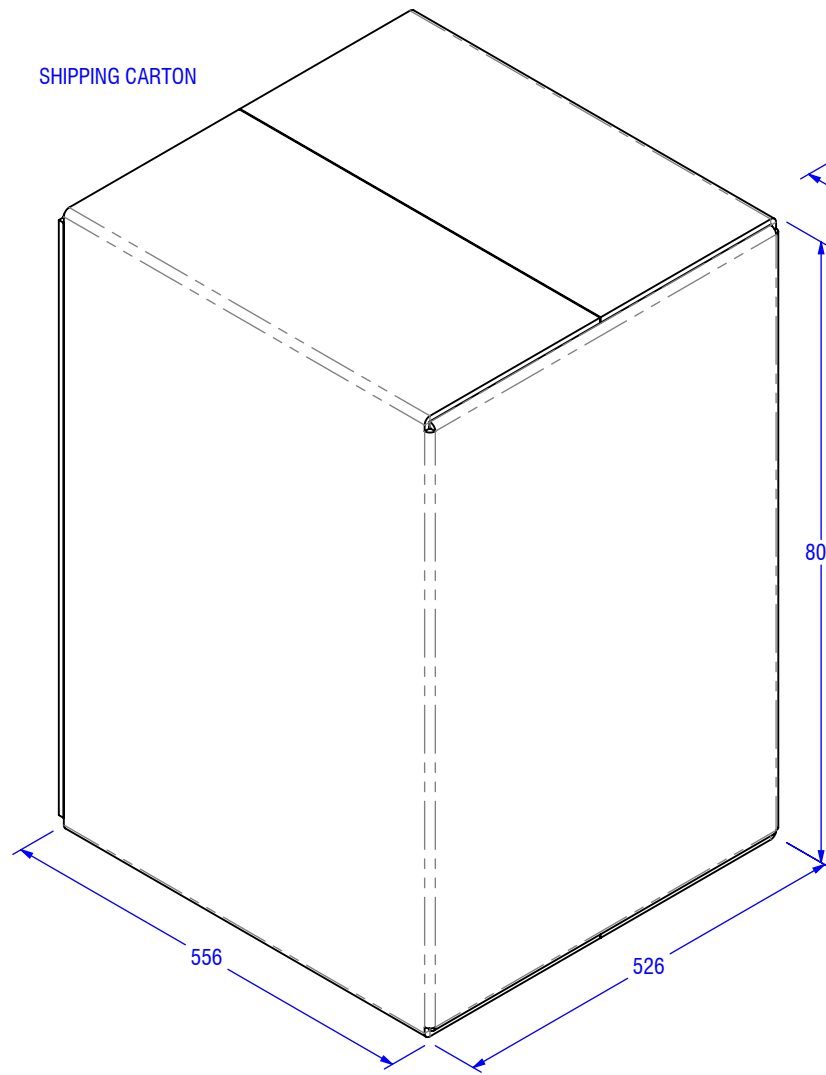
TOP



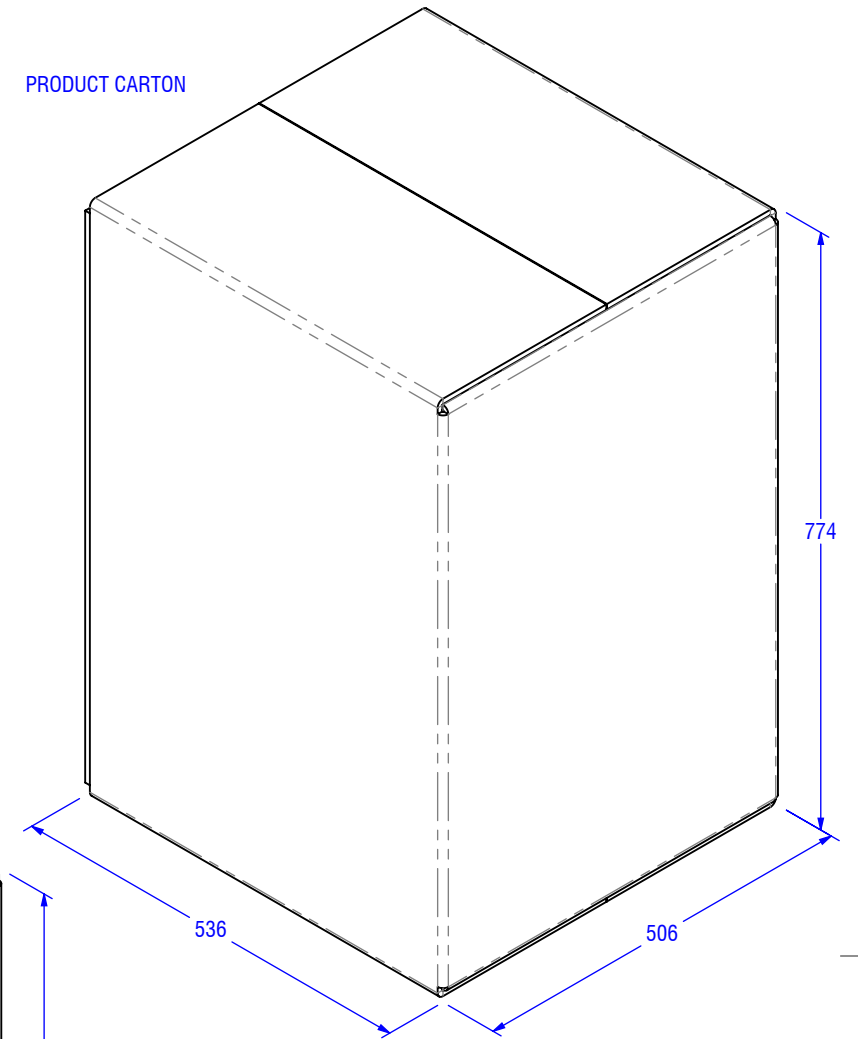
FRONT



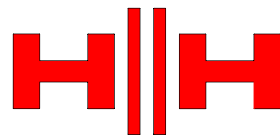
RIGHT





SHIPPING CARTON



PRODUCT CARTON



HH ELECTRONICS LTD  
 STEELPARK ROAD, COOMBS WOOD BUSINESS PARK,  
 HALESOWEN, WEST MIDLANDS, B62 8HD, UK  
 WWW.HHELECTRONICS.CO.UK

DESCRIPTION: <b>PACKAGING ASEMBLY</b>	PROJECT TITLE: <b>TNI-W15PRO</b>
STATE: <b>RELEASED</b>	REFER TO 3D MODEL FOR FULL DIMENSIONAL DATA
  UNLESS OTHERWISE STATED: ALL DIMENSIONS ARE IN MILLIMETERS (mm) LINEAR TOLERANCE $\pm 0.5$ ANGULAR TOLERANCE $\pm 1.0^\circ$	THIS DRAWING REMAINS THE PROPERTY OF HH ELECTRONICS LIMITED. THIS DRAWING, HARD COPY OR DIGITAL, AND ANY ATTACHMENTS ARE CONFIDENTIAL, LEGALLY PRIVILEGED AND PROTECTED BY COPYRIGHT.

DWG NO. <b>MCA016416</b>	REVISION: <b>1</b>
DATE: <b>13/07/2023</b>	RELEASED BY: <b>TB</b>
SCALE: <b>1:8</b>	SHEET SIZE: <b>A3</b>
	SHEET: <b>2/2</b>