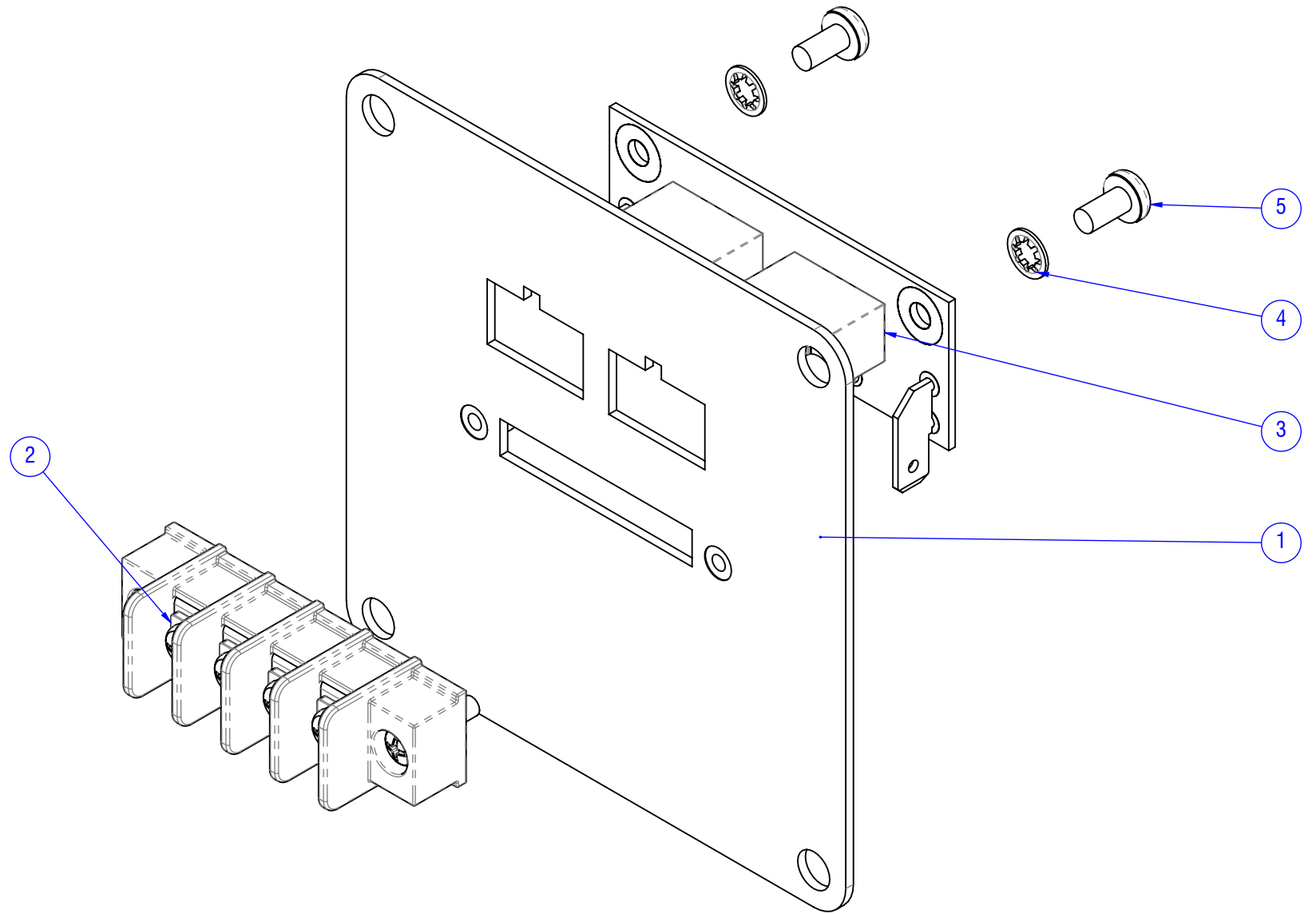
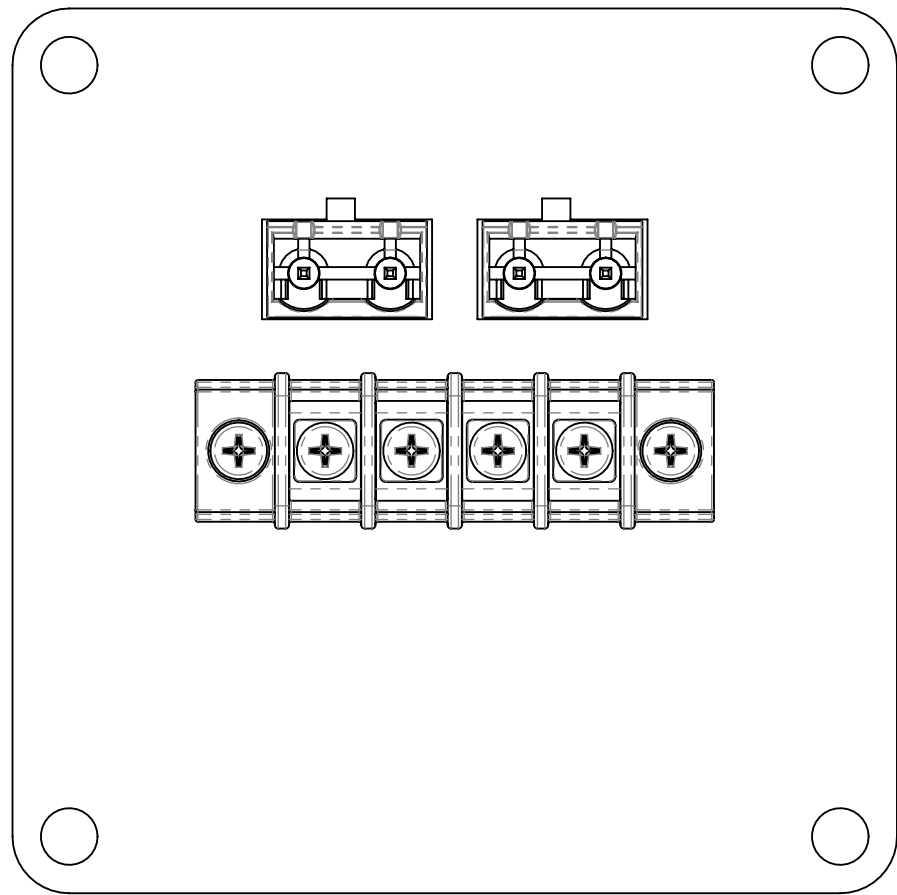


ITEM NO.	Part Number	DESCRIPTION	Revision	QTY.
1	MCM016403	TNi-W15PRO - MCM015191 Painted & Printed - Artwork MCD015207	2	1
2	MCE015200	M4 Screw Barrier Terminal (4W) 7.68mm Pitch	-	1
3	MCA015120	Input PCB Assembly	1	1
4	009151	M3 - Internal - Shakeproof Washer - BZP	-	2
5	008206	M3 x 6mm - Pan Head - Cross - Machine Screw - BZP	-	2



DESCRIPTION:  
**REAR PANEL ASSEMBLY - TNI-W15PRO**

STATE:  
**RELEASED**

PROJECT TITLE:  
**TNI-W15PRO**

REFER TO 3D MODEL FOR FULL DIMENSIONAL DATA

DWG NO.  
**MCA016418**

REVISION:  
**2**

DATE:  
**13/07/2023**

RELEASED BY:  
**TB**

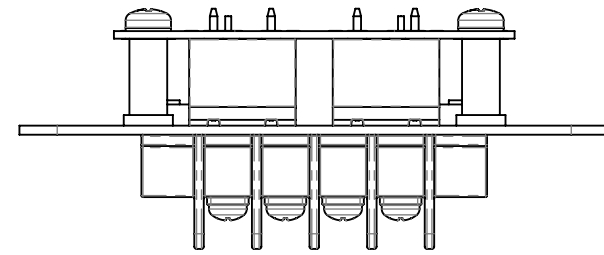
UNLESS OTHERWISE STATED:  
 ALL DIMENSIONS ARE IN MILLIMETERS (mm)  
 LINEAR TOLERANCE  $\pm 0.5$  ANGULAR TOLERANCE  $\pm 1.0^\circ$

THIS DRAWING REMAINS THE PROPERTY OF HH ELECTRONICS LIMITED.  
 THIS DRAWING, HARD COPY OR DIGITAL, AND ANY ATTACHMENTS ARE  
 CONFIDENTIAL, LEGALLY PRIVILEGED AND PROTECTED BY COPYRIGHT.

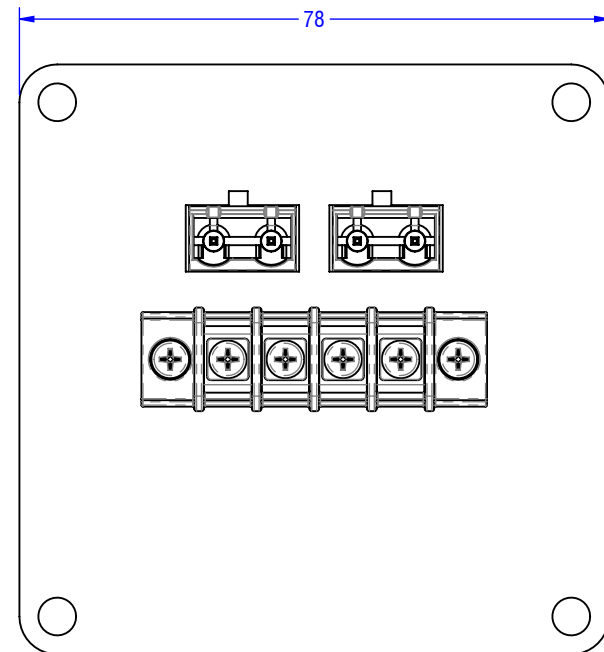
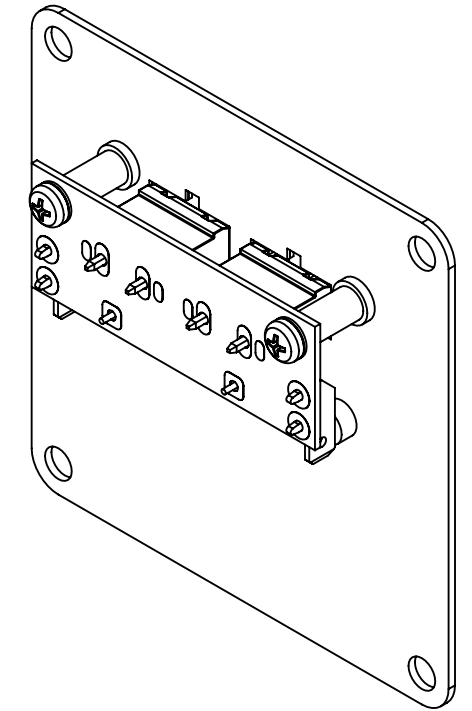
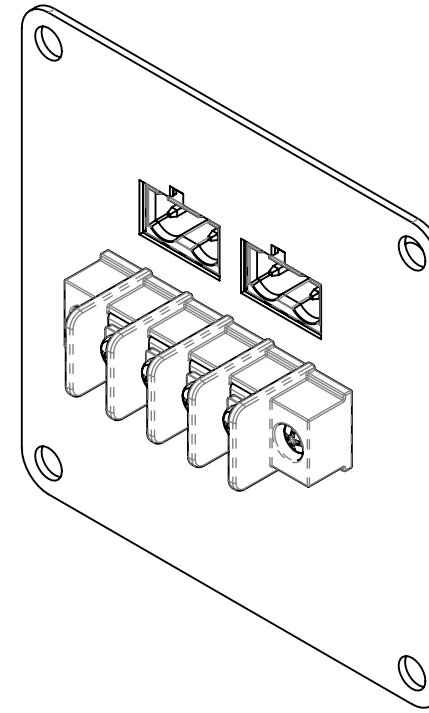
SCALE:  
**1.5:1**

SHEET SIZE:  
**A3**

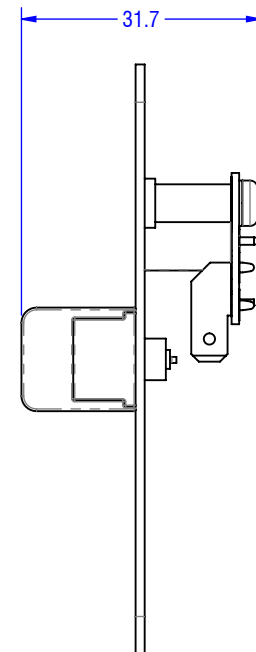
SHEET:  
**1/2**



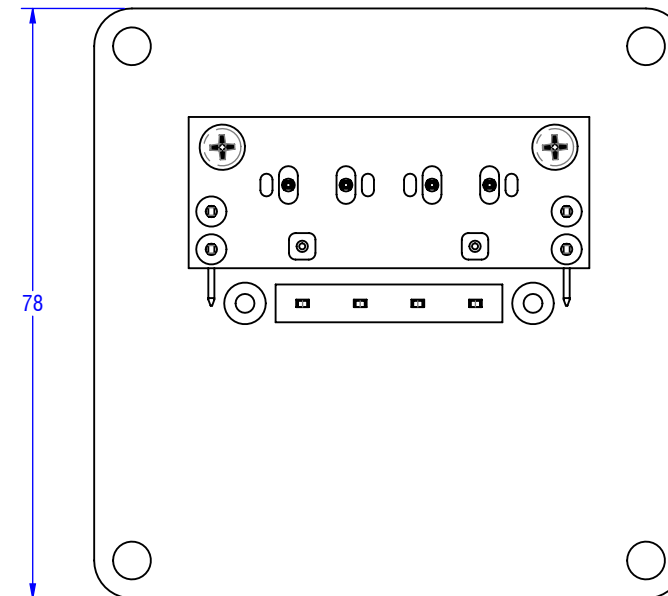
TOP



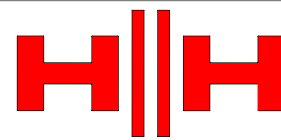
FRONT



RIGHT



REAR



HH ELECTRONICS LTD  
 STEELPARK ROAD, COOMBS WOOD BUSINESS PARK,  
 HALESOWEN, WEST MIDLANDS, B62 8HD, UK  
 WWW.HHELECTRONICS.CO.UK

DESCRIPTION:  
**REAR PANEL ASSEMBLY - TNI-W15PRO**

STATE:  
**RELEASED**



UNLESS OTHERWISE STATED:  
 ALL DIMENSIONS ARE IN MILLIMETERS (mm)  
 LINEAR TOLERANCE  $\pm 0.5$  ANGULAR TOLERANCE  $\pm 1.0^\circ$

PROJECT TITLE:  
**TNI-W15PRO**

REFER TO 3D MODEL FOR FULL DIMENSIONAL DATA

THIS DRAWING REMAINS THE PROPERTY OF HH ELECTRONICS LIMITED.  
 THIS DRAWING, HARD COPY OR DIGITAL, AND ANY ATTACHMENTS ARE  
 CONFIDENTIAL, LEGALLY PRIVILEGED AND PROTECTED BY COPYRIGHT.

DWG NO.  
**MCA016418**

DATE:  
**13/07/2023**

SCALE:  
**1:1**

SHEET SIZE:  
**A3**

REVISION:  
**2**

RELEASED BY:  
**TB**

SHEET:  
**2/2**