

TNi-WX3

2-Way Passive Point Source Loudspeaker

Features

- 3.5-inch low-frequency driver. 0.5-inch high-frequency driver.
- Power handling: 30W RMS
- Sensitivity (1W/1m): 83 dB
- IP65 weather-resistant design.
- Compact lightweight design for simple and discreet installation.
- Accessories: Cable gland panel, pan & tilt wall bracket.

Applications

- Commercial
- Corporate
- Retail
- Hospitality
- Education
- House of Worship

Description

The TNi-WX3 is a 2-way passive design featuring a 3.5-inch low-frequency driver and a 0.5-inch high-frequency driver that provide a beautifully balanced, natural and dynamic listening experience, with excellent speech intelligibility and exceptional detail for background music applications. With a sensitivity of 83dB (1W/1m) and a power handling of 30W RMS, the TNi-WX3 yields a max SPL of 97dB and is well suited to commercial spaces, hospitality venues, retail locations and outdoor environments.

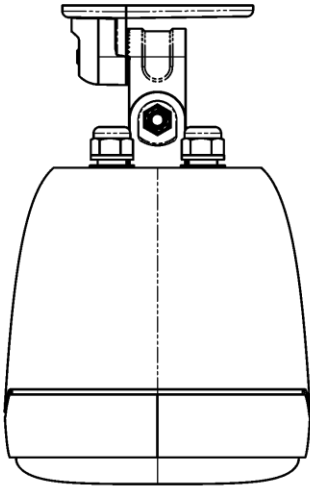
The TNi-WX3 is designed for flexibility, suitable for Lo-Z systems with a nominal system impedance of 8 ohms, and an internal line transformer with taps from 15W down to 2.5W expanding the potential applications to include large-scale 70/100V audio systems.

The TNi-WX3 is built for durability when used in both indoor and outdoor applications, featuring a cabinet constructed from UV-resistant ABS, an aluminium grille and a rear cable gland panel. These features combine to achieve an IP rating of IP65, making this an ideal weather-resistant audio solution.

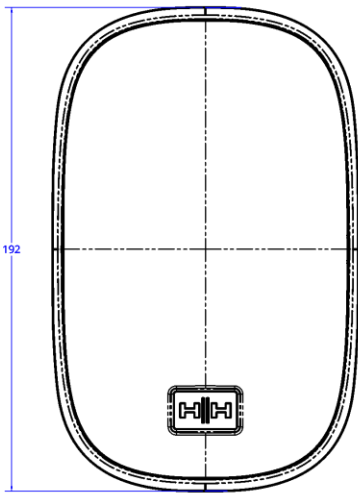
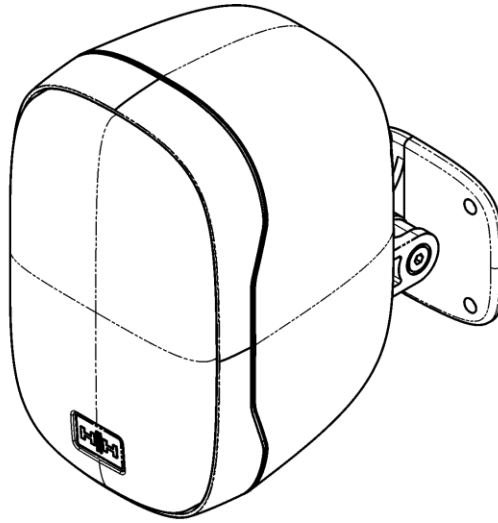
The compact form factor (191 x 120 x 125mm), lightweight design (1.7kg) and included pan & tilt wall bracket all contribute to a fast and simple installation.



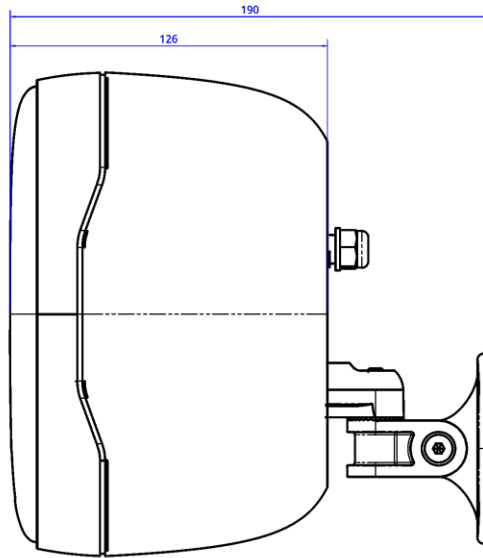
Dimensions



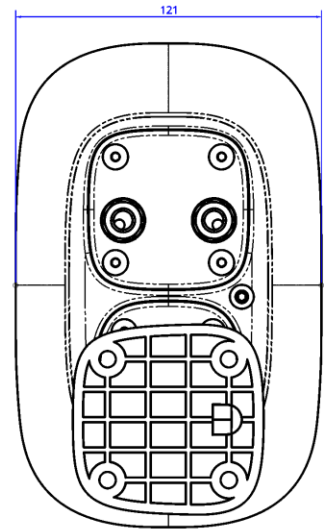
Top



Front



Right



Back

Specifications

| | |
|------------------------------------|--|
| Model | <i>TNi-WX3</i> |
| System type | <i>2-Way Passive Surface Mount Loudspeaker</i> |
| Woofers Size | <i>3.5-inch</i> |
| Tweeter Size | <i>0.5-inch</i> |
| Nominal System Impedance | <i>8 Ohms</i> |
| Power Rating ¹ | <i>30W RMS, 120W Peak</i> |
| 70V Transformer Tappings | <i>7.5W, 5W, 3.75W, 2.5W</i> |
| 100V Transformer Tappings | <i>15W, 10W, 7.5W, 5W</i> |
| Recommended Amplifier | <i>MZ-140DX, MZ-140D, MZ-140Q or equivalent 70W - 140W @ 8 Ohm amplifier</i> |
| Sensitivity 1W/1m ² | <i>83dB</i> |
| Maximum SPL (1m) ³ | <i>97dB, 103dB (Peak)</i> |
| Frequency response (-10dB) | <i>90Hz - 20kHz (-10dB)</i> |
| Input / Link Connector | <i>4-Pin Euroblock/Phoenix</i> |
| Horizontal Dispersion Angle | <i>120°</i> |
| Vertical Dispersion Angle | <i>70°</i> |
| Enclosure | |
| Main Construction Material | <i>ABS</i> |
| Finish | <i>Black or White</i> |
| Grille | <i>Aluminium</i> |
| IP Rating | <i>IP65</i> |
| Accessories | |
| Mounting Bracket | <i>Pan/Tilt wall bracket included</i> |
| Rear Panel | <i>Cable gland panel for outdoor use</i> |
| Unit dimensions (HWD) | <i>192 x 121 x 126mm, (7.6" x 4.8" x 5")</i> |
| Unit Dimensions with Bracket (HWD) | <i>192 x 121 x 190mm, (7.6" x 4.8" x 7.5")</i> |
| Unit weight | <i>1.7Kg, (3.7 lbs)</i> |
| Carton dimensions (HWD) | <i>330 x 190 x 185mm, (13" x 7.5" x 7.3"), 0.012 M3</i> |
| Packed weight | <i>2.1Kg, (4.6 lbs)</i> |
| Master Carton dimensions (HWD) | <i>345 x 380 x 380mm, (13.6" x 15" x 15"), 0.05 M3</i> |
| Master QTY | <i>4</i> |
| Master Packed weight | <i>8.8Kg, (19.4 lbs)</i> |
| EAN Code | <i>Black: 5061098770379, White: 5061098770386</i> |

In the interest of continued development, HH reserves the right to amend product specification without prior notification.