

## TNi-WX6

### 2-Way Passive Point Source Loudspeaker

#### Features

- 6.5-inch low-frequency driver. 1-inch high-frequency driver.
- Power handling: 60W RMS
- Sensitivity (1W/1m): 89dB
- IP65 weather-resistant design.
- Compact lightweight design for simple and discreet installation.
- Accessories: Cable gland panel, pan & tilt wall bracket.

#### Applications

- Commercial
- Corporate
- Retail
- Hospitality
- Education
- House of Worship



#### Description

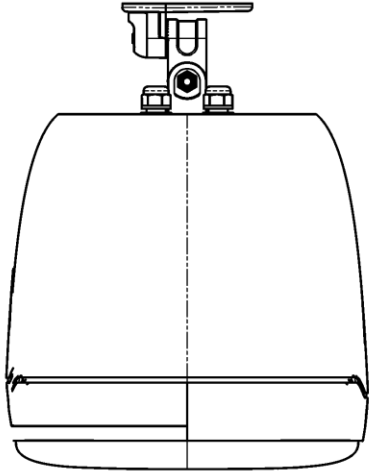
The TNi-WX6 is a 2-way passive design featuring a 6.5-inch low-frequency driver and a 1-inch high-frequency driver that provide a beautifully balanced, natural and dynamic listening experience, with excellent speech intelligibility and exceptional detail for background music applications. With a sensitivity of 89dB (1W/1m) and a power handling of 60W RMS, the TNi-WX6 yields a max SPL of 106dB and is well suited to commercial spaces, hospitality venues, retail locations and outdoor environments.

The TNi-WX6 is designed for flexibility, suitable for Lo-Z systems with a nominal system impedance of 8 ohms, and an internal line transformer with taps from 30W down to 3.75W expanding the potential applications to include large-scale 70/100V audio systems.

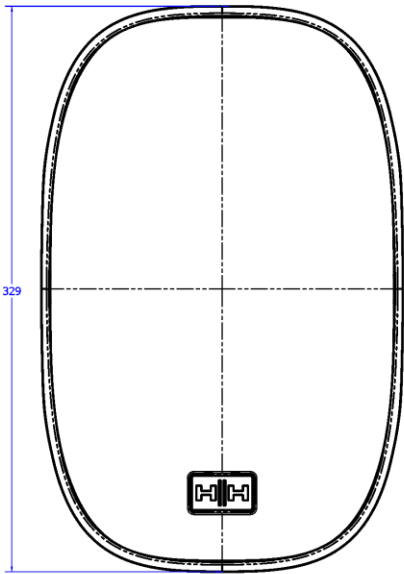
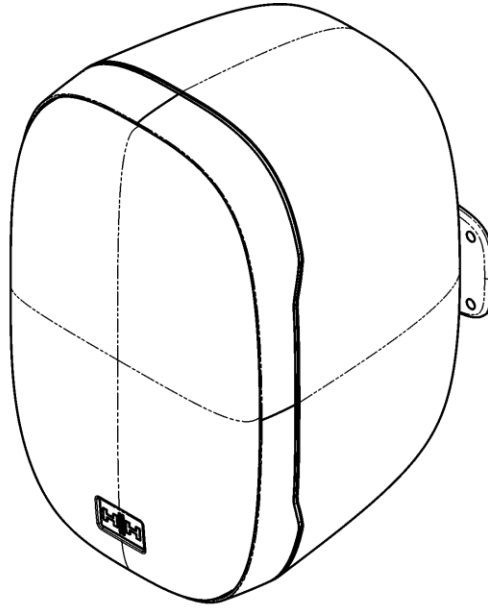
The TNi-WX6 is built for durability when used in both indoor and outdoor applications, featuring a cabinet constructed from UV-resistant ABS, an aluminium grille and a rear cable gland panel. These features combine to achieve an IP rating of IP65, making this an ideal weather-resistant audio solution.

The largest in the range, the TNi-WX6 measures 328 x 210 x 206mm, and weighs 3.75kg. Each speaker also comes with a pan & tilt wall bracket for fast and simple installation.

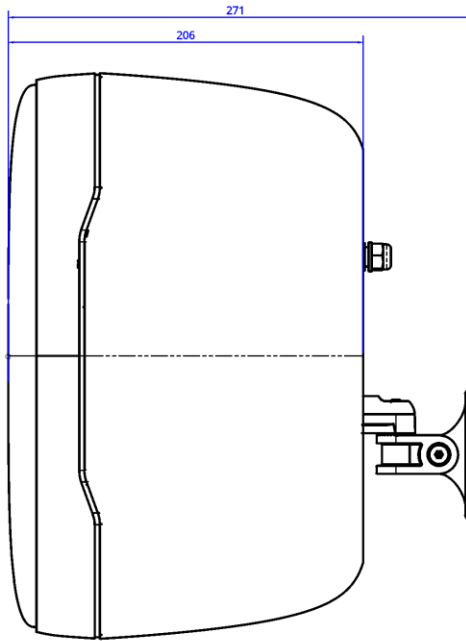
Dimensions



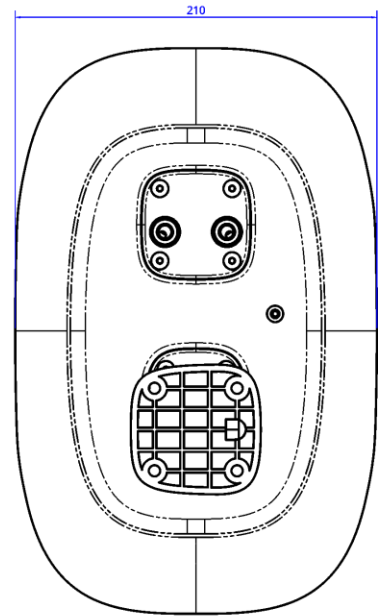
Top



Front



Right



Back

## Specifications

Model	<i>TNi-WX6</i>
System type	<i>2-Way Passive Surface Mount Loudspeaker</i>
Woofer Size	<i>6.5-inch</i>
Tweeter Size	<i>1-inch</i>
Nominal System Impedance	<i>8 Ohms</i>
Power Rating <sup>1</sup>	<i>60W RMS, 240W Peak</i>
70V Transformer Tappings	<i>30W, 15W, 7.5W, 3.75W</i>
100V Transformer Tappings	<i>60W, 30W, 15W, 7.5W</i>
Recommended Amplifier	<i>MZ-140DX, MZ-140D, MZ-140Q or equivalent 70W - 140W @ 8 Ohm amplifier</i>
Sensitivity 1W/1m <sup>2</sup>	<i>89dB</i>
Maximum SPL (1m) <sup>3</sup>	<i>106dB</i>
Frequency response (-10dB)	<i>60Hz - 20kHz</i>
Input / Link Connector	<i>4-Pin Euroblock/Phoenix</i>
Horizontal Dispersion Angle	<i>120°</i>
Vertical Dispersion Angle	<i>140°</i>
<b>Enclosure</b>	
Main Construction Material	<i>ABS</i>
Finish	<i>Black or White</i>
Grille	<i>Aluminium</i>
IP Rating	<i>IP65</i>
<b>Accessories</b>	
Mounting Bracket	<i>Pan/Tilt wall bracket included</i>
Rear Panel	<i>Cable gland panel for outdoor use</i>
Unit dimensions (HWD)	<i>329 x 210 x 206mm, (13" x 8.3" x 8.1")</i>
Unit Dimensions with Bracket (HWD)	<i>329 x 210 x 271mm, (13" x 8.3" x 10.7")</i>
Unit weight	<i>3.85Kg, (8.5 lbs)</i>
Carton dimensions (HWD)	<i>455 x 280 x 270mm, (17.9" x 11" x 10.6"), 0.034 M3</i>
Packed weight	<i>5Kg, (11 lbs)</i>
Master Carton dimensions (HWD)	<i>470 x 570 x 550mm, (18.5" x 22.4" x 21.7"), 0.147 M3</i>
Master QTY	<i>4</i>
Master Packed weight	<i>22Kg, (48.5 lbs)</i>
EAN Code	<i>Black: 5061098770416, White: 5061098770423</i>

In the interest of continued development, HH reserves the right to amend product specification without prior notification.