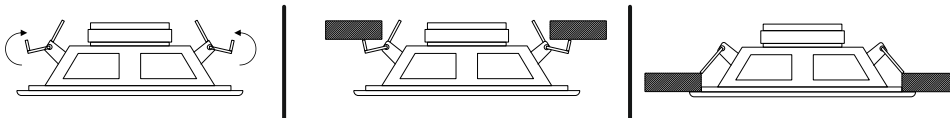
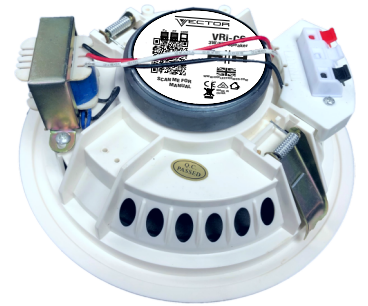


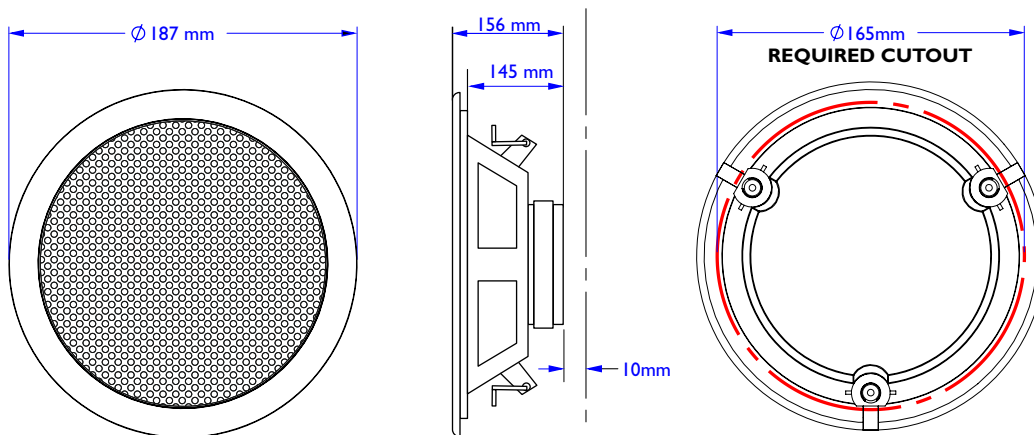
CEILING INSTALLATION LOUDSPEAKER

VRi-C6

Type	Vector 6" Passive Installation Ceiling Speaker
Description	The Vector VRi-C6 is a dedicated yet affordable ceiling speaker solution for audio installation projects. Specifically for connecting to 70/100V line systems, allowing multiple units to be linked across a room or venue. With two power taps on the built in transformer for maximum flexibility. The VRi-C6 offers impressive output levels once installed and its unobtrusive design will match any decor.
Specifications	
Model	VRi-C6
Woofer Size	6 inch
100V Transformer Power Taps	3W, 6W
SPL 1W/1m	93
Max SPL 1m	101 dB SPL
Frequency Response	130Hz > 18KHz
Input Connector	Push Spring Connectors
Enclosure	
Outside Diameter	187mm, (7.4")
Depth	75mm, (3")
Cutout	165mm, (6.5")
Installation Grip Range	4-20mm
Main Construction Material	ABS Plastic
Grille Main Material	Fine Circular Steel Mesh
Finish	White
Mounting Points	2x Spring loaded retaining clips
Unit weight	1Kg, 2.2 lbs
Single Carton dimensions (HWD)	80 x 185 x 185mm, (3.1" x 7.3" x 7.3")
Single Packed weight	1.1Kg, 2.4 lbs
EAN Code	5060109457100
Master Carton dimensions (HWD)	335 x 385 x 200mm, (13.2" x 15.2" x 7.9")
Master Packed weight	9.8Kg, 21.6 lbs
Master EAN Code	5060109457117



Quick spring loaded retaining clips for secure rattle free mounting



For polar plots, EASE modelling files, 2D and 3D drawings files, please check www.hhelectronics.com

1 Measured in Full space (4m) conditions
 2 Calculated maximum SPL based on rated power handling
 3 AES standard, pink noise with 6 dB crest factor, free air.

