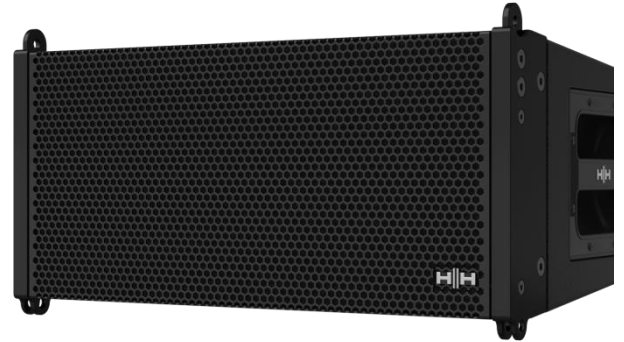


LA8D

2 x 8" Passive 2-Way Line Array Loudspeaker

FEATURES

- 2 x 8" mid-low frequency drivers, 1 x 2" high-frequency compression driver.
- 134dB Max SPL (Peak).
- Frequency Response of 80Hz - 18kHz (± 3 dB).
- 120° (H) x 10° (V) dispersion angle.
- Robust wooden enclosure with a wear-resistant finish.



APPLICATIONS

- Small to medium sized theatres
- Small to medium sized live music venues
- Corporate AV Events
- Fixed installations in concert halls, ballrooms and houses of worship.

DESCRIPTION

The LA8D is a 2-way dual 8" Line Array Loudspeaker that comprises 2 x 8" mid-low drivers alongside a 2" high-frequency compression driver with a magnesium alloy diaphragm with a maximum SPL of 134dB (Peak).

Through symmetrical phase alignment technology, the coupling characteristics between the two 8" mid-low drivers are optimised to improve the efficiency of the system. The all-neodymium structure of the high-frequency compression driver combined with HH phase plug technology provides pinpoint directional control.

The LA8D has a horizontal coverage angle of 120° and a vertical coverage angle of 10°.

The 520mm wide enclosure is designed to pair seamlessly with the S15-H sub enclosure and features a 3-point rigging system for easily linking and splaying multiple enclosures.

The enclosure is composed of robust plywood, finished with black paint and fitted with a hexagonal mesh steel grille with acoustic foam backing.

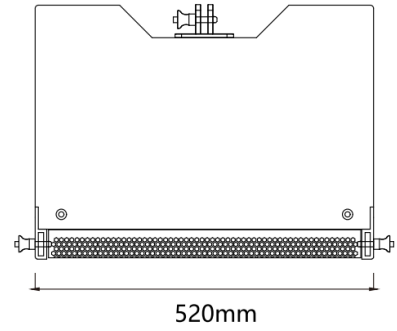
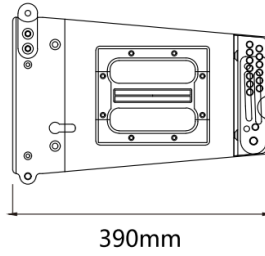
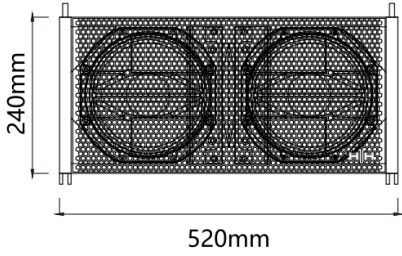


Specifications

Specifications	
System type	Dual 8" 2-way Line Array Loudspeaker
Frequency Response	80Hz-18kHz(±3dB)
	70Hz-20kHz(-10dB)
Horizontal Coverage Angle	120°
Vertical Coverage Angle	10°
Power Rating	LF:400W Continuous,1600W Peak
	HF:50W Continuous, 200W Peak
Maximum SPL	128dB Continuous, 134dB Peak
Sensitivity	102dB (1W@1m)
Nominal Impedance	LF:16 Ohms, HF: 16 Ohms
Speaker	
LF Driver	2 x 8" Low-Frequency Driver
HF Driver	1 x 2" High-Frequency Compression Driver
Enclosure	
Cabinet	Plywood
Finish	Painted Black
Mounting Bracket	LA8D-FLB for Suspended Mounting
Grille	Hexagonal Mesh Black Perforated Steel with Acoustic Foam Backing.
Fittings	2 x Side Handles, Rigging System
Rigging	3-Point Rigging System
Connect	
Connectors	2 x Speakon NL4
Pin Connections (Input)	1+/- (LF) and 2+/- (HF)
Pin Connections (Link)	1+/- and 2+/-
Dimensions (H/W/D)	240×520×390mm
Weight	16kg



DIMENSIONS



HH Electronics is a trading style of
Headstock Distribution Ltd,
Steelpark Road, Coombswood Business Park West,
Halesowen, West Midlands, B62 8HD, UK.
© 2024 HH Electronics Ltd
www.hhaudio.com

In the interest of continued development, HH reserves the right to amend
product specification without prior notification.

