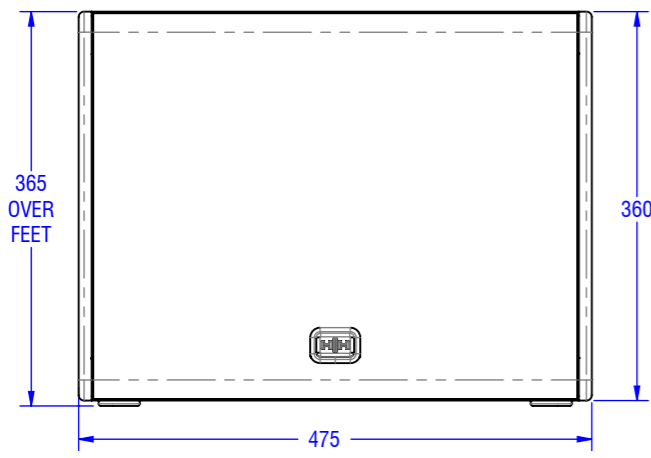
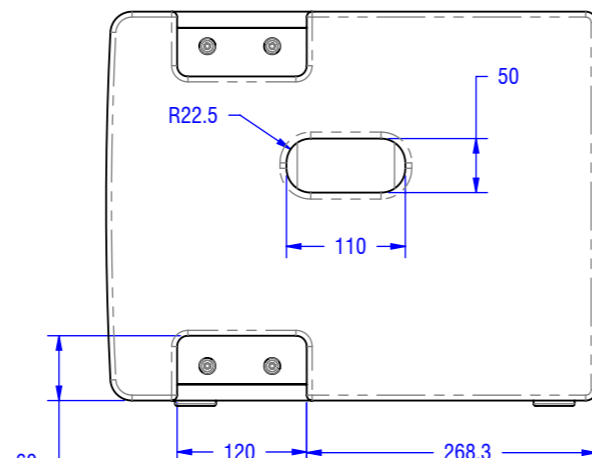


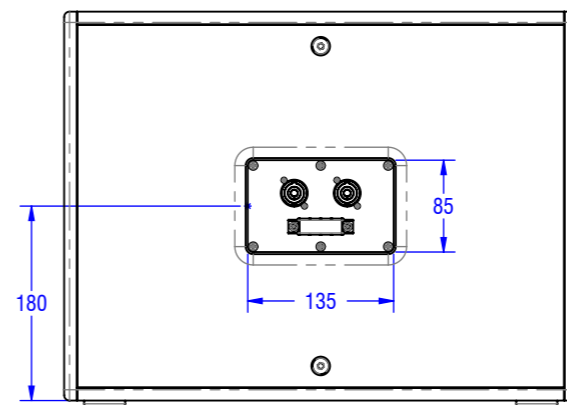
TOP



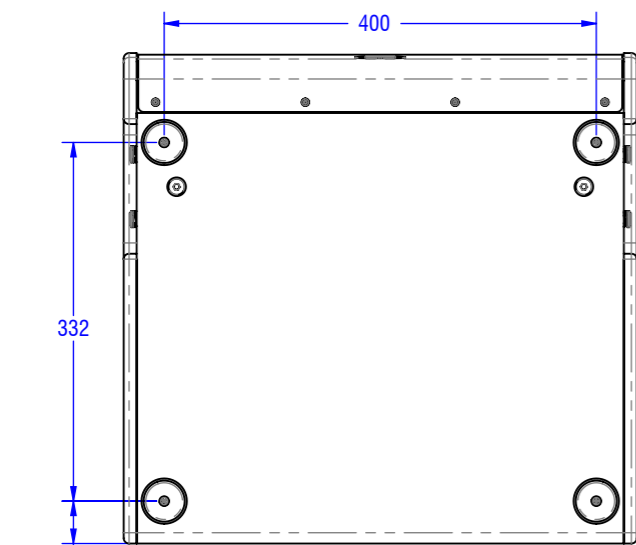
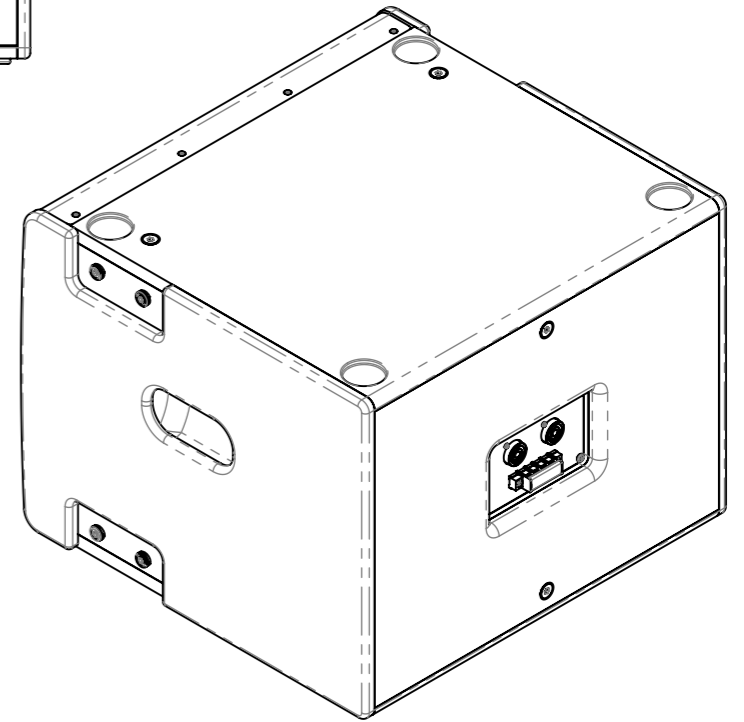
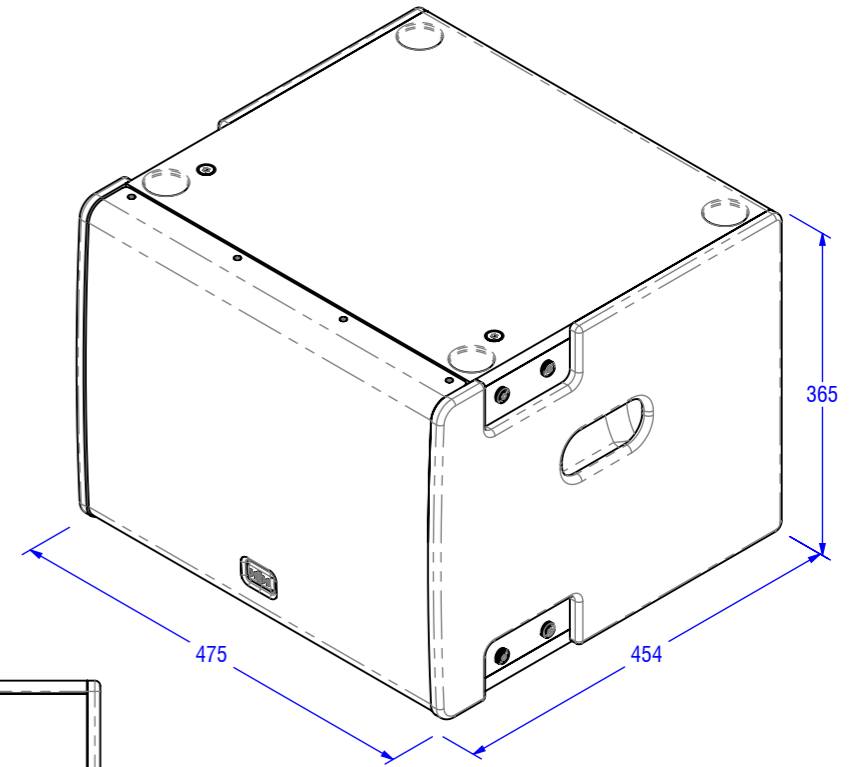
FRONT



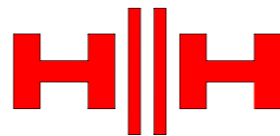
RIGHT



REAR



BASE



HH ELECTRONICS LTD  
 STEELPARK ROAD, COOMBS WOOD BUSINESS PARK,  
 HALESOWEN, WEST MIDLANDS, B62 8HD, UK  
 WWW.HHELECTRONICS.CO.UK

DESCRIPTION:  
**FULL ASSEMBLY**

STATE:  
**RELEASED**

UNLESS OTHERWISE STATED:  
 ALL DIMENSIONS ARE IN MILLIMETERS (mm)  
 LINEAR TOLERANCE  $\pm 0.5$  ANGULAR TOLERANCE  $\pm 1.0^\circ$

PROJECT TITLE:  
**TNA-1200S**

REFER TO 3D MODEL FOR FULL DIMENSIONAL DATA

THIS DRAWING REMAINS THE PROPERTY OF HH ELECTRONICS LIMITED.  
 THIS DRAWING, HARD COPY OR DIGITAL, AND ANY ATTACHMENTS ARE  
 CONFIDENTIAL, LEGALLY PRIVILEGED AND PROTECTED BY COPYRIGHT.

DWG NO. <b>14004</b>	REVISION: <b>1</b>
DATE: <b>04/10/2021</b>	RELEASED BY: <b>TB</b>
SCALE: <b>1:7</b>	SHEET SIZE: <b>A3</b>
	SHEET: <b>1/1</b>