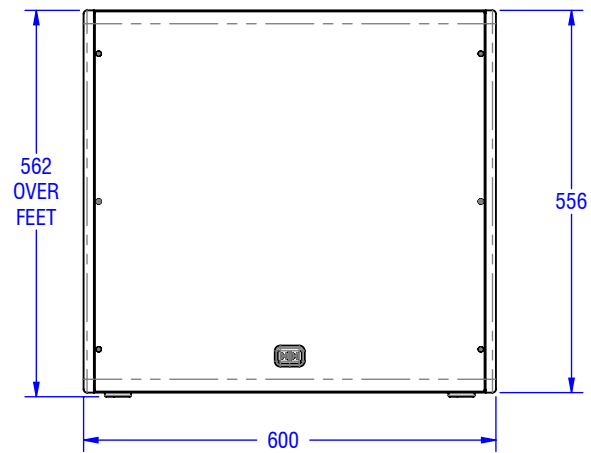
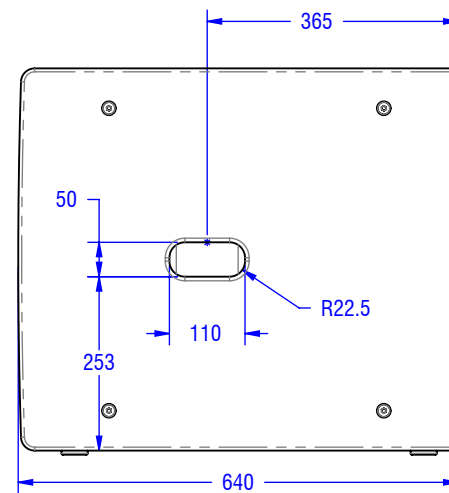


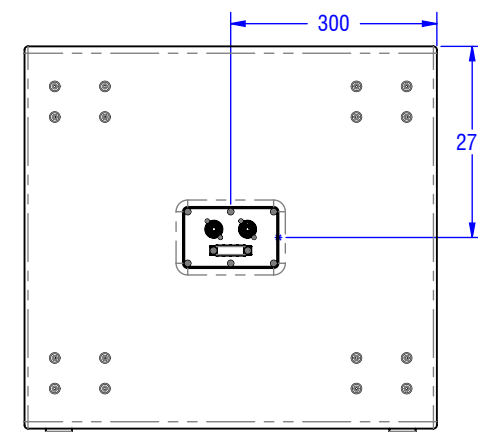
FRONT - NO GRILLE



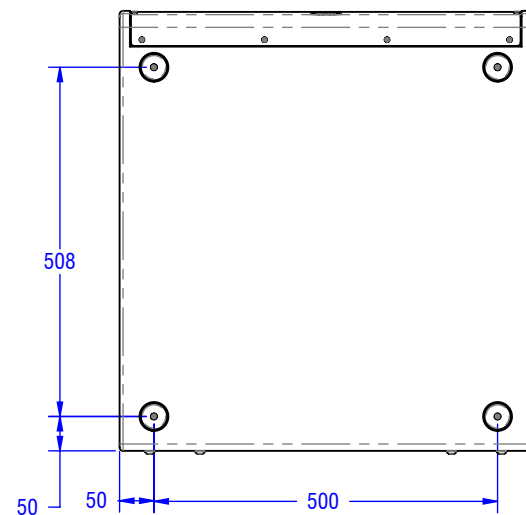
FRONT



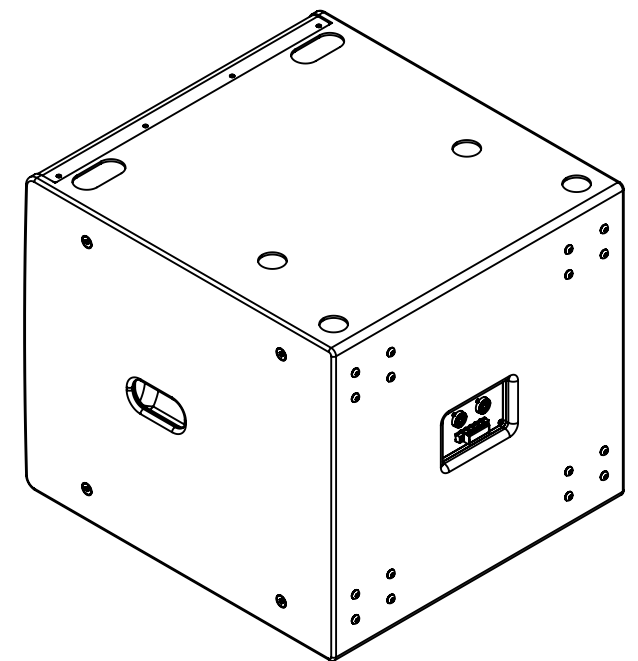
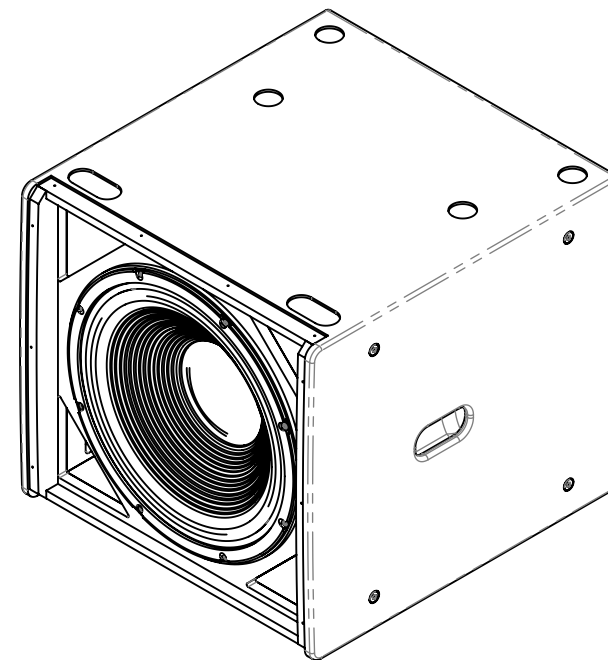
RIGHT



REAR



BASE



DESCRIPTION:
FULL ASSEMBLY

STATE:
RELEASED



UNLESS OTHERWISE STATED:
 ALL DIMENSIONS ARE IN MILLIMETERS (mm)
 LINEAR TOLERANCE ± 0.5 ANGULAR TOLERANCE $\pm 1.0^\circ$

PROJECT TITLE:
TNA-1800S

REFER TO 3D MODEL FOR FULL DIMENSIONAL DATA

THIS DRAWING REMAINS THE PROPERTY OF HH ELECTRONICS LIMITED.
 THIS DRAWING, HARD COPY OR DIGITAL, AND ANY ATTACHMENTS ARE
 CONFIDENTIAL, LEGALLY PRIVILEGED AND PROTECTED BY COPYRIGHT.

DWG NO.
14488

DATE:
07/10/2021

SCALE:
1:11

SHEET SIZE:
A3

REVISION:
1

RELEASED BY:
TB

SHEET:
1/1