

TNA-1800S-G2

Features

- 18" bass reflex passive subwoofer
- High sensitivity HH woofer
- High power capacity to ensure impressive coverage without compression
- Robust all wood construction, hard wearing finish
- Multiple connection options



INPUT PANEL

Applications

- Bars And Clubs
- Live Sound Reinforcement
- Ballrooms
- Conference / Speech
- Worship



Description

The TNA-1800S-G2 passive line array subwoofer features a HH designed 18" low frequency woofer with exceptional high output. Equipped with integrated rigging hardware, the TNA-1800-G2 can be installed quickly and easily. The TNA-1800S-G2 offers a max SPL of 135 dB and offers a frequency response as low as 30Hz. When combined with the TNA-2051 and TNA-1200S-G2, the TNA-1800S-G2 offers an ideal venue installation or point source solution. Ideal for venues, schools, sports, gyms, hotels and more.

Specifications

Model	TNA-1800S-G2
System type	18" Passive Subwoofer, Bass Reflex
Woofer Size	18" HH Designed High Performance Driver, 3" Voice Coil
Nominal System Impedance	4 ohm
Power Rating	500W AES, 1000W Continuous, 2000W Peak
Recommended Amplifier	1000-2000W @ 4 Ohms
Sensitivity 1W/1m	96 dB SPL
Maximum SPL (1m)	129 dB SPL, 135 dB SPL (Peak)
Frequency response	30Hz - 1KHz (-10dB) 40Hz - 500Hz (-3dB)
Recommended LPF Frequency	160Hz
Input Connector	NL4 ±1 Twist Lock Connector and M4 Barrier Strip Terminal (10mm Pitch)
Link Connector	NL4 ±1 Twist Lock Connector and M4 Barrier Strip Terminal (10mm Pitch)
Enclosure	
Main Construction Material	Robust all wood construction (15mm plywood) with extensive internal bracing to eliminate vibrational modes
Finish	Hard wearing black spatter finish
Grille	Powdercoated steel with acoustic foam backing
Mounting Points	8x M10 Penn Elcom tie down/flying points for optional TNA-BRK3 frame. 16x M8 inserts for optional transport wheels
Unit dimensions (HWD)	562 x 600 x 640mm, 22.1" x 23.6" x 25.2"
Unit weight	35.7Kg, 78.7 lbs
Carton dimensions (HWD)	740 x 765 x 730mm, 29.1" x 30.1" x 28.7" , 0.413 M3
Packed weight	42.8Kg, 94.4 lbs
EAN Code	5060109457803

In the interest of continued development, HH reserves the right to amend product specification without prior notification.

1 AES standard Pink Noise 12dB crest factor 2 hours
2 Measured in half space (2π) conditions
3 Calculated maximum SPL based on rated power handling ½ space



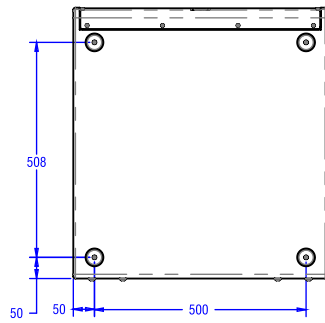


PASSIVE SUBWOOFER

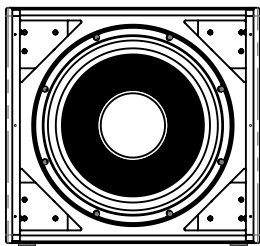
T E S S E N

LIVE SOUND & INSTALLATION

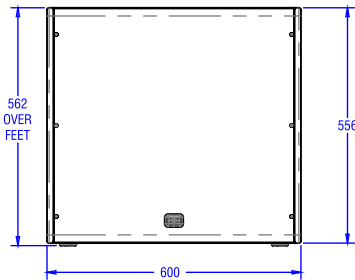
DIMENSIONS (in mm)



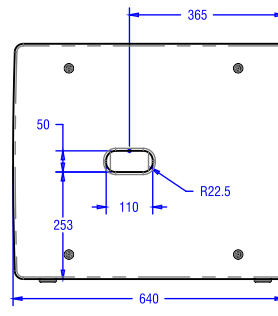
BASE



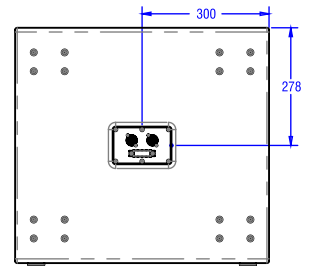
FRONT - NO GRILLE



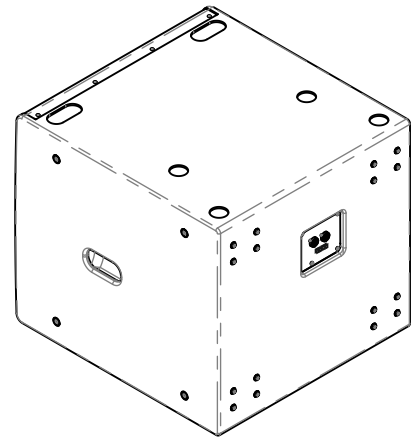
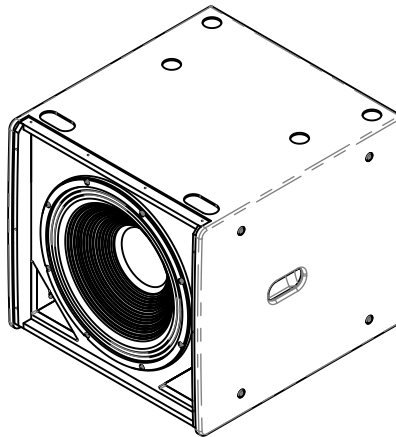
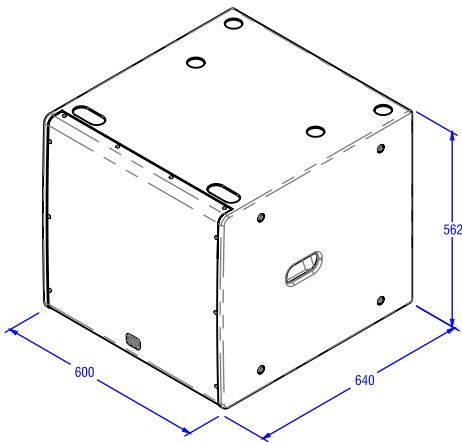
FRONT

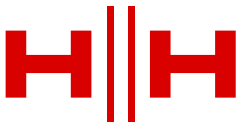


RIGHT



REAR



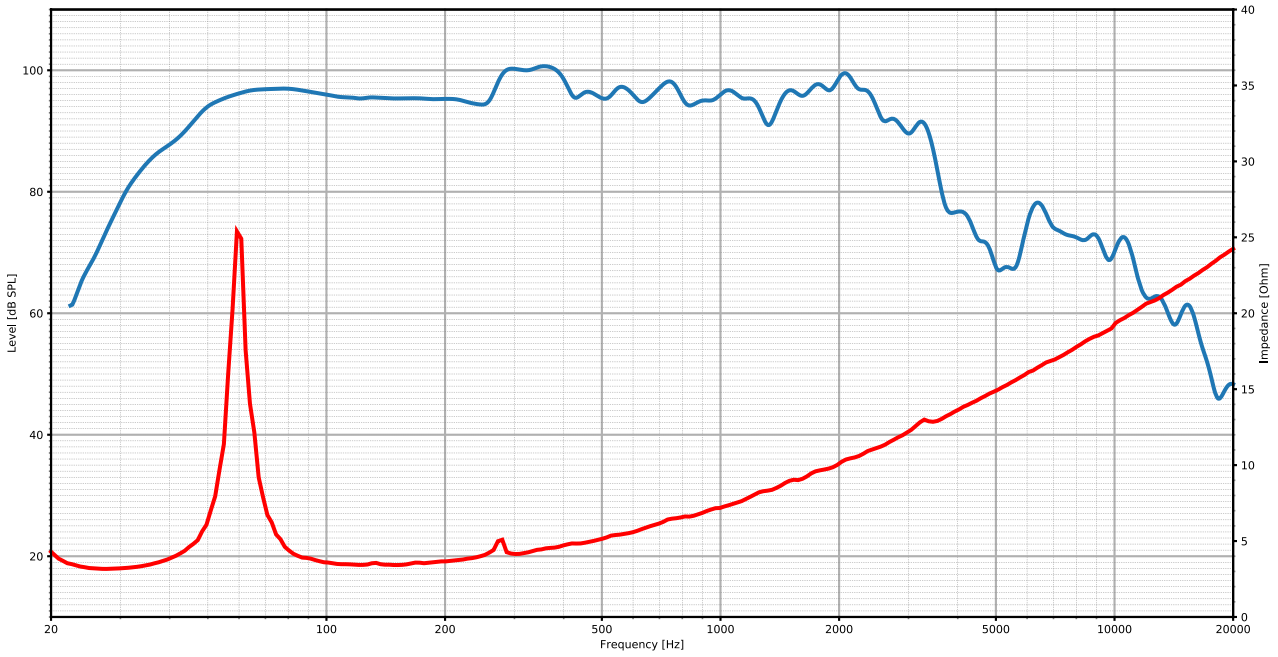


PASSIVE SUBWOOFER

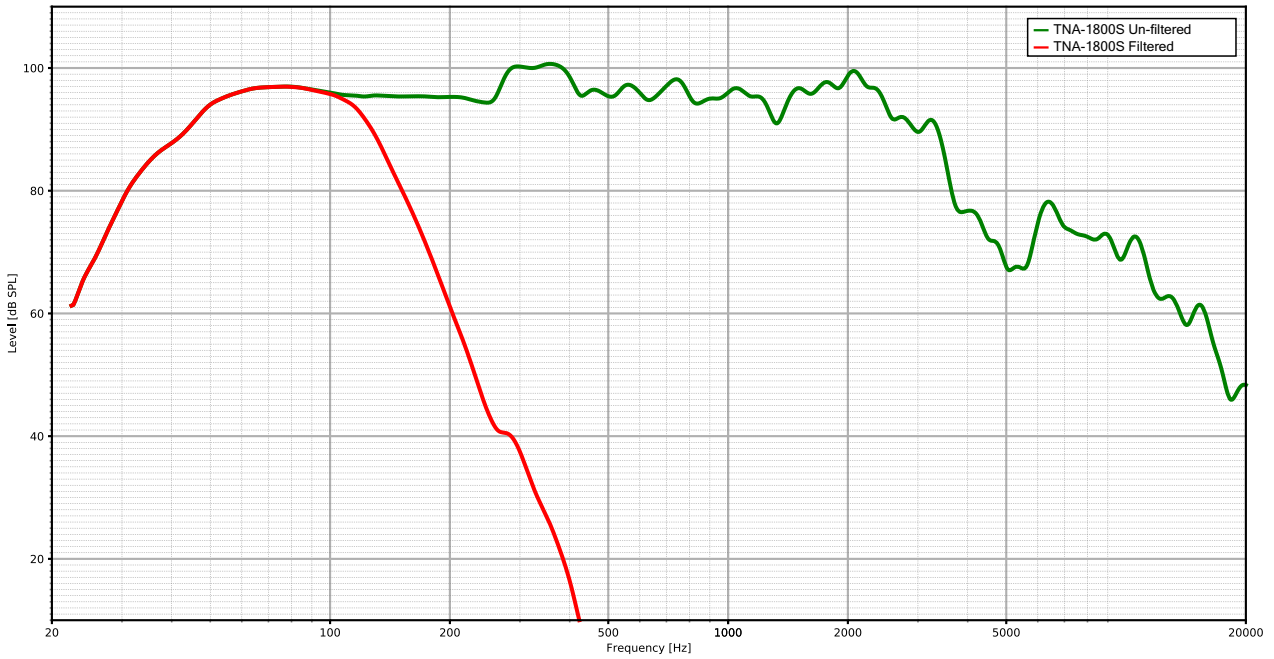
T E S S E N

LIVE SOUND & INSTALLATION

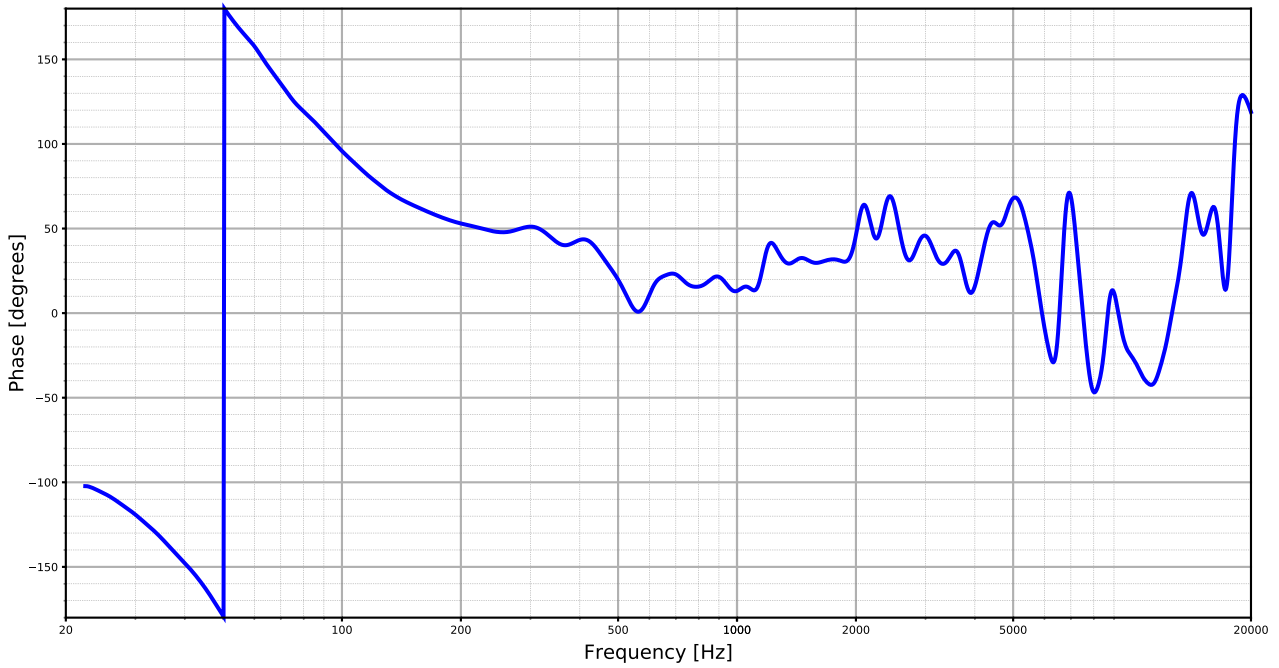
SPL / IMPEDANCE



RECOMMENDED FILTER RESPONSE



PHASE PLOT



WIRING

