

T E S S E N

LIVE SOUND & INSTALLATION

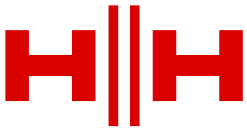
**TNA-205 I & TNA-I200S-G2
USER MANUAL**



DESIGNED AND ENGINEERED IN THE UK
WWW.HHELECTRONICS.COM

1. _____	COVER PAGE
2. _____	CONTENTS
3. _____	EN GENERAL INSTRUCTIONS
4. _____	EN INTRODUCTION/REAR PANEL
5. _____	EN SIDE BRACKET - STACKING
6. _____	EN TNA-BRKI - FLYING BRACKET
7. _____	EN SAFETY
8. _____	EN TNA-DFI - DOLLY BOARD
9. _____	EN 4 CHANNEL SETUP
10. _____	EN 2 CHANNEL SETUP
11. _____	EN TNA-I200S - SPECIFICATIONS / CABINET DIMENSIONS
12. _____	EN TNA-205I - SPECIFICATIONS / CABINET DIMENSIONS
13-18. _____	FR LANGUE FRANÇAISE
19-24. _____	DE DEUTSCHE SPRACHE
25-30. _____	ES LENGUA ESPAÑOLA
31-36. _____	PT IDIOMA PORTUGUES
37-42. _____	CN 中文
43-48. _____	KR 한국어





LINE ARRAY

T E S S E N

LIVE SOUND & INSTALLATION

GENERAL INSTRUCTIONS

In order to take full advantage of your new product and enjoy long and trouble-free performance, please read this owner's manual carefully, and keep it in a safe place for future reference.

- 1) Unpacking: On unpacking your product please check carefully for any signs of damage that may have occurred whilst in transit from the HH factory to your dealer. In the unlikely event that there has been damage, please re-pack your unit in its original carton and consult your dealer. We strongly advise you to keep your original transit carton, since in the unlikely event that your unit should develop a fault, you will be able to return it to you dealer for rectification securely packed.
2) Amplifier Connection: In order to avoid damage, it is advisable to establish and follow a pattern for turning on and off your system. With all system parts connected, turn on source equipment, tape decks, cd players, mixers, effects processors etc, BEFORE turning on your amplifier. Many products have large transient surges at turn on and off which can cause damage to your speakers.
3) Cables: Never use shielded or microphone cable for any speaker connections as this will not be substantial enough to handle the amplifier load and could cause damage to your complete system.
4) Servicing: The user should not attempt to service these products. Refer all servicing to qualified service personnel.

This product conforms to the requirements of the following European Regulations, Directives & Rules: CE Mark (93/68/EEC), Low Voltage (2014/35/EU), EMC (2014/30/EU), RoHS (2011/65/EU), ErP (2009/125/EU).

In order to reduce environmental damage, at the end of its useful life, this product must not be disposed of along with normal household waste to landfill sites. It must be taken to an approved recycling centre according to the recommendations of the WEEE (Waste Electrical and Electronic Equipment) directive applicable in your country.

http://support.hhelectronics.com/approvals

- 1. Read these instructions.
2. Keep these instructions safe.
3. Heed all warnings.
4. Follow all instructions.
5. Do not use this apparatus near water.
6. Clean only with a dry cloth.
7. Do not block any of the ventilation openings. Install in accordance with manufacturer's instructions.
8. Do not install near any heat sources such as radiators, heat registers, stoves or other apparatus (including amplifiers) that produce heat.
9. An apparatus with Class I construction shall be connected to a mains socket outlet with a protective connection. Do not defeat the safety purpose of the polarized or grounding-type plug. A polarized plug has two blades with one wider than the other. A grounding type plug has two blades and a third grounding prong. The wide blade or third prong is provided for your safety. If the provided plug does not fit into your outlet, consult an electrician for replacement of the obsolete outlet.
10. Protect the power cord from being walked on or pinched, particularly at plugs, convenience receptacles, and the point they exit from the apparatus.
11. Only use attachments/accessories provided by the manufacturer.
12. Use only with a cart, stand, tripod, bracket, or table specified by the manufacturer, or sold with the apparatus. When a cart is used, use caution when moving the cart/apparatus combination to avoid injury from tip-over.
13. The mains plug or appliance coupler is used as the disconnect device and shall remain readily operable. The user should allow easy access to any mains plug, mains coupler and mains switch used in conjunction with this unit thus making it readily operable. Unplug this apparatus during lightning storms or when unused for long periods of time.
14. Refer all servicing to qualified service personnel. Servicing is required when the apparatus has been damaged in any way, such as when power-supply cord or plug is damaged, liquid has been spilled or objects have fallen into the apparatus, the apparatus has been exposed to rain or moisture, does not operate normally, or has been dropped.
15. Never break off the ground pin. Connect only to a power supply of the type marked on the unit adjacent to the power supply cord.
16. If this product is to be mounted in an equipment rack, rear support should be provided.
17. This electrical apparatus should not be exposed to dripping or splashing and care should be taken not to place objects containing liquids, such as vases, upon the apparatus.
18. Exposure to extremely high noise levels may cause a permanent hearing loss. Individuals vary considerably in susceptibility to noise-induced hearing loss, but nearly everyone will lose some hearing if exposed to sufficiently intense noise for a sufficient time. The U.S. Government's Occupational Safety and Health Administration (OSHA) has specified the following permissible noise level exposures: According to OSHA, any exposure in excess of the above permissible limits could result in some hearing loss. Earplugs or protectors to the ear canals or over the ears must be worn when operating this amplification system in order to prevent a permanent hearing loss, if exposure is in excess of the limits as set forth above. To ensure against potentially dangerous exposure to high sound pressure levels, it is recommended that all persons exposed to equipment capable of producing high sound pressure levels such as this amplification system be protected by hearing protectors while this unit is in operation.
20. Symbols & nomenclature used on the product and in the product manuals, intended to alert the operator to areas where extra caution may be necessary, are as follows: Intended to alert the user to the presence of high 'Dangerous Voltage' within the products enclosure that may be sufficient to constitute a risk of electrical shock to persons. Intended to alert the user of the presence of important operating and maintenance (Servicing) instructions in the literature accompanying the product.

Table with 2 columns: Duration Per Day in Hours and Sound Level dBA, slow response. Values range from 8 hours at 90 dBA to 1/4 or inferior at 115 dBA.



Risk of electrical shock - DO NOT OPEN. To reduce the risk of electrical shock, do not remove the cover. No user serviceable parts inside. Refer servicing to qualified personnel. To prevent electrical shock or fire hazard, do not expose this appliance to rain or moisture. Before using this appliance please read the operating instructions.



LINE ARRAY

INTRODUCTION

With live sound applications increasing in demand, users require more from their audio system. The TNA mini line array provides high output within a compact system. Suitable as either a permanently installed sound system or for portable use, the TNA mini line array delivers crystal clear dynamics.

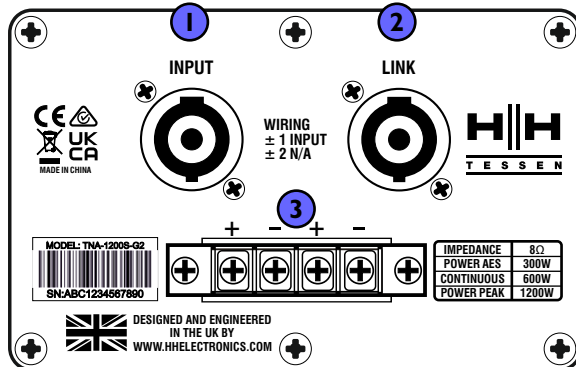
The TNA range comprises of TNA-205 I; Dual HH designed 5" two-way passive line array speaker with custom designed Celestion compression driver and wave guide, the TNA-I200S-G2 and TNA-I800S-G2, 12" and 18" (respectively) high performance passive subwoofers.

Along with the TNA speaker enclosures are premium constructed accessories. The TNA-BRK I solid steel flying bracket provides secure suspension of the TNA system when installed. The TNA-DFI wheeled dolly frame attaches to the TNA-I200S-G2 providing flexible transport of a stacked system.

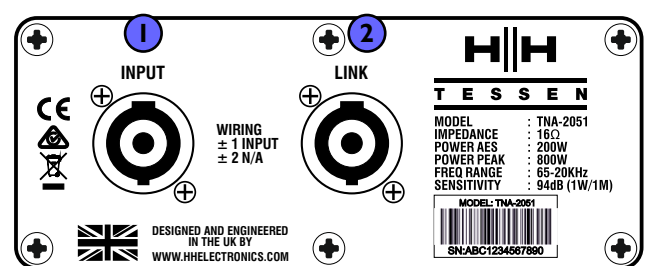
TNA mini line array – the perfect mobile or installed audio solution.

REAR PANEL - I/O

TNA-I200S-G2



TNA-205 I



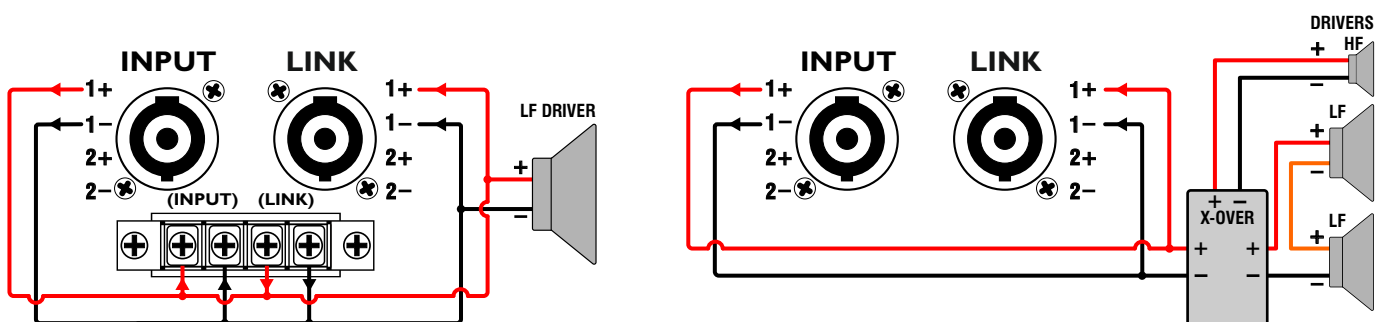
As with the TNA-I800S-G2, both the TNA-I200S-G2 and TNA-205 I feature NL4 ± I Twist Lock Connectors with additional M4 terminal connectors on the TNA-I200S-G2.

1: INPUT: To be connected to the Output of your chosen amplifier. Check the technical specification of your amplifier to ensure its drive capability and output power are suitable for use with a TNA-I200S-G2 cabinet.

2: LINK: Connected in parallel with the INPUT connector allowing for additional cabinets to be added to the speaker chain.

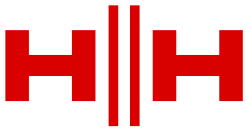
3: M4 TERMINAL CONNECTORS: Provided for additional wiring flexibility. These are internally connected to the NL4 connectors as can be seen in the diagram below.

SYSTEM DIAGRAMS



DO NOT CONNECT A SECOND AMPLIFIER TO THE LINK OUTPUT OR THE M4 TERMINAL CONNECTORS!





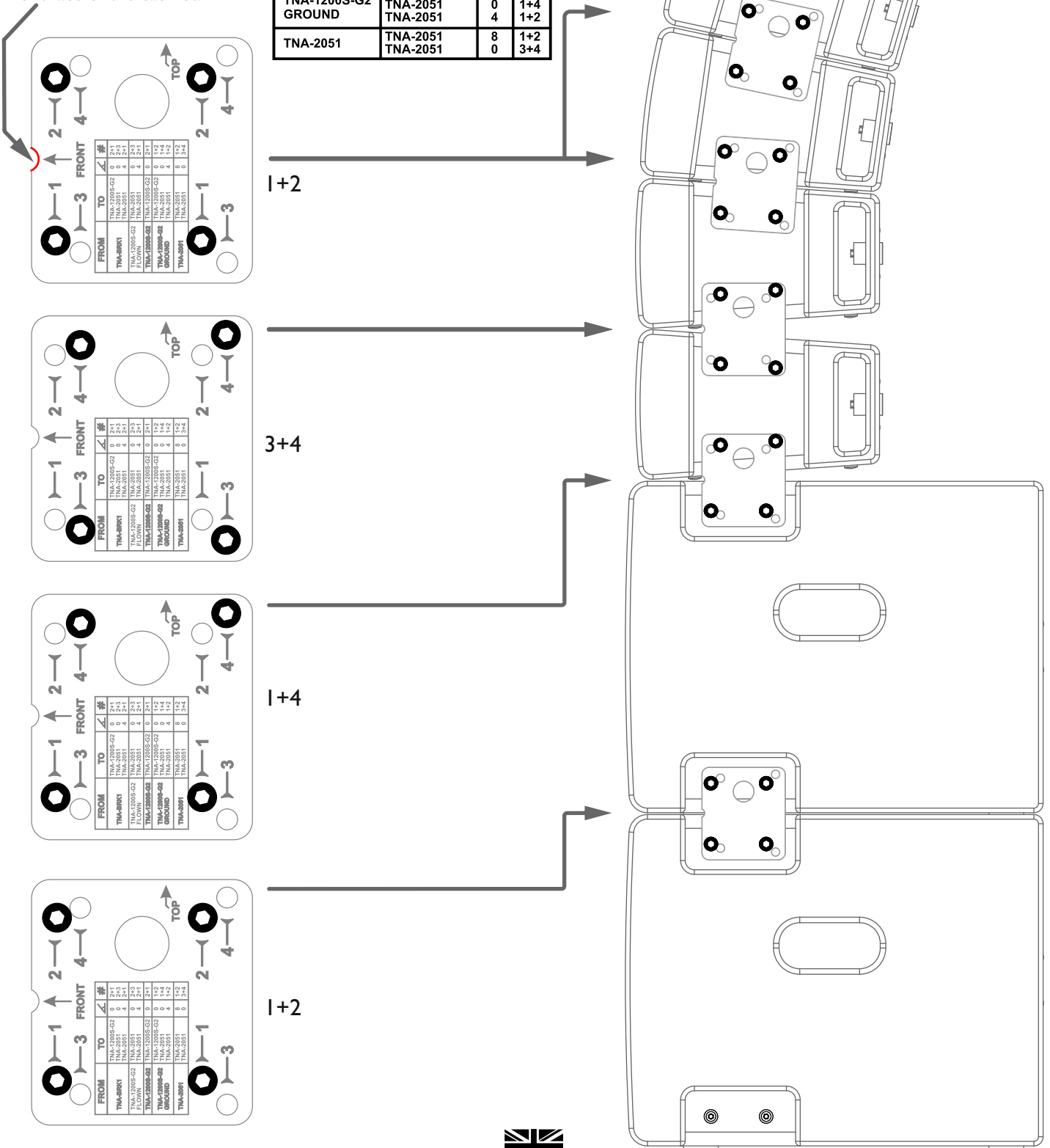
LINE ARRAY

The TNA side bracket is used to provide the mechanical fixing/support between TNA-1200S-G2 sub cabinet and TNA-2051 satellite cabinets. Depending on the combination of holes used, a horizontal or angled arrangement can be achieved.

The fit options are printed on the side bracket.

In all instances, the location notch should point towards the front face of the cabinet.

FROM	TO	∠	#
TNA-BRK1	TNA-1200S-G2	0	2+1
	TNA-2051	0	2+3
	TNA-2051	4	2+1
TNA-1200S-G2 FLOWN	TNA-2051	0	2+3
	TNA-2051	4	2+1
TNA-1200S-G2	TNA-1200S-G2	0	2+1
TNA-1200S-G2 GROUND	TNA-1200S-G2	0	1+2
	TNA-2051	0	1+4
	TNA-2051	4	1+2
TNA-2051	TNA-2051	8	1+2
	TNA-2051	0	3+4





LINE ARRAY

TNA-BRK1 - FLYING BRACKET



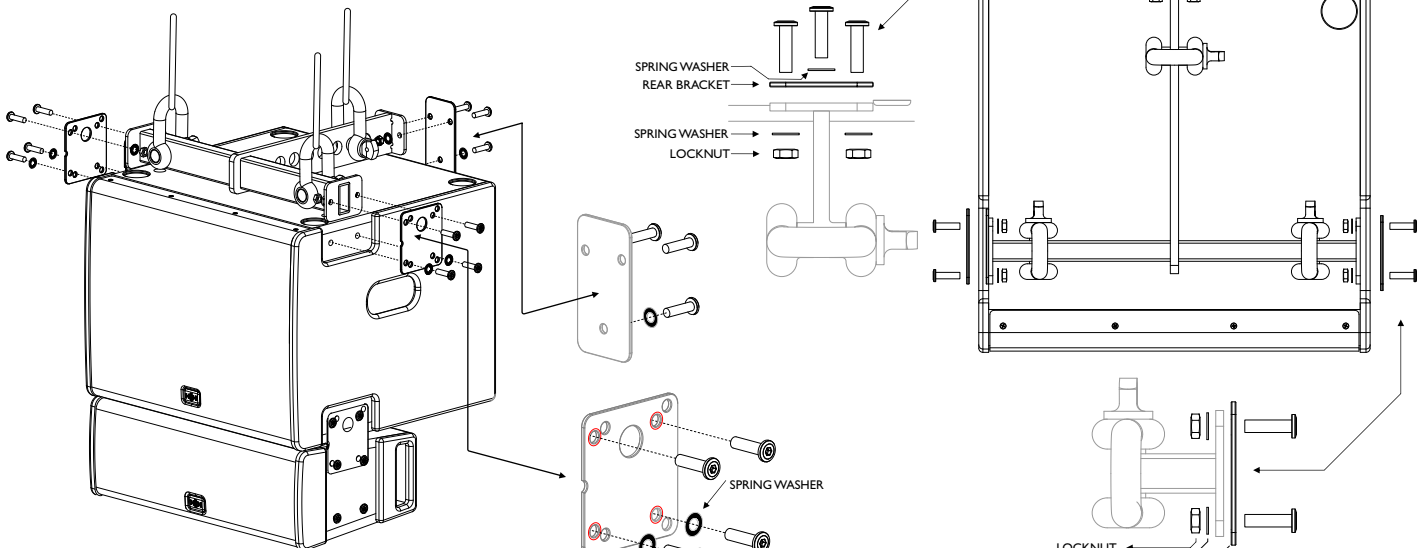
The TNA-BRK1 flying bracket for use with the TNA-1200S-G2 and TNA-2051. With its solid steel construction, the TNA-BRK1 securely supports up to two TNA-1200S-G2 and eight TNA-2051 enclosures simultaneously.

KIT CONTENTS

	1 x Lift Bracket assembly
	3 x D-shackle
	2 x Side plate
	1 x Rear plate
	7 x M8x25mm connector bolt
	7 x Spring washers
	6 x M8 lock nuts

FLYING BRACKET - TNA-1200S-G2

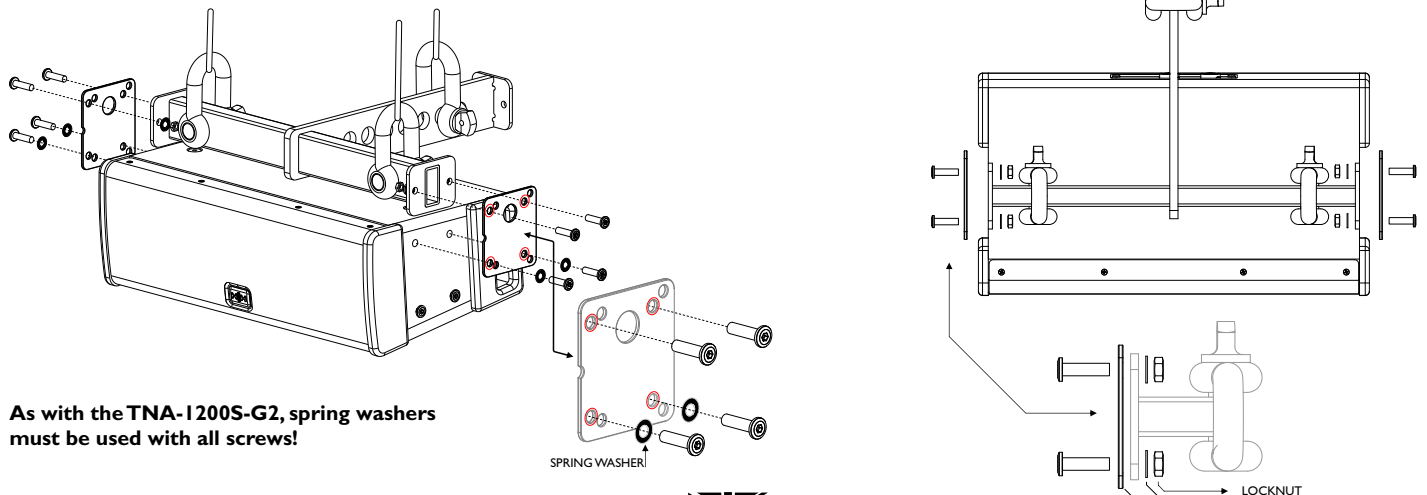
The TNA-BRK1 is attached to the TNA-1200S-G2 using two Side Brackets and one Rear Bracket.



Spring washers must be used with each screw!
Be extremely careful to not cross thread the side screws when filling the brackets!

FLYING BRACKET - TNA-2051

A TNA-2051 requires the use of Side Brackets only.



As with the TNA-1200S-G2, spring washers must be used with all screws!



LINE ARRAY
SAFETY

The flying of cabinets should be performed only by properly qualified persons, in compliance with all local laws and using approved hardware.

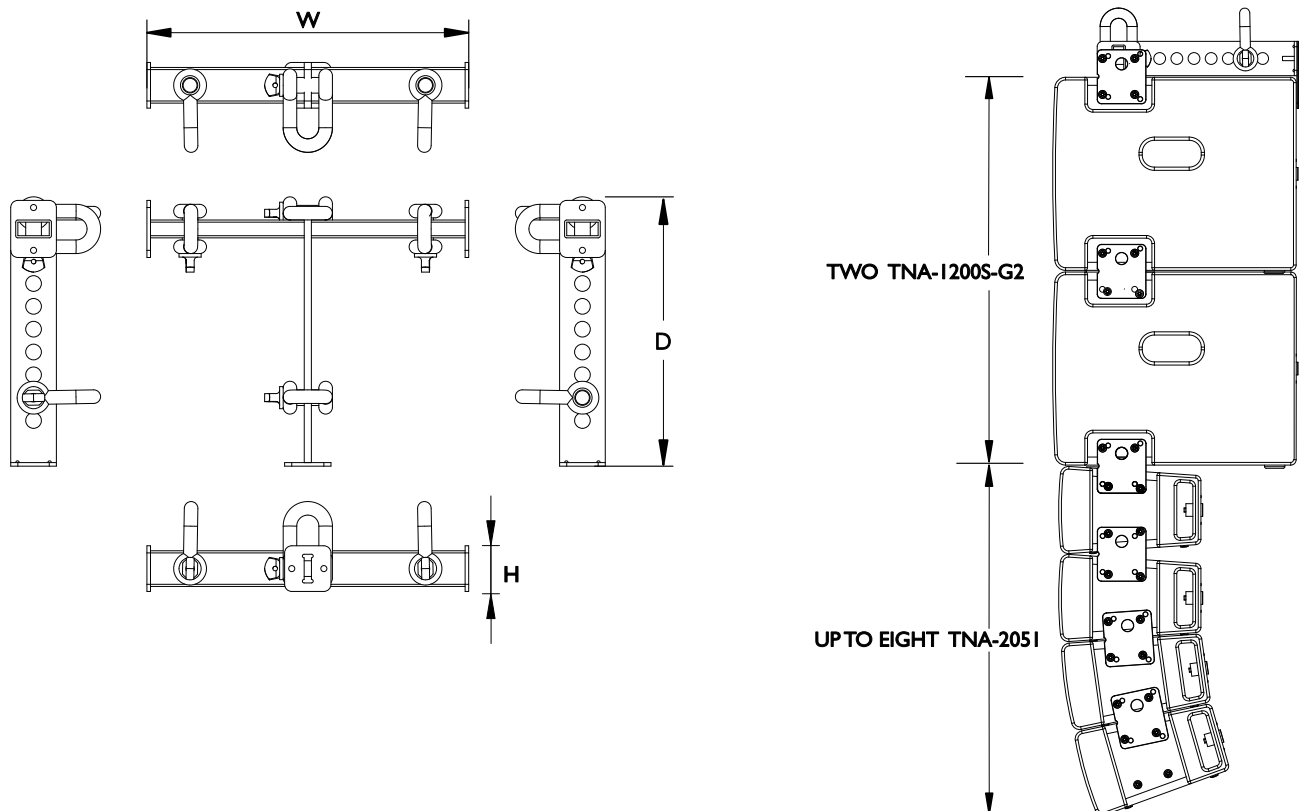
It is the installers responsibility to ensure the point of fixing is structurally adequate to support the weight of the cabinets.

The rigging or suspended mounting of these speakers can expose members of the public to serious health risks or even death.

Under no circumstances attempt to rig, suspend or otherwise mount this system unless you are fully qualified and certified to do so by relevant local, state and national authorities. All relevant safety regulations must be followed. If you are not properly qualified or do not know of pertinent regulations, consult qualified personnel for advice and assistance.

For added safety, it is strongly recommended that the audio connections, mechanical fixings and mounting brackets are checked periodically.

Depending on local regulations, additional pull back supports may be required.

TNA-BRK1 MAXIMUM SUPPORT LIMIT


*extra pull-back support required for more than 4 TNA-2051

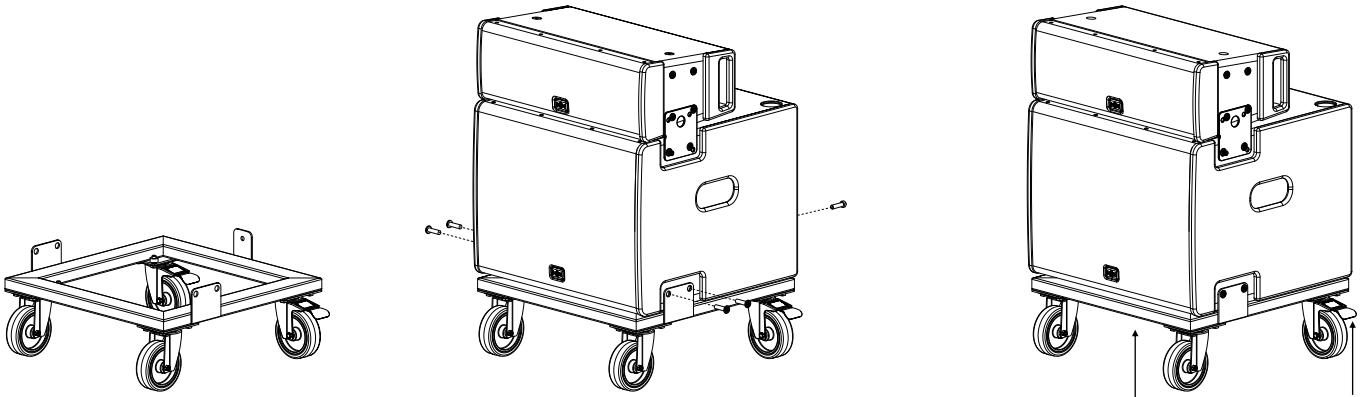
SPECIFICATIONS

Model	TNA-BRK1
Suspension Type	The bracket allows you to fit upto three D-shackles (included)
Mounting Type	Five M8 mounting points hold the bracket securely to the cabinet
Max Load Weight	120Kg, 264lbs
Max Unit Load	8x TNA-2051 & 2x TNA-1200S-G2 OR 4x TNA-1200S-G2
Unit dimensions (HWD)	64 x 451 x 340mm, 2.5" x 17.8" x 13.4"
Unit weight	5.6Kg, 12.3 lbs
Carton dimensions (HWD)	145 x 505 x 430mm, 5.7" x 19.9" x 16.9" , 0.031 M3
Packed weight	6.7Kg, 14.8 lbs

In the interest of continued development, HH reserves the right to amend product specification without prior notification.

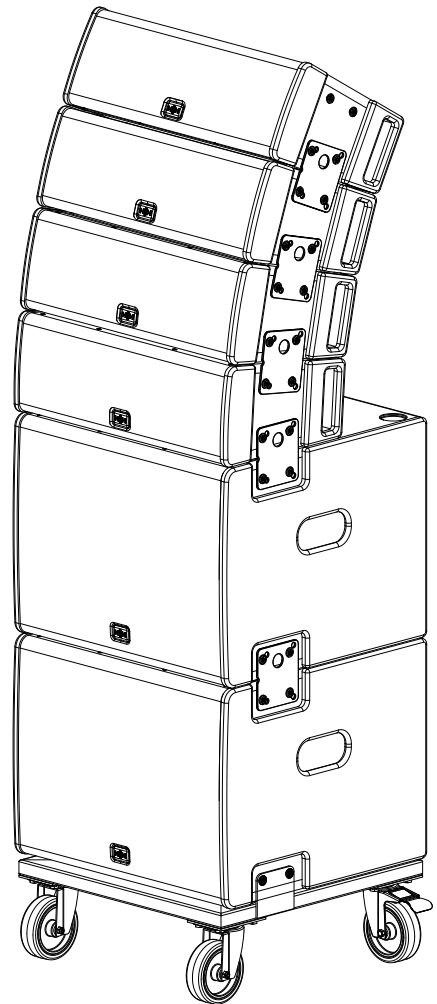
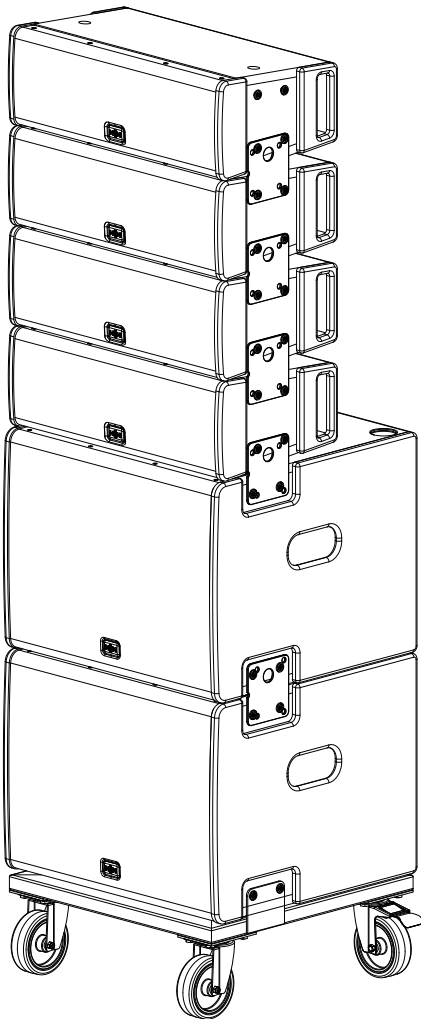


With its lightweight rugged design the TNA-DFI allows for cabinets to be easily repositioned and configured to suit the requirement at hand.



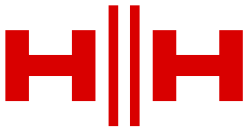
The TNA-I200S-G2 is secured to the TNA-DFI (using two side and one rear bracket) with six M8 x 20 hex bolts.

Ensure the breaks are engaged on the rear wheels once the array has been suitably positioned.



PLEASE NOTE: A maximum of four TNA-205I and two TNA-I200S-G2 should be used on the Dolly Board.





LINE ARRAY
TYPICAL SETUP

1800S
40>120Hz

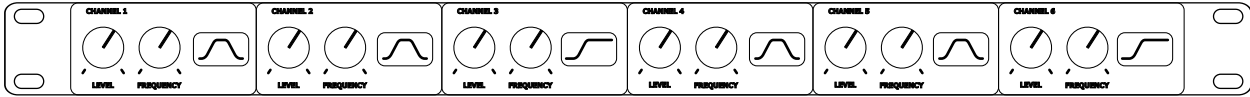
1200S
60>250Hz

2051
250Hz

1800S
40>120Hz

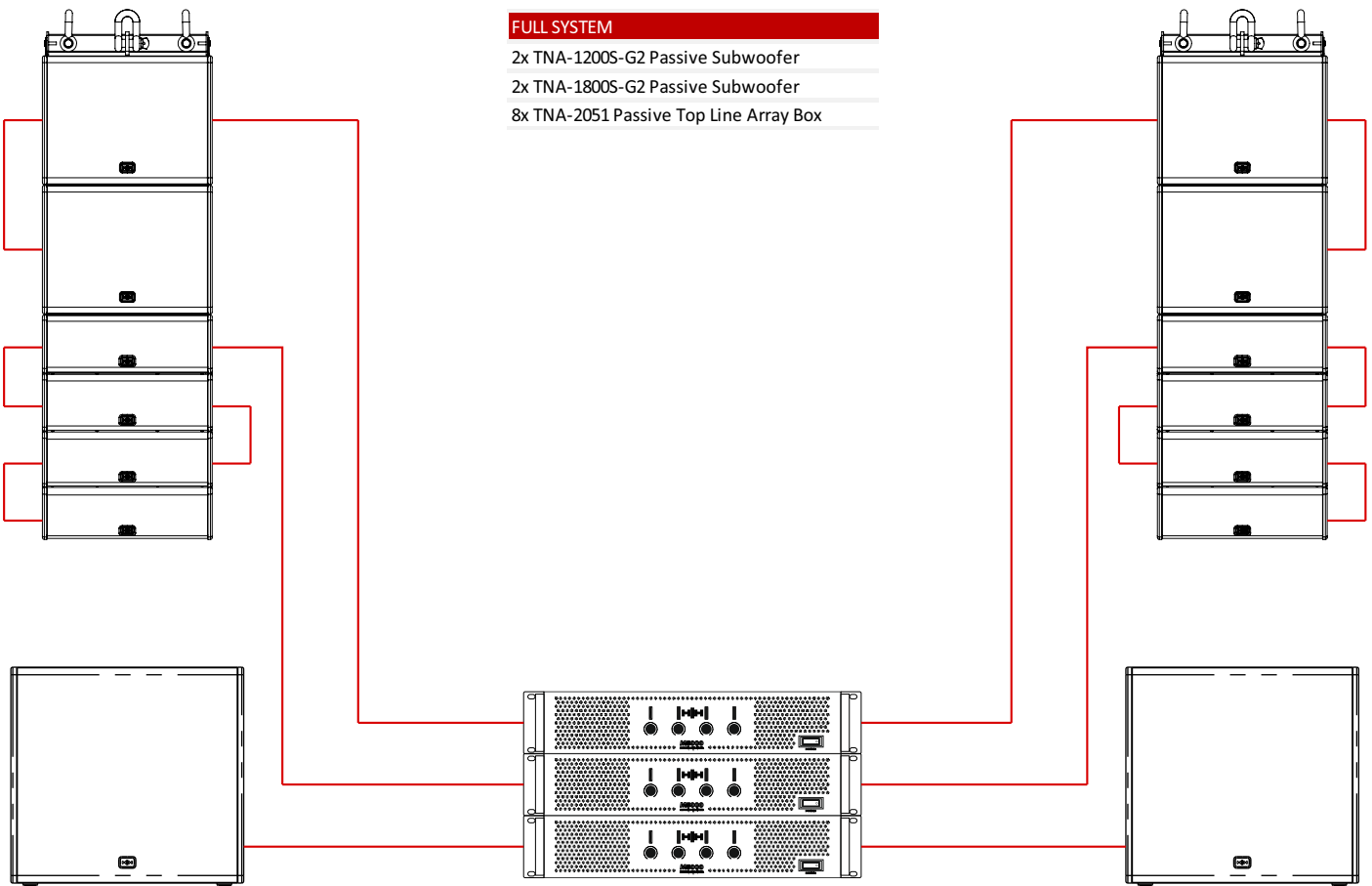
1200S
60>250Hz

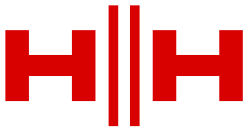
2051
250Hz



FULL SYSTEM

- 2x TNA-1200S-G2 Passive Subwoofer
- 2x TNA-1800S-G2 Passive Subwoofer
- 8x TNA-2051 Passive Top Line Array Box





LINE ARRAY

TYPICAL SETUP 2

1800S
40>120Hz

1200S
60>250Hz

2051 (1)
250Hz

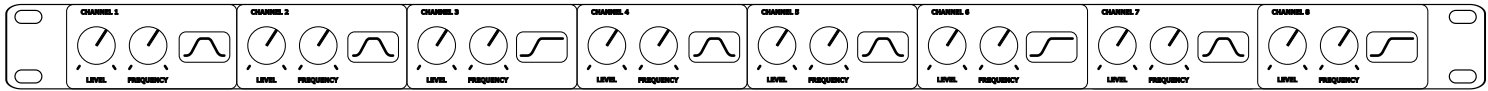
2051 (2)
250Hz

1800S
40>120Hz

1200S
60>250Hz

2051 (1)
250Hz

2051 (2)
250Hz

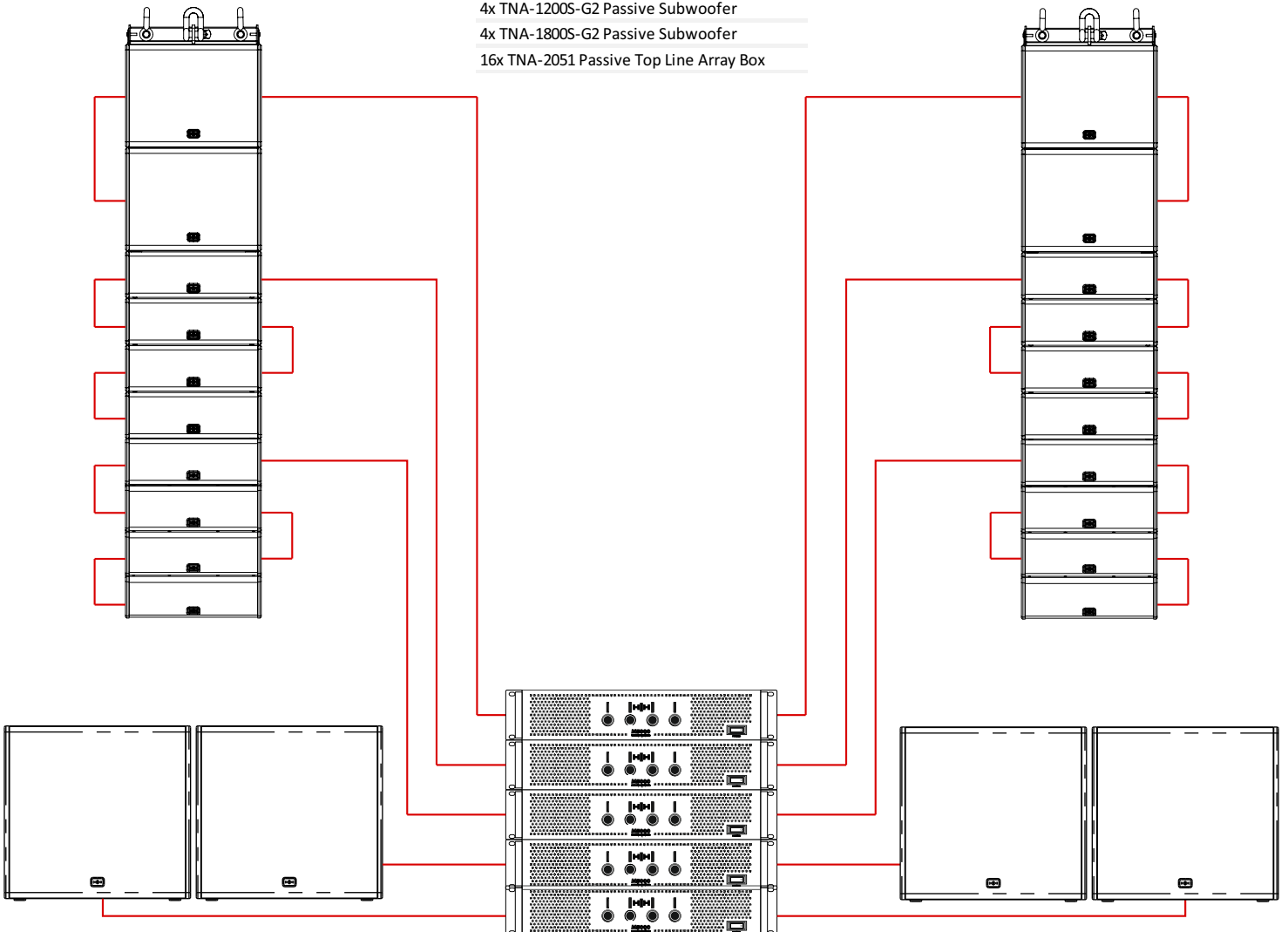


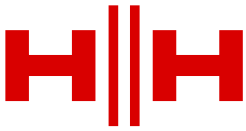
FULL SYSTEM 2

4x TNA-1200S-G2 Passive Subwoofer

4x TNA-1800S-G2 Passive Subwoofer

16x TNA-2051 Passive Top Line Array Box





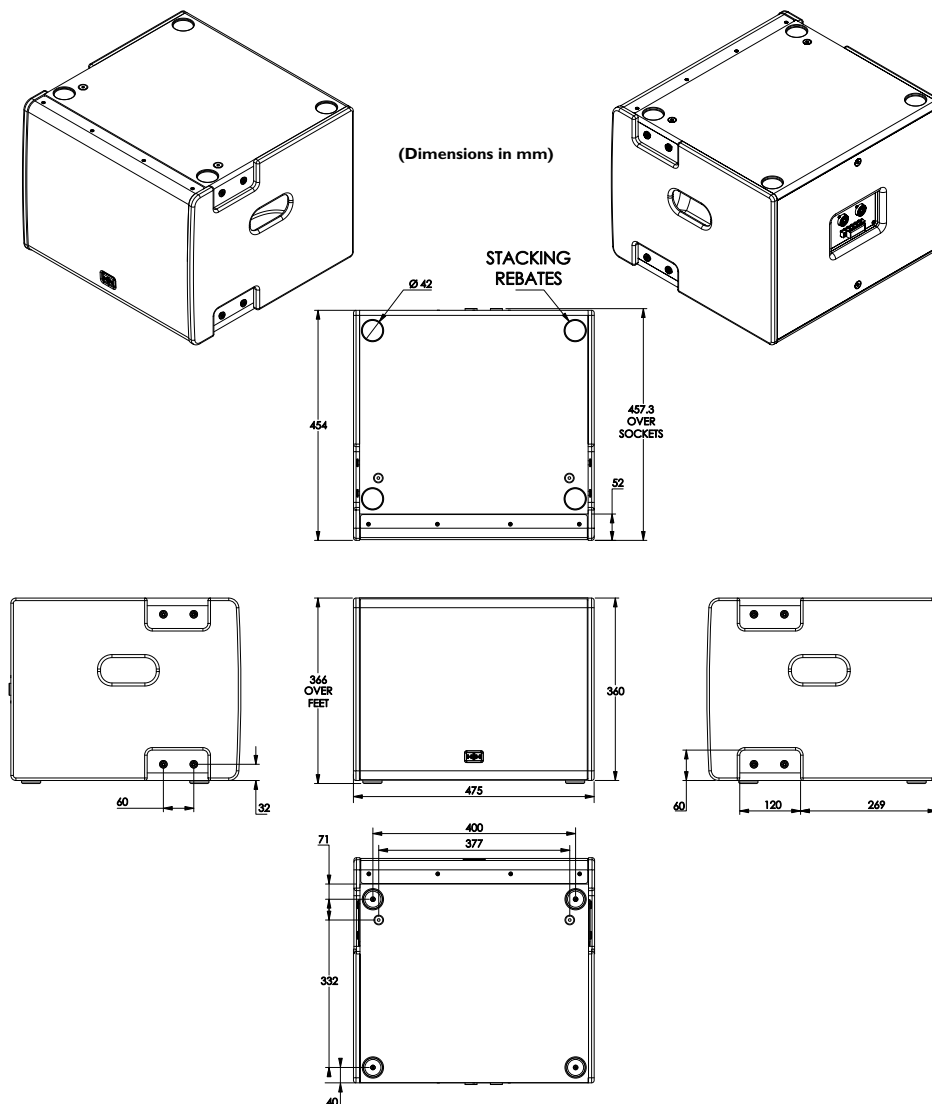
LINE ARRAY

TNA-1200S-G2 - SPECIFICATIONS

Model	TNA-1200S-G2
System type	12" Passive Subwoofer, Bass Reflex
Woofer Size	12" HH Designed High Performance Driver, 2.5" Voice Coil
Nominal System Impedance	8 ohm
Power Rating	300W AES, 600W Continuous, 1200W Peak
Recommended Amplifier	600-1200W @ 4 Ohms
Sensitivity 1W/1m	95 dB SPL
Maximum SPL (1m)	126 dB SPL, 132 dB SPL (Peak)
Frequency response	39 - 200Hz (-10dB) 47 - 120Hz (-3dB)
Input Connector	NL4 ±1 Twist Lock Connector and M4 Barrier Strip Terminal (10mm Pitch)
Link Connector	NL4 ±1 Twist Lock Connector and M4 Barrier Strip Terminal (10mm Pitch)
Enclosure	
Main Construction Material	Robust all wood construction (15mm plywood)
Finish	Hard wearing black spatter finish
Grille	Powdercoated steel with acoustic foam backing
Mounting Points	14x M8 fixings for optional TNA-BRK1 flying bracket assembly, TNA-DF1 Dolly Frame or TNA-2051 cabinets
Included Hardware	2x metal side brackets included
Unit dimensions (HWD)	366 x 475 x 454mm, 14.4" x 18.7" x 17.9"
Unit weight	16.2Kg, 35.7 lbs
Carton dimensions (HWD)	490 x 600 x 585mm, 19.3" x 23.6" x 23", 0.172 M3
Packed weight	21Kg, 46.3 lbs
EAN Code	5060109457810

In the interest of continued development, HH reserves the right to amend product specification without prior notification.

- 1 AES standard Pink Noise 12dB crest factor 2 hours
- 2 Measured in Full space (4π) conditions
- 3 Calculated maximum SPL based on rated power handling





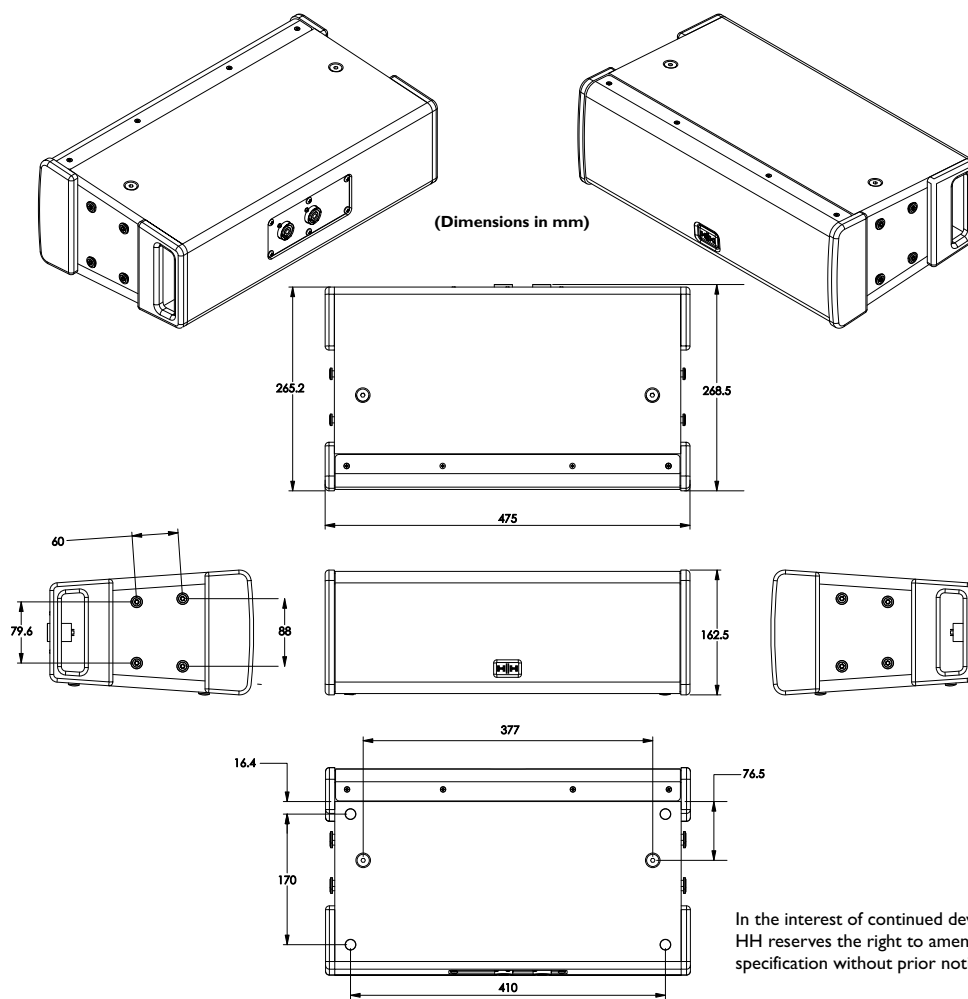
LINE ARRAY

T E S S E N

LIVE SOUND & INSTALLATION

TNA-2051 - SPECIFICATIONS

Model	TNA-2051
System type	2-way line array loudspeaker
Frequency Response	65Hz - 20KHz (-10dB)
	100Hz - 18KHz (-3dB)
System Power Rating ¹	200W AES, 800W Peak
SPL 1W/1m ²	94 dB SPL
Max SPL 1m ³	123 dB SPL
System Max SPL 1m ⁴	132 dB SPL
Nominal System Impedance	16 ohms
Input Connector	NL4 ±1 Twist Lock Connector
Link Connector	NL4 ±1 Twist Lock Connector
Speaker	
HF Driver	1 x 1.33" Celestion Compression Driver, mounted to Celestion Designed waveguide and horn
LF Driver	2 x 5" HH designed driver
Internal Crossover Frequency	2000Hz
Nominal dispersion	120° x 60° (120° x 30° single point)
Rigging/Splay Angle Settings	Dual Angle, 0° and 8°
Recommended HPF Frequency	100Hz
Enclosure	
Cabinet	15mm Plywood
Finish	Painted Black (White finish optional, subject to MOQ)
Mounting Bracket	TNA-BRK1 for suspended mounting
Mounting Points	M8 side mounting for included brackets
Grille	1.5mm Thickness, Hexagonal mesh
Unit dimensions (HWD)	158 x 460 x 265mm, 6.2" x 18.1" x 10.4"
Unit weight	8.4Kg, 18.5 lbs (each)
Carton dimensions (HWD)	410 x 330 x 530mm, 16.1" x 13" x 20.9"
Packed weight	18.4Kg, 40.6 lbs (2pcs per carton)



In the interest of continued development, HH reserves the right to amend product specification without prior notification.

¹ AES standard Pink Noise 12dB crest factor 2 hours
² Measured in Full space (4π) conditions
³ Calculated maximum SPL based on rated power handling
⁴ System Max SPL based on 4x TNA-2051





LINE ARRAY

T E S S E N

LIVE SOUND & INSTALLATION

CONSIGNES DE SÉCURITÉ IMPORTANTES

ATTENTION: L'utilisation de tout appareil électrique doit être soumise aux précautions d'usage incluant:

1. Lisez ces instructions
2. Gardez ce manuel pour de futures références.
3. Prêtez attention aux messages de précautions de ce manuel.
4. Suivez ces instructions.
5. N'utilisez pas cet appareil à proximité de plans d'eau.
6. N'utilisez qu'un tissu sec pour le nettoyage de votre appareil.
7. N'obstruez pas les systèmes de refroidissement de votre appareil et installez votre appareil en fonction des instructions de ce manuel.
8. Ne positionnez pas votre appareil à proximité de toute source de chaleur.
9. Un appareil avec la construction de la classe I sera relié à une prise munie d'une liaison à la terre. Branchez toujours votre appareil sur une alimentation munie de prise de terre utilisant le cordon d'alimentation fourni.
10. Protégez les connecteurs de votre appareil et positionnez les câblages pour éviter toutes déconnexions accidentelles.
11. N'utilisez que des fixations approuvées par le fabricant.
12. Lors de l'utilisation sur pied ou perche de support, assurez dans le cas de déplacement de l'ensemble enceinte/support de prévenir tout basculement intempestif de celui-ci.
13. La fiche secteur est utilisée pour couper l'alimentation de l'appareil et doit rester facilement accessible. Débranchez cet appareil pendant les orages ou s'il est inutilisé pendant de longues périodes.
14. Seul un technicien agréé par le fabricant est à même de réparer/contrôler votre appareil. Celui-ci doit être contrôlé s'il a subi des dommages de manipulation, d'utilisation ou de stockage (humidité, ...).
15. Ne déconnectez jamais la prise de terre de votre appareil.
16. Si votre appareil est destiné à être monté en rack, des supports arrière doivent être utilisés.
17. Note pour le Royaume-Uni : Si les couleurs des fils du câble d'alimentation ne correspondent pas aux fiches de la prise secteur, procédez comme suit:
 - a) Le fil vert et jaune doit être branché sur la borne repérée par la lettre E, ou le symbole de terre, ou par les couleurs vert ou verte et jaune.
 - b) Le fil bleu doit être branché sur la borne repérée par la lettre N, ou par la couleur noire.
 - c) Le fil marron doit être branché sur la borne repérée par la lettre L, ou par la couleur rouge.
18. Cet équipement électrique ne doit en aucun cas être en contact avec un quelconque liquide et aucun objet contenant un liquide, tels qu'un vase ou autre récipient.
19. Une exposition à de hauts niveaux sonores peut entraîner des dommages irréversibles de l'audition. La sensibilité au bruit varie considérablement d'un individu à l'autre, mais la majorité de la population ressentira une perte d'audition après une exposition à une forte puissance sonore pendant une durée prolongée. L'organisme de la santé américaine (OSHA) a produit le guide ci-dessous en rapport à l'exposition autorisée aux niveaux de bruit:

Durée par Jour (heures)	Niveau sonore moyen (dBA)
8	90
6	92
4	95
3	97
2	100
1 ½	102
1	105
½	110
¼ ou inférieur	115
- D'après les études menées par l'OSHA, toute exposition au delà des limites décrites ci-dessous entraînera des pertes de audition chez la plupart des sujets. Le port de système de protection (casque, oreillette de filtrage, etc...) doit être observé lors de l'utilisation de cet appareil sans quoi des dommages irréversibles peuvent être occasionnés. Le port de ces systèmes doit être observé par toutes personnes susceptibles d'être exposées à des conditions au delà des limites décrites ci-dessous.
20. Symboles utilisés sur les produits et dans les manuels des produits, destinés à alerter l'opérateur des zones ou des précautions supplémentaires pouvant être nécessaires:

Ce symbole est utilisé pour prévenir l'utilisateur de la présence d'une tension non isolée dangereuse à l'intérieur du boîtier de l'appareil, et pouvant être suffisante pour constituer un risque de choc électrique.



Ce symbole est utilisé pour prévenir l'utilisateur de la présence d'instructions d'utilisation et de maintenance dans le mode d'emploi accompagnant l'appareil.

Risque de choc électrique – NE PAS OUVRIR Afin de réduire les risque de choc électrique, ne pas ouvrir le capot. Il n'y a aucune pièce à l'intérieur pouvant être réparée par l'utilisateur. Veuillez confier la maintenance à un personnel qualifié.

Afin de prévenir tout risque de choc électrique et d'incendie, n'exposez pas cet appareil à la pluie ou à l'humidité. Avant d'utiliser cet appareil, lisez attentivement les instructions d'utilisation de ce mode d'emploi.

Si votre appareil est équipé d'un mécanisme de basculement ou si son boîtier est conçu comme retour, veuillez utiliser cette caractéristique avec prudence. En raison de la facilité avec laquelle l'amplificateur peut être basculé entre les positions droite et inclinée, utilisez uniquement l'amplificateur sur une surface plane et stable. NE PAS faire fonctionner l'amplificateur sur un bureau, une table, une étagère ou autre plate-forme inappropriée.



LINE ARRAY

INTRODUCTION

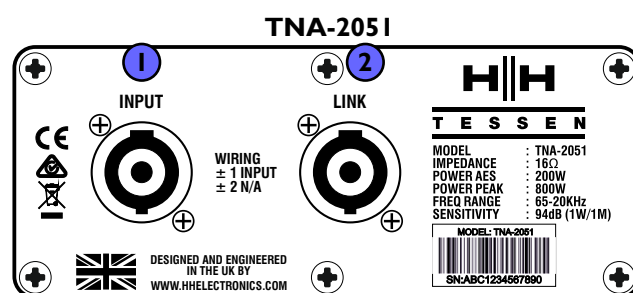
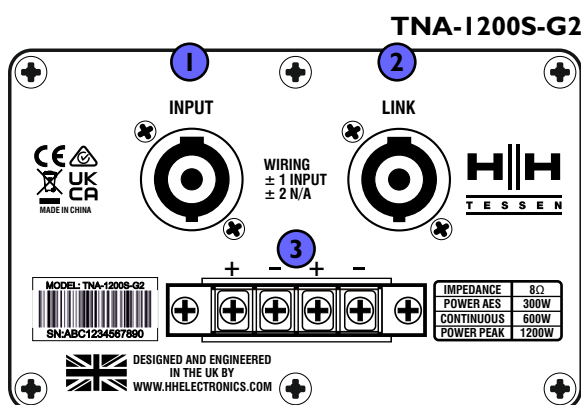
Avec la demande croissante d'applications de son en direct, les utilisateurs demandent plus de leur système audio. Le mini line array TNA fournit un rendement élevé dans un système compact. Adapté soit comme système de sonorisation en installation fixe, soit pour une utilisation portable, le mini line array TNA offre une dynamique cristalline.

La gamme TNA comprend la TNA-205 I; Enceinte line array passive bidirectionnelle équipée de deux HP 5" et d'un moteur à compression spécialement réalisé par Celestion, et le TNA-I200S-G2; d'un HP sub passif haute performance de 12".

Outre les enceintes TNA, des accessoires de qualité supérieure sont proposés. Le support de fixation en acier massif TNA-BRK I assure une suspension sûre du système TNA lorsqu'il est installé. Le cadre du chariot à roues TNA-DFI se fixe au TNA-I200S-G2 assurant le transport flexible d'un système complet.

TNA mini line array - la solution audio ou fixe parfaite. mobile

TNA-I200S-G2 AND TNA-205 I – PANNEAU ARRIÈRE



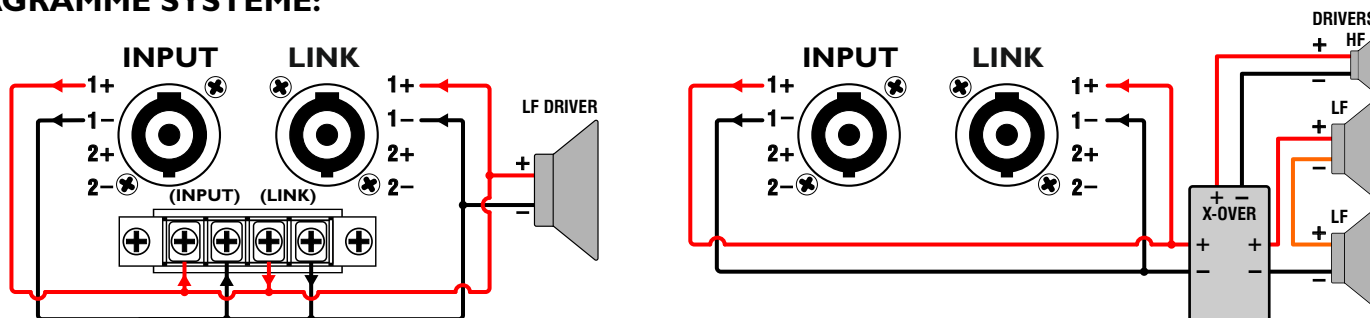
Comme pour le TNA-I800S-G2, le TNA-I200S-G2 et le TNA-205 I sont équipés de connecteurs à verrouillage par 1/4 de tour NL4 ±1, ainsi que des borniers à vis M4 supplémentaires sur le TNA-I200S-G2.

1 : ENTRÉE : À connecter à la sortie de l'amplificateur choisi. Vérifiez les spécifications techniques de votre amplificateur pour vous assurer que son impédance et sa puissance de sortie conviennent à une utilisation avec une enceinte TNA-I200S-G2.

2 : LINK : Connectée en parallèle avec le connecteur INPUT, cette prise permet d'ajouter des enceintes supplémentaires à la chaîne d'enceintes.

3 : BORNIER A VIS M4 : Fournis pour une flexibilité de câblage supplémentaire. Ceux-ci sont connectés en interne aux connecteurs NL4 comme on peut le voir dans le schéma ci-dessous.

DIAGRAMME SYSTÈME:



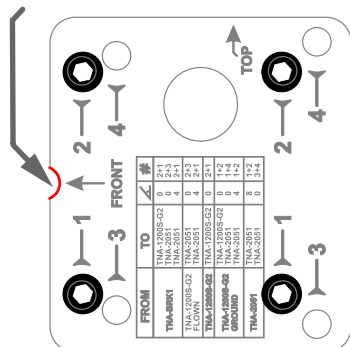
NE PAS CONNECTER UN DEUXIÈME AMPLIFICATEUR À LA SORTIE LINK OU AUX BORNIERES !



Le support latéral TNA est utilisé pour assurer la fixation / le support mécanique entre le sub TNA-I200S-G2 et les satellites TNA-2051. Selon la combinaison de trous utilisée, une disposition verticale ou angulaire peut être obtenue.

Les options d'ajustement sont imprimées sur le support latéral.

Dans tous les cas, l'encoche d'emplacement doit pointer vers la face avant de l'enceinte.



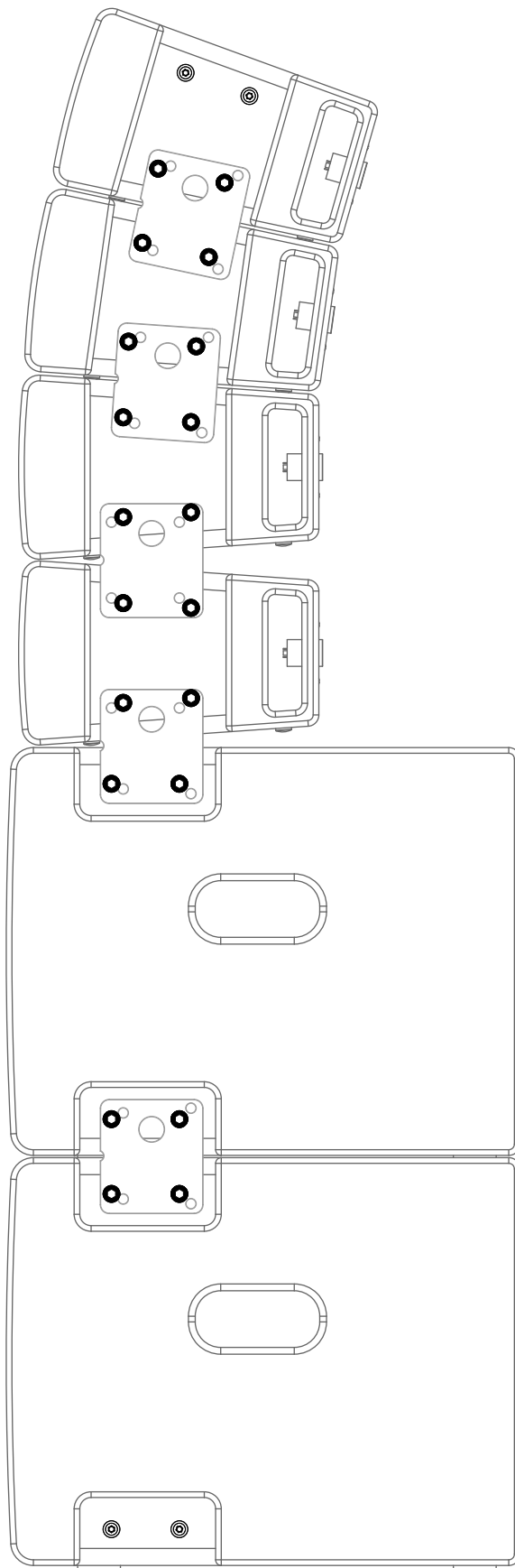
FROM	TO	∠	#
TNA-BRK1	TNA-1200S-G2	0	2+1
	TNA-2051	0	2+3
	TNA-2051	4	2+1
TNA-1200S-G2 FLOWN	TNA-2051	0	2+3
	TNA-2051	4	2+1
TNA-1200S-G2	TNA-1200S-G2	0	2+1
TNA-1200S-G2 GROUND	TNA-1200S-G2	0	1+2
	TNA-2051	0	1+4
	TNA-2051	4	1+2
TNA-2051	TNA-2051	8	1+2
	TNA-2051	0	3+4

1+2

3+4

1+4

1+2



LINE ARRAY
SÉCURITÉ

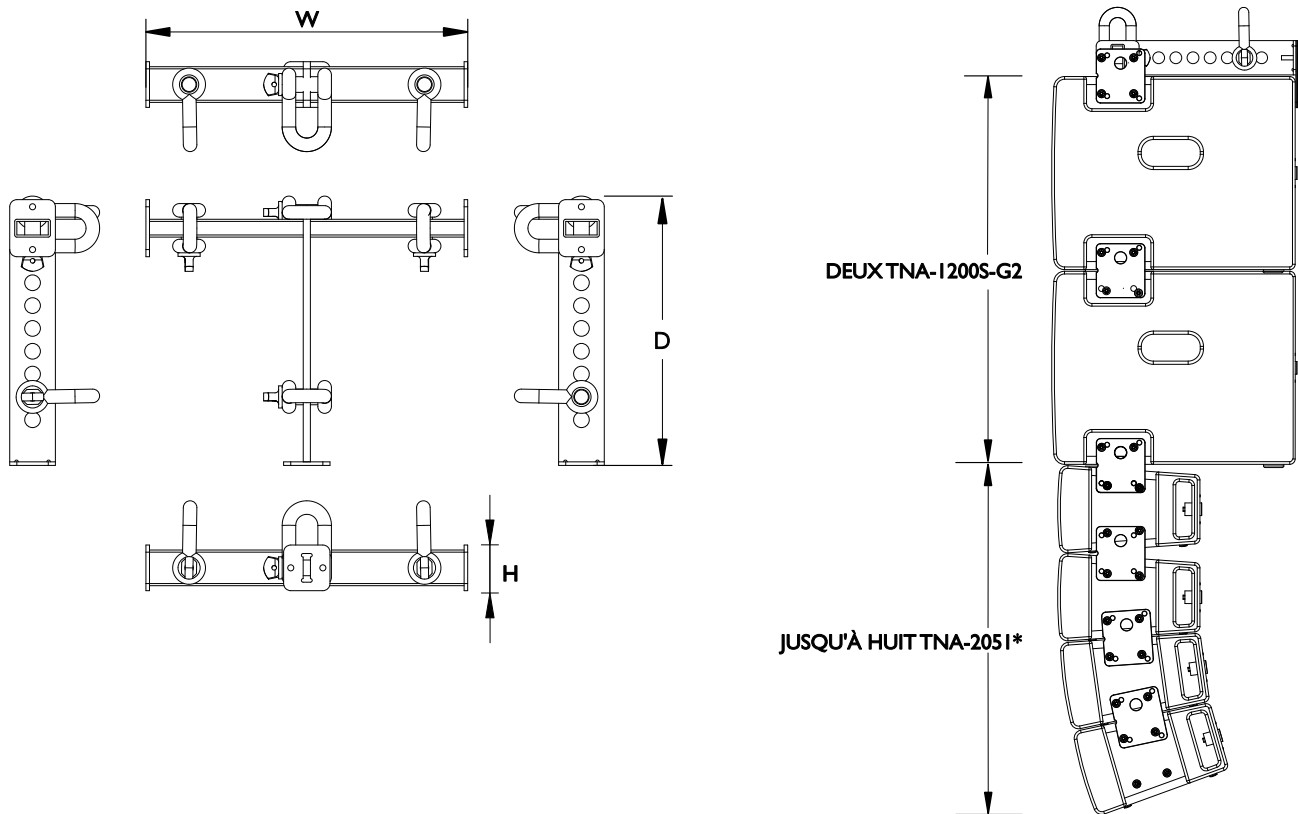
La fixation des enceintes ne doit être effectuée que par des personnes correctement qualifiées, conformément à toutes les lois locales et en utilisant du matériel approuvé.

Il est de la responsabilité de l'installateur de s'assurer que le point de fixation est structurellement adéquat pour supporter le poids des enceintes.

Le gréement ou le montage suspendu de ces enceintes peut exposer les membres du public à des accidents graves voir mortels. N'essayez en aucun cas de gréer, suspendre ou monter ce système de quelque manière que ce soit, sauf si vous êtes pleinement qualifié et certifié pour le faire par les autorités locales, étatiques et nationales compétentes. Toutes les règles de sécurité pertinentes doivent être respectées. Si vous n'êtes pas correctement qualifié ou si vous ne connaissez pas les réglementations pertinentes, consultez un personnel qualifié pour obtenir des conseils et une assistance.

Pour plus de sécurité, il est fortement recommandé de vérifier périodiquement les connexions audio, les fixations mécaniques et les supports de montage.

Selon les réglementations locales, des supports de traction supplémentaires peuvent être nécessaires.

LIMITE DE SOUTIEN MAXIMALE TNA-BRK1


*support de retrait supplémentaire requis pour plus de 4 TNA-2051

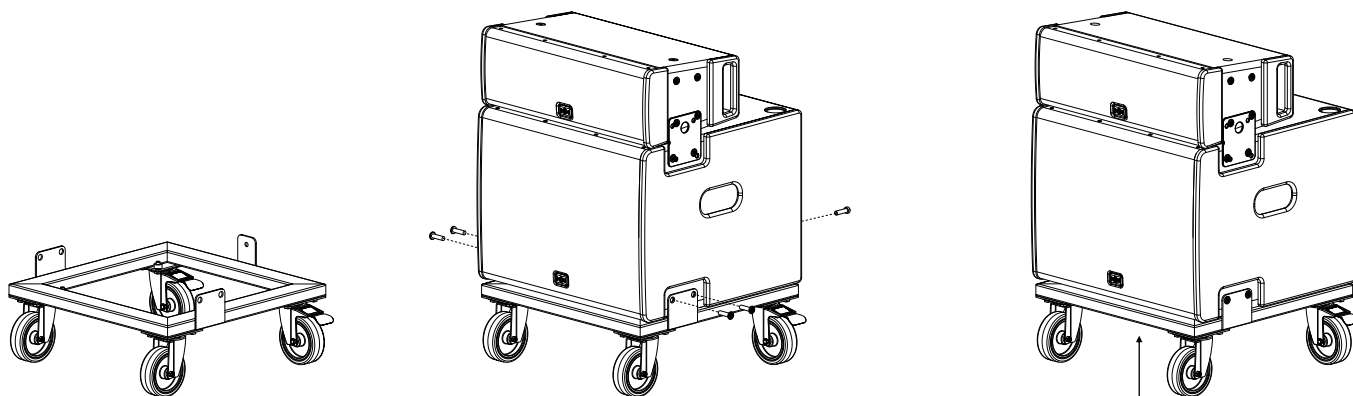
CARACTÉRISTIQUES

Model	TNA-BRK1
Suspension Type	The bracket allows you to fit upto three D-shackles (included)
Mounting Type	Five M8 mounting points hold the bracket securely to the cabinet
Max Load Weight	120Kg, 264lbs
Max Unit Load	8x TNA-2051 & 2x TNA-1200S-G2 OR 4x TNA-1200S-G2
Unit dimensions (HWD)	64 x 451 x 340mm, 2.5" x 17.8" x 13.4"
Unit weight	5.6Kg, 12.3 lbs
Carton dimensions (HWD)	145 x 505 x 430mm, 5.7" x 19.9" x 16.9" , 0.031 M3
Packed weight	6.7Kg, 14.8 lbs

In the interest of continued development, HH reserves the right to amend product specification without prior notification.

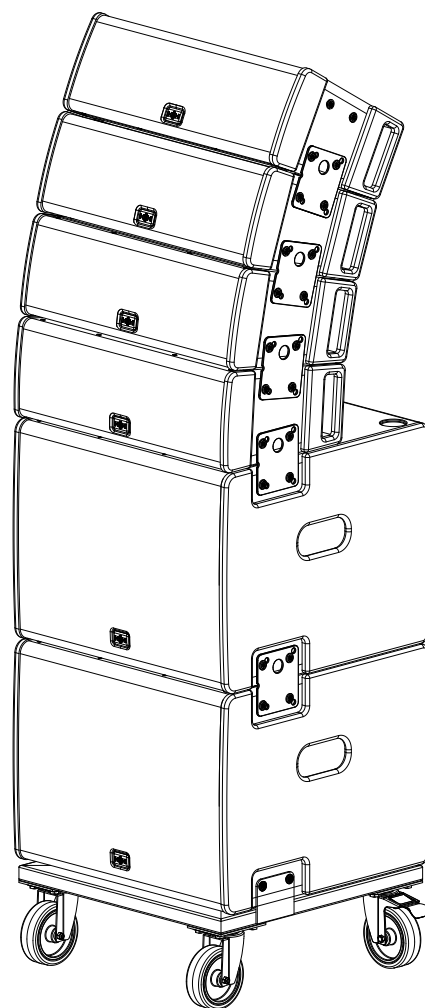
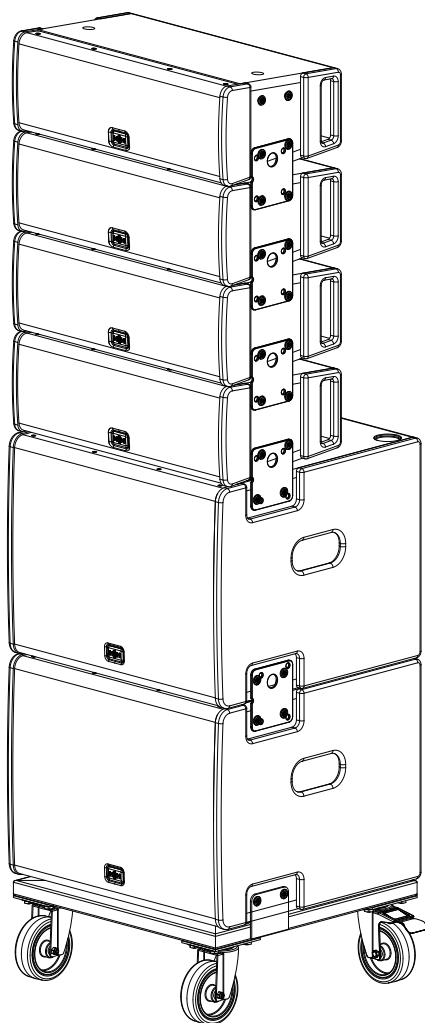


Avec sa conception légère et robuste, le TNA-DFI permet aux enceintes d'être facilement repositionnées et configurées pour répondre aux besoins actuels.



Le TNA-1200S-G2 est fixé au TNA-DFI (à l'aide de deux supports latéraux et d'un support arrière) avec six boulons hexagonaux M8 x 20.

Assurez-vous que les freins sont engagés sur les roues arrière une fois que le Line Array a été correctement positionné.



VEUILLEZ NOTER: Un maximum de quatre TNA-2051 et deux TNA-1200-G2 doivent être utilisés sur le chariot.



WICHTIGE SICHERHEITSHINWEISE

ACHTUNG: Beim Einsatz von Elektrogeräten müssen u.a. grundlegende Vorsichtsmaßnahmen befolgt werden:

1. Lesen Sie sich diese Anweisungen durch.
2. Bewahren Sie diese Anweisungen auf.
3. Beachten Sie alle Warnungen.
4. Befolgen Sie alle Anweisungen.
5. Setzen Sie dieses Gerät nicht in der Nähe von Wasser ein.
6. Reinigen Sie es nur mit einem trockenen Tuch.
7. Blockieren Sie keine der Lüftungsöffnungen. Führen Sie die Installation gemäß den Anweisungen des Herstellers durch.
8. Betreiben Sie das Gerät nicht neben Wärmequellen wie Heizungen, Heizgeräten, Öfen oder anderen Geräten (auch Verstärkern), die Wärme erzeugen.
9. Verwenden Sie nur Kaltgeräte-Netzkabel aus dem Fachhandel.
10. Schützen Sie das Netzkabel, sodass niemand darauf tritt oder es geknickt wird, insbesondere an Steckern oder Buchsen am Gerät.
11. Verwenden Sie nur die vom Hersteller erhältlichen Zubehörgeräte oder Zubehörteile.
12. Verwenden Sie nur einen Wagen, Stativ, Dreifuß, Träger oder Tisch, der den Angaben des Herstellers entspricht oder zusammen mit dem Gerät verkauft wurde. Wird ein Wagen verwendet, bewegen Sie den Wagen mit dem darauf befindlichen Gerät besonders vorsichtig, damit es nicht umkippt und möglicherweise jemand verletzt wird.
13. Der Netzstecker bzw. Gerätestecker wird zum Trennen vom Stromnetz verwendet und muß immer leicht zugänglich sein. Der Benutzer sollte auf einfachen Zugang zu allen Netzsteckern, Gerätesteckern und Netz-Schaltern achten. Ziehen Sie den Netzstecker bei Gewitter heraus oder wenn das Gerät längere Zeit nicht benutzt wird.
14. Lassen Sie sämtliche Wartungsarbeiten von qualifizierten Kundendiensttechnikern durchführen. Eine Wartung ist erforderlich, wenn das Gerät in irgendeiner Art beschädigt wurde, etwa wenn das Netzkabel oder der Netzstecker beschädigt wurden, Flüssigkeit oder Gegenstände in das Gerät gelangt sind, das Gerät Regen oder Feuchtigkeit ausgesetzt wurde, nicht normal arbeitet oder heruntergefallen ist.
15. Schließen Sie das Gerät nur an eine Stromquelle an, die am Gerät neben dem Netzkabel angegeben ist.
16. Wenn dieses Produkt in ein Geräte-Rack eingebaut werden soll, muss eine Versorgung über die Rückseite eingerichtet werden.
18. Dieses Gerät darf nicht ungeschützt Wassertropfen und Wasserspritzern ausgesetzt werden und es muss darauf geachtet werden, dass keine mit Flüssigkeiten gefüllte Gegenstände, wie z. B. Blumenvasen, auf dem Gerät abgestellt werden.
19. Belastung durch extrem hohe Lärmpegel kann zu dauerhaftem Gehörverlust führen. Die Anfälligkeit für durch Lärm bedingten Gehörverlust ist von Mensch zu Mensch verschieden, das Gehör wird jedoch bei jedem in gewissem Maße geschädigt, der über einen bestimmten Zeitraum ausreichend starkem Lärm ausgesetzt ist. Die US-Arbeitsschutzbehörde (Occupational and Health Administration, OSHA) hat die folgenden zulässigen Pegel für Lärmbelastung festgelegt:
Laut OSHA kann jede Belastung über den obenstehenden zulässigen Grenzwerten zu einem gewissen Gehörverlust führen. Sollte die Belastung die obenstehenden Grenzwerte übersteigen, müssen beim Betrieb dieses Verstärkungssystems Ohrstöpsel oder Schutzvorrichtungen im Gehörgang oder über den Ohren getragen werden, um einen dauerhaften Gehörverlust zu verhindern. Um sich vor einer möglicherweise gefährlichen Belastung durch hohe Schalldruckpegel zu schützen, wird allen Personen empfohlen, die mit Geräten arbeiten, die wie dieses Verstärkungssystem hohe Schalldruckpegel erzeugen können, beim Betrieb dieses Geräts einen Gehörschutz zu tragen.
20. Symbole und Nomenklatur, die auf dem Produkt und in den Handbüchern stehen, sollen den Bediener auf die Bereiche, in denen besondere Vorsicht notwendig sein kann, alarmieren und sind wie folgt:

Dauer pro Tag in Stunden	Geräuschpegel dBA langsame Reaktion
8	90
6	92
4	95
3	97
2	100
1 ½	102
1	105
½	110
¼ oder weniger	115

Sollen den Benutzer auf das Vorhandensein von "gefährlicher Hoch- Spannung" im Gerätegehäuse hinweisen, um die Gefahr eines elektrischen Schlages für Personen zu vermeiden..



Sollen den Benutzer auf das Vorhandensein wichtiger Betriebs- und Wartungsanweisungen in der beigelegten Dokumentation aufmerksam machen.

Gefahr eines elektrischen Schlags - NICHT ÖFFNEN. Um die Gefahr eines elektrischen Schlags zu reduzieren, darf die Abdeckung entfernt werden. Keine wartenden Teile im Inneren. Überlassen Sie die Wartung qualifiziertem Fachpersonal.

Gefahr eines elektrischen Schlags - NICHT ÖFFNEN. Um die Gefahr eines elektrischen Schlags zu vermeiden, darf die Abdeckung nicht geöffnet werden.. Überlassen Sie die Wartung qualifiziertem Fachpersonal.

Wenn Ihr Gerät über einen Kippmechanismus oder eine "Tilt-back"- Funktion verfügt, benutzen Sie diese Funktion mit Vorsicht. Aufgrund der Leichtigkeit, mit der der Verstärker zwischen geraden und schrägen Rücken Positionen bewegt werden kann, verwenden Sie nur den Verstärker auf einer ebenen, stabilen Oberfläche. NICHT den Verstärker auf einem Schreibtisch, Tisch, Regal oder sonst eine ungeeignete nicht stabile Plattform stellen.



LINE ARRAY

EINLEITUNG

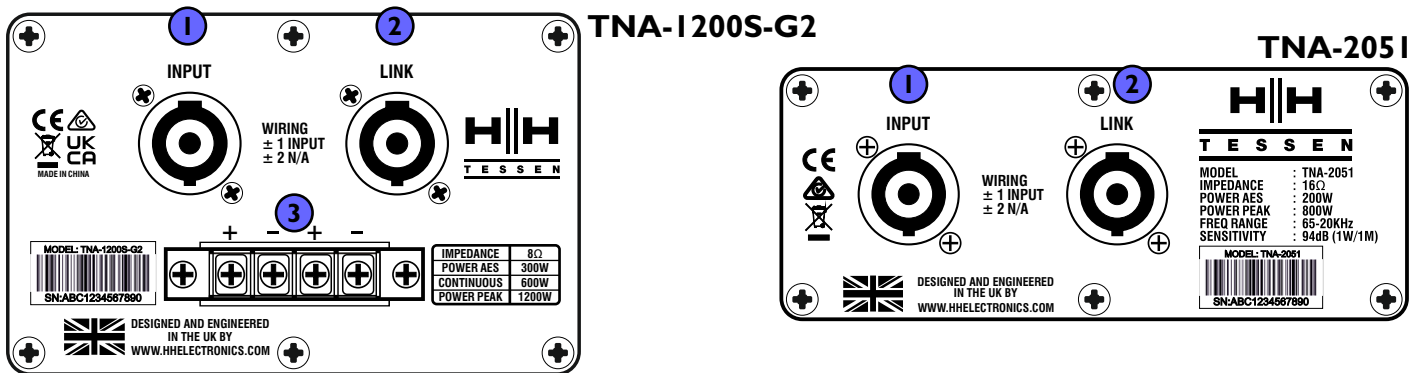
Da Live-Sound-Anwendungen immer mehr nachgefragt werden, erwarten Anwender mehr von ihrem Audiosystem. Das TNA Mini Line Array bietet eine hohe Leistung in einem kompakten System. Das TNA Mini Line Array eignet sich entweder als fest installiertes Soundsystem oder für den tragbaren Einsatz und liefert eine kristallklare Dynamik.

Das TNA-Sortiment umfasst TNA-205 I; Dual 5" Zwei-Wege-Passiv-Line-Array-Lautsprecher mit maßgeschneidertem Celestion-Komprimierungstreiber und Wellenführung und dem TNA-I200S-G2; 12" Hochleistungs-Passivsubwoofer.

Die TNA-BRK I-Stahlhalterung sorgt bei der Installation für eine sichere Aufhängung des TNA-Systems. Der TNA-DFI Rad-Dolly-Rahmen wird an der TNA-I200S-G2 befestigt und bietet flexiblen Transport eines gestapelten Systems.

TNA Mini-Line-Array – die perfekte mobile oder installierte Audio-Lösung.

TNA-I200S-G2 AND TNA-205 I – RÜCKSEITE



Wie beim TNA-I800S-G2 verfügen sowohl der TNA-I200S-G2 als auch der TNA-205 I über NL4 \pm I Kombi-Eingänge mit zusätzlichen M4-Anschlussklemmen am TNA-I200S-G2.

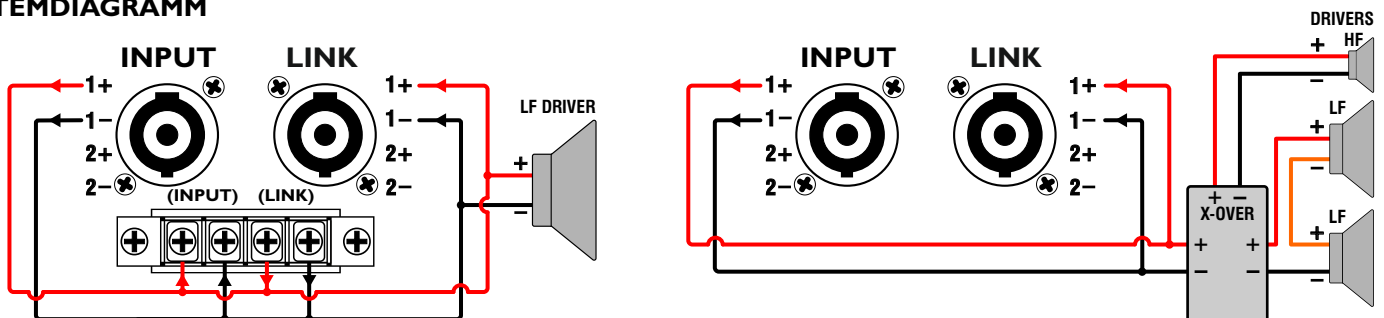
1: INPUT: Zum Anschluss an den Ausgang des von Ihnen gewählten Verstärkers.

Überprüfen Sie die technischen Daten Ihres Verstärkers, um sicherzustellen, dass seine Treiberfähigkeit und Ausgangsleistung für die Verwendung eines TNA-I200S-G2 geeignet ist.

2: LINK: Parallel mit dem INPUT-Anschluss verbunden, sodass zusätzliche Boxen hinzugefügt werden können.

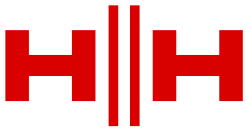
3: M4-ANSCHLUSSSTECKVERBINDER: Für zusätzliche Verdrahtungsflexibilität. Diese sind intern mit den NL4-Anschlüssen verbunden, wie im Diagramm unten zu sehen.

SYSTEMDIAGRAMM



SCHLIESSEN SIE KEINEN ZWEITEN VERSTÄRKER AN DEN LINK-AUSGANG ODER DIE M4-ANSCHLÜSSE AN!





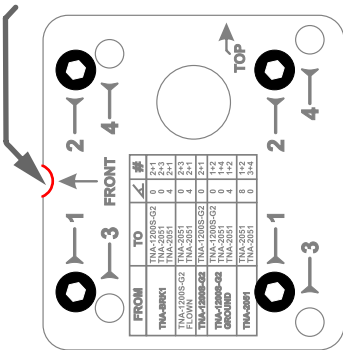
LINE ARRAY

Die TNA-Seitenhalterung dient zur mechanischen Befestigung/Unterstützung zwischen TNA-1200S-G2-Boxen und TNA-2051-Satelliten. Je nach Kombination der verwendeten Bohrungen kann eine vertikale oder abgewinkelte Anordnung erreicht werden.

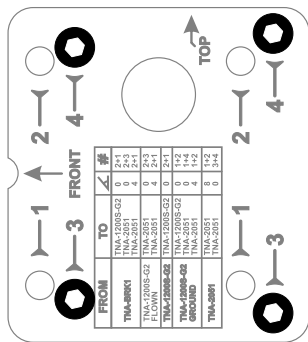
Die Passungsoptionen werden auf der Seitenhalterung gedruckt.

In allen Fällen sollte die Positionskerbe auf die Vorderseite der Box zeigen.

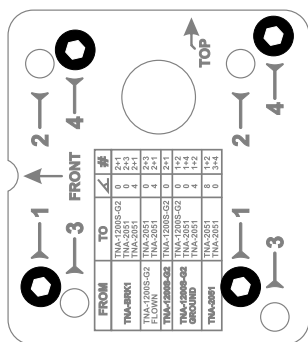
FROM	TO	∠	#
TNA-BRK1	TNA-1200S-G2	0	2+1
	TNA-2051	0	2+3
	TNA-2051	4	2+1
TNA-1200S-G2 FLOWN	TNA-2051	0	2+3
	TNA-2051	4	2+1
TNA-1200S-G2	TNA-1200S-G2	0	2+1
TNA-1200S-G2 GROUND	TNA-1200S-G2	0	1+2
	TNA-2051	0	1+4
	TNA-2051	4	1+2
TNA-2051	TNA-2051	8	1+2
	TNA-2051	0	3+4



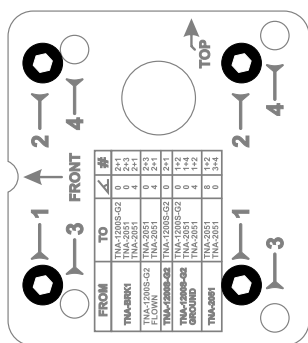
1+2



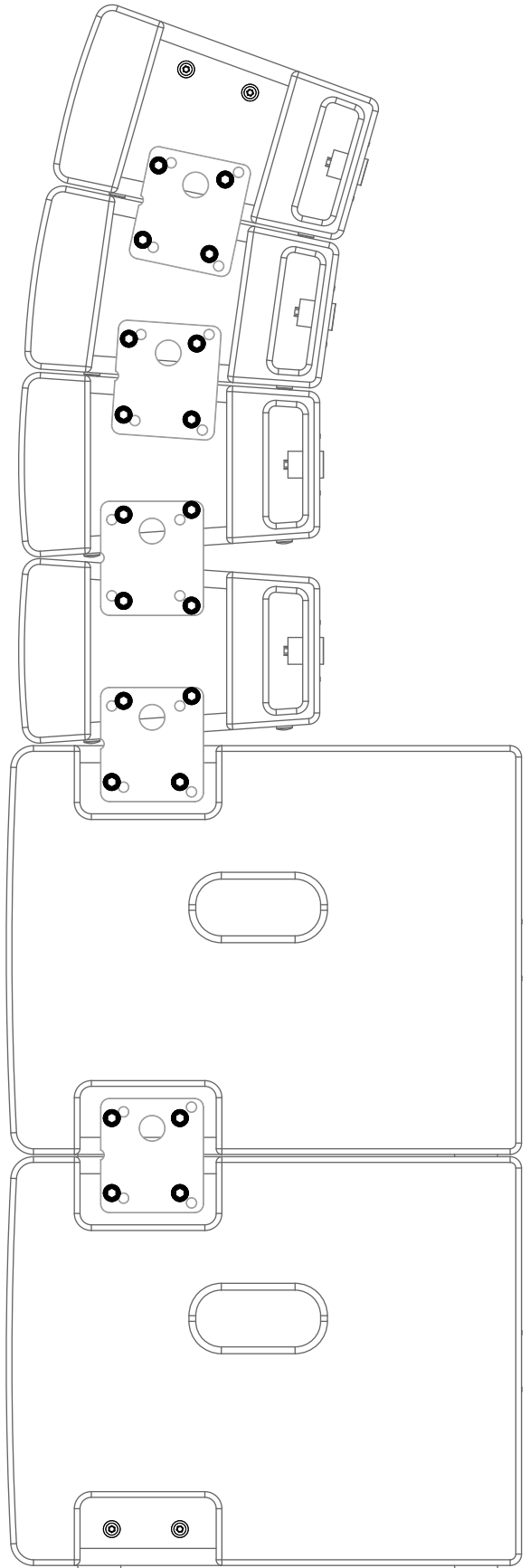
3+4



1+4



1+2





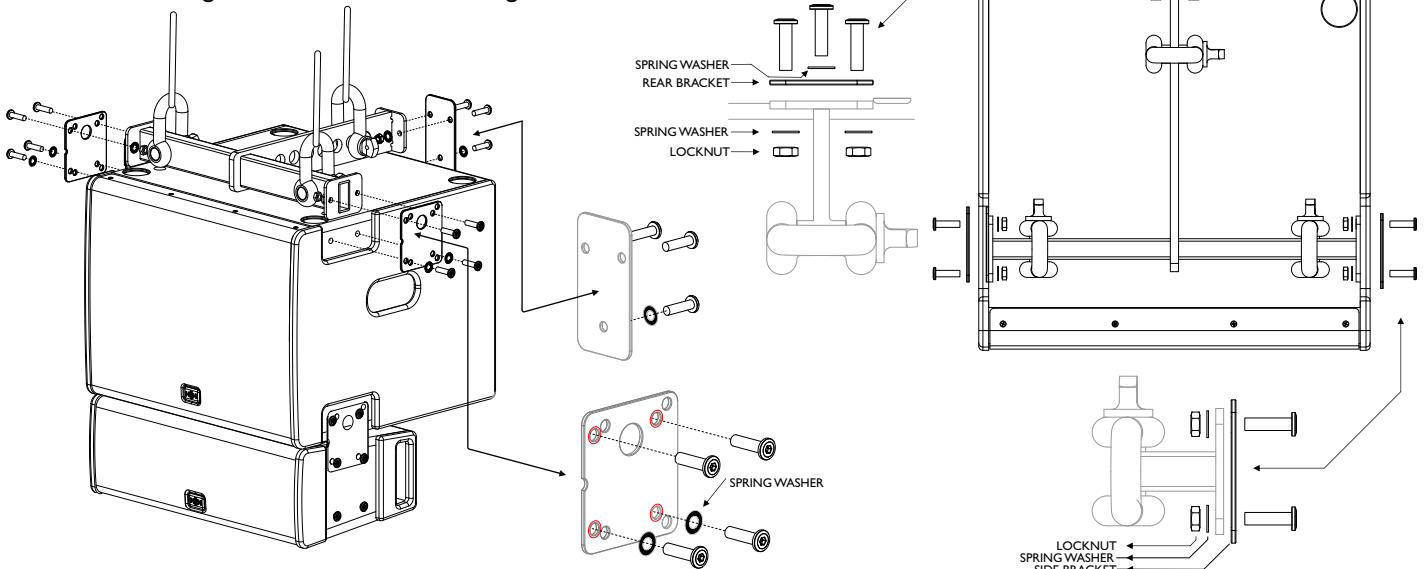
Die TNA-BRK I Halterung für den Einsatz mit dem TNA-I200S-G2 und TNA-205 I. Mit seiner massiven Stahlkonstruktion unterstützt der TNA-BRK I sicher bis zu zwei TNA-I200S-G2 und vier TNA-205 I-Gehäuse gleichzeitig.

INHALT

	1 x Lift Bracket assembly
	3 x D-shackle
	2 x Side plate
	1 x Rear plate
	7 x M8x25mm connector bolt
	7 x Spring washers
	6 x M8 lock nuts

FLYING BRACKET ZU TNA-I200S-G2

Der TNA-BRK I wird mit zwei Seitenhalterungen und einer hinteren Halterung am TNA-I200S-G2 befestigt.

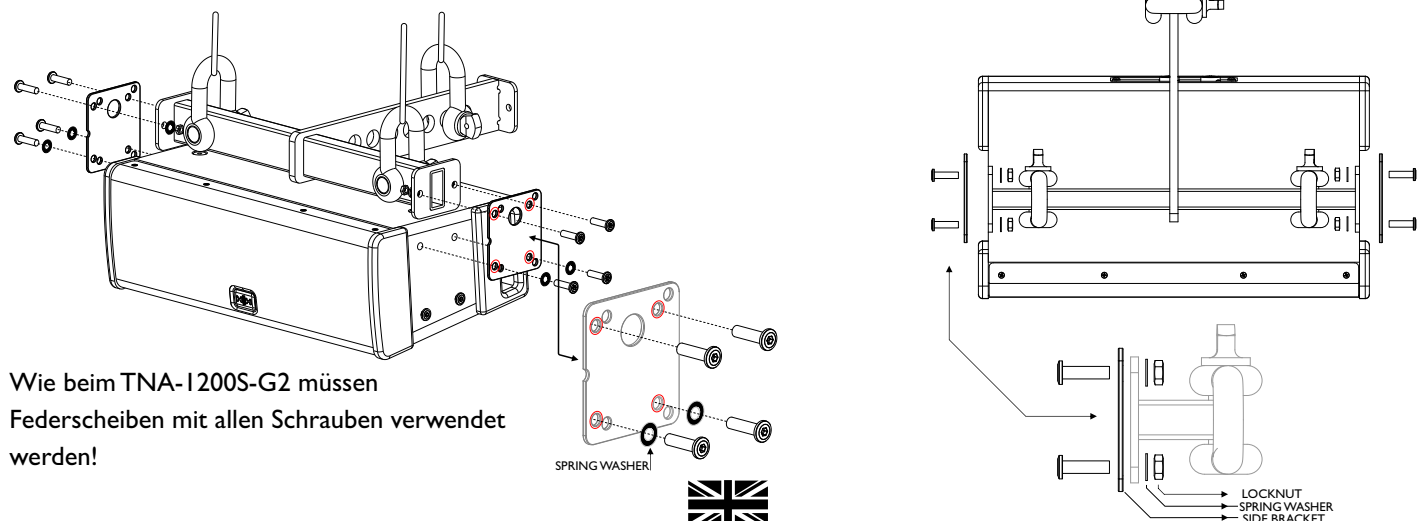


Federscheiben müssen mit jeder Schraube verwendet werden!

Achten Sie beim Befestigen der Halterungen sehr darauf, die Seitenschrauben nicht zu kreuzen!

FLYING BRACKET ZU TNA-205 I

Ein TNA-205 I erfordert nur die Verwendung von Side Brackets.



Wie beim TNA-I200S-G2 müssen Federscheiben mit allen Schrauben verwendet werden!



LINE ARRAY
SICHERHEIT

Das Aufhängen von Boxen sollte nur von entsprechend qualifizierten Personen durchgeführt werden, in Übereinstimmung mit allen lokalen Gesetzen und mit genehmigter Hardware.

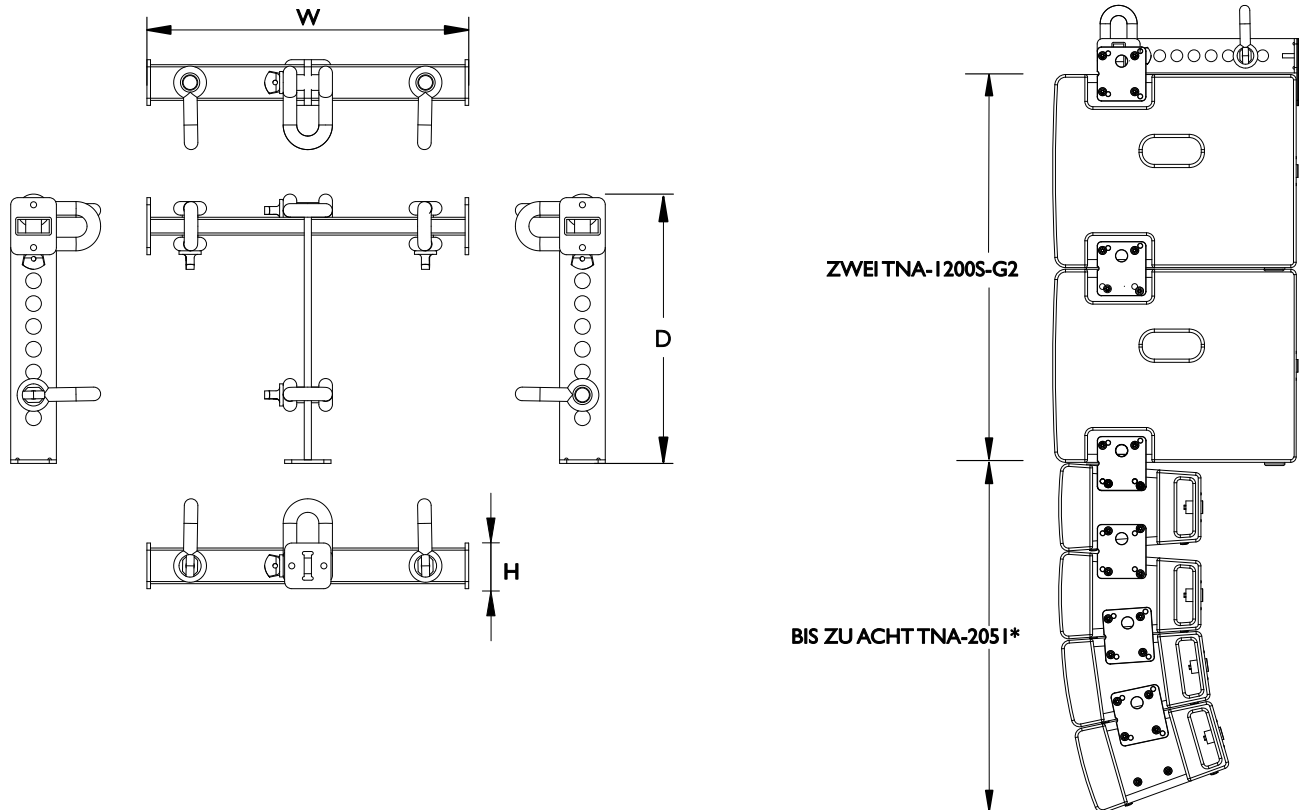
Es liegt in der Verantwortung der Installateure, sicherzustellen, dass der Punkt der Fixierung strukturell ausreichend ist, um das Gewicht der Boxen zu unterstützen.

Die Manipulation oder aufgehängte Montage dieser Lautsprecher kann die Öffentlichkeit ernsthaften Gesundheitsrisiken oder sogar dem Tod aussetzen.

Unter keinen Umständen versuchen Sie, dieses System zu manipulieren, auszusetzen oder anderweitig zu montieren, es sei denn, Sie sind voll qualifiziert und zertifiziert, dies von den zuständigen lokalen, staatlichen und nationalen Behörden zu tun. Alle einschlägigen Sicherheitsvorschriften müssen eingehalten werden. Wenn Sie nicht ausreichend qualifiziert sind oder keine einschlägigen Vorschriften kennen, wenden Sie sich an qualifiziertes Personal, um Rat und Unterstützung zu erhalten.

Für zusätzliche Sicherheit wird dringend empfohlen, die Audioanschlüsse, mechanische Befestigungen und Halterungen regelmäßig zu überprüfen.

Je nach lokalen Vorschriften können zusätzliche Rückziehhstützen erforderlich sein.

TNA-BRK1 MAXIMUM SUPPORT LIMIT


*Zusätzliche Rückzugsunterstützung erforderlich für mehr als 4 TNA-2051

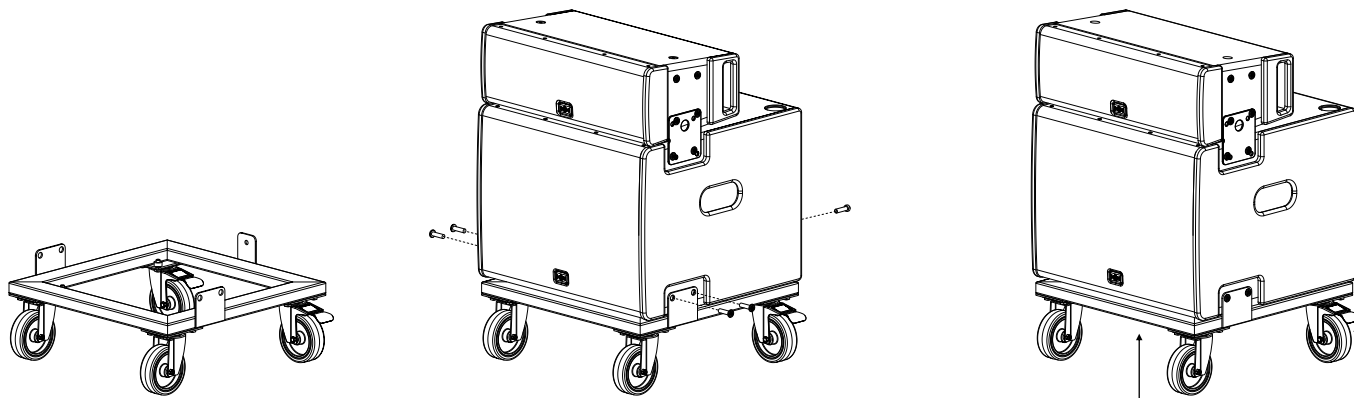
SPEZIFIKATIONEN

Model	TNA-BRK1
Suspension Type	The bracket allows you to fit upto three D-shackles (included)
Mounting Type	Five M8 mounting points hold the bracket securely to the cabinet
Max Load Weight	120Kg, 264lbs
Max Unit Load	8x TNA-2051 & 2x TNA-1200S-G2 OR 4x TNA-1200S-G2
Unit dimensions (HWD)	64 x 451 x 340mm, 2.5" x 17.8" x 13.4"
Unit weight	5.6Kg, 12.3 lbs
Carton dimensions (HWD)	145 x 505 x 430mm, 5.7" x 19.9" x 16.9" , 0.031 M3
Packed weight	6.7Kg, 14.8 lbs

In the interest of continued development, HH reserves the right to amend product specification without prior notification.

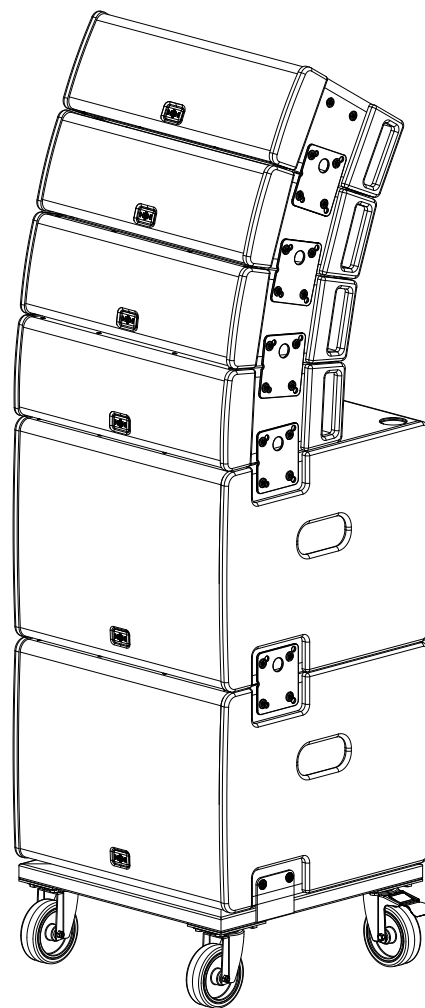
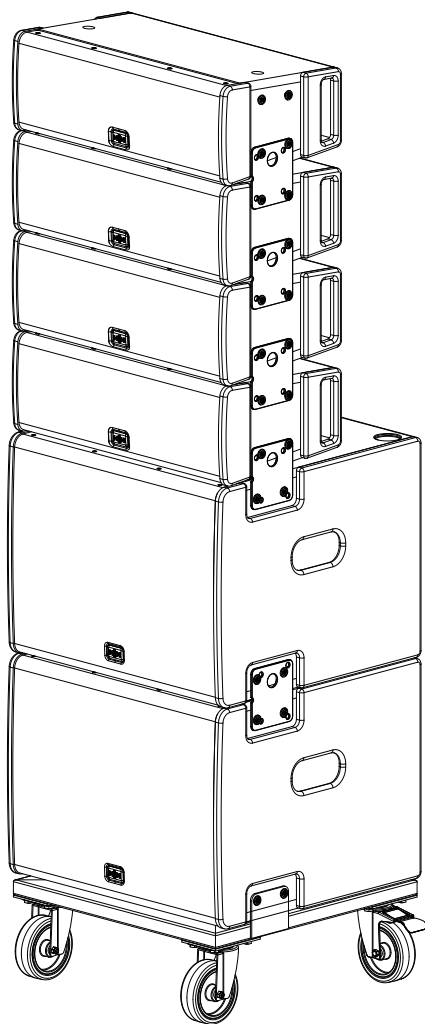


Mit seinem leichten robusten Design ermöglicht der TNA-DFI eine einfache Neupositionierung und Konfiguration von Gehäusen, die den Anforderungen entsprechen.



Der TNA-1200S-G2 ist mit sechs Sechskantschrauben M8 x 20 am TNA-DFI (mit zwei Seiten- und einer hinteren Halterung) befestigt.

Stellen Sie sicher, dass die Bremse auf den Hinterrädern eingelegt sind, sobald das Array entsprechend positioniert wurde.



BITTE BEACHTEN SIE: Auf dem Dolly Board sollten maximal vier TNA-205I und zwei TNA-1200-G2 verwendet werden.





LINE ARRAY

TESSEN

LIVE SOUND & INSTALLATION

INSTRUCCIONES IMPORTANTES DE SEGURIDAD

CUIDADO: Cuando use productos electrónicos, debe tomar precauciones básicas, incluyendo las siguientes:

1. Lea estas instrucciones.
2. Guarde estas instrucciones.
3. Haga caso de todos los consejos.
4. Siga todas las instrucciones.
5. No usar este aparato cerca del agua.
6. Limpiar solamente con un trapo seco.
7. No bloquear ninguna de las salidas de ventilación. Instalar de acuerdo a las instrucciones del fabricante.
8. No instalar cerca de ninguna fuente de calor como radiadores, estufas, hornos u otros aparatos (incluyendo amplificadores) que produzcan calor.
9. Un aparato con la construcción de clase I deberá conectarse a una toma de corriente que disponga una conexión con protección. No retire la patilla protectora del enchufe polarizado o con conexión a tierra. Un enchufe polarizado tiene dos clavijas, una más ancha que la otra. Un enchufe con toma de tierra tiene dos clavijas y un tercer diente de tierra. La clavija ancha (la tercera) se proporciona para su seguridad. Si el enchufe proporcionado no encaja en su toma de red, consulte a un electricista para que se reemplace por la obsoleta.
10. Proteja el cable de alimentación para que no sea pisado o pinchado, particularmente en los enchufes, habitáculos y el punto de salida del aparato.
11. Usar solamente componentes y accesorios proporcionados por el fabricante.
12. Usar solamente un carro, pie, trípode, o soporte especificado por el fabricante, o vendido junto al aparato. Cuando se use un carro, tenga cuidado al mover el conjunto carro/aparato para evitar que se dañe en un vuelco.
13. El cable de alimentación o conector del aparato se usa como dispositivo de desconexión y debe permanecer accesible. El usuario debe permitir un acceso fácil a cualquier entrada principal, interruptor haciéndolo así más operativo. Desenchufe este aparato durante tormentas eléctricas o cuando no se use en largos períodos de tiempo.
14. Para cualquier reparación, acuda a personal de servicio cualificado. Se requieren reparaciones cuando el aparato ha sido dañado de alguna manera, como cuando el cable de alimentación o el enchufe se han dañado, algún líquido ha sido derramado o algún objeto ha caído dentro del aparato, el aparato ha sido expuesto a la lluvia o la humedad, no funciona de manera normal, o ha sufrido una caída.
15. Nunca retire la patilla de Tierra. Conecte el aparato sólo a una fuente de alimentación del tipo marcado al lado del cable de alimentación.
16. Si este producto va a ser instalado en una unidad de rack, use algún tipo de apoyo trasero.
17. Nota para el Reino Unido solamente: Si los colores de los cables en el enchufe principal de esta unidad no corresponden con los terminales en su enchufe, proceda de la siguiente manera:
 - a) El cable de color verde y azul debe ser conectado al terminal que está marcado con la letra E, el símbolo de Tierra (earth), coloreado en verde o en verde y amarillo.
 - b) El cable coloreado en azul debe ser conectado al terminal que está marcado con la letra N o el color negro.
 - c) El cable coloreado en marrón debe ser conectado al terminal que está marcado con la letra L o el color rojo.
18. Este aparato eléctrico no debe ser sometido a ningún tipo de goteo o salpicadura y se debe tener cuidado para no poner objetos que contengan líquidos, como vasos, sobre el aparato.
19. La exposición a altos niveles de ruido puede causar una pérdida permanente en la audición. La susceptibilidad a la pérdida de audición provocada por el ruido varía según la persona, pero casi todo el mundo perderá algo de audición si se expone a un nivel de ruido suficientemente intenso durante un tiempo determinado. El Departamento para la Salud y para la Seguridad del Gobierno de los Estados Unidos (OSHA) ha especificado las siguientes exposiciones al ruido permisibles:
De acuerdo al OSHA, cualquier exposición que exceda los límites arriba indicados puede producir algún tipo de pérdida en la audición. Protectores para los canales auditivos o tapones para los oídos deben ser usados cuando se opere con este sistema de sonido para prevenir una pérdida permanente en la audición, si la exposición excede los límites indicados más arriba. Para protegerse de una exposición a altos niveles de sonido potencialmente peligrosa, se recomienda que todas las personas expuestas a equipamiento capaz de producir altos niveles de presión sonora, tales como este sistema de amplificación, se encuentren protegidas por protectores auditivos mientras esta unidad esté operando.
20. Símbolos y nomenclatura utilizada en el producto y en los manuales de producto, destinado a alertar al usuario de las áreas donde la precaución adicional pueden ser necesarias, son las siguientes:

Duración por Día en Horas	Nivel de Sonido dBA, Respuesta Lenta
8	90
6	92
4	95
3	97
2	100
1 1/2	102
1	105
1/2	110
1/4 ou inférieur	115

La intención de alertar al usuario de la presencia de "tensión peligrosa" alto dentro del recinto los productos puede ser suficiente para constituir un riesgo de descarga eléctrica para las personas.

La intención de alertar al usuario de la presencia de importantes de operación y mantenimiento (servicio) en la literatura que acompaña al producto.



Riesgo de choque eléctrico - NO ABRIR. Para reducir el riesgo de descarga eléctrica, no retire la cubierta. No hay piezas que el usuario pueda reparar. Solicite la revisión al personal cualificado.

Para evitar descargas eléctricas o incendios, no exponga este aparato a la lluvia ni a la humedad. Antes de usar este aparato, por favor lea las instrucciones de funcionamiento.

Si el aparato cuenta con un mecanismo de inclinación o un gabinete estilo de contragolpe, por favor use esta característica con precaución. Debido a la facilidad con que puede ser que el amplificador se mueva entre las posiciones recta e inclinada, utilice sólo el amplificador sobre una superficie nivelada y estable. NO haga funcionar el amplificador en un escritorio, mesa, estantería o plataforma no estable o no apta.



LINE ARRAY

INTRODUCCIÓN

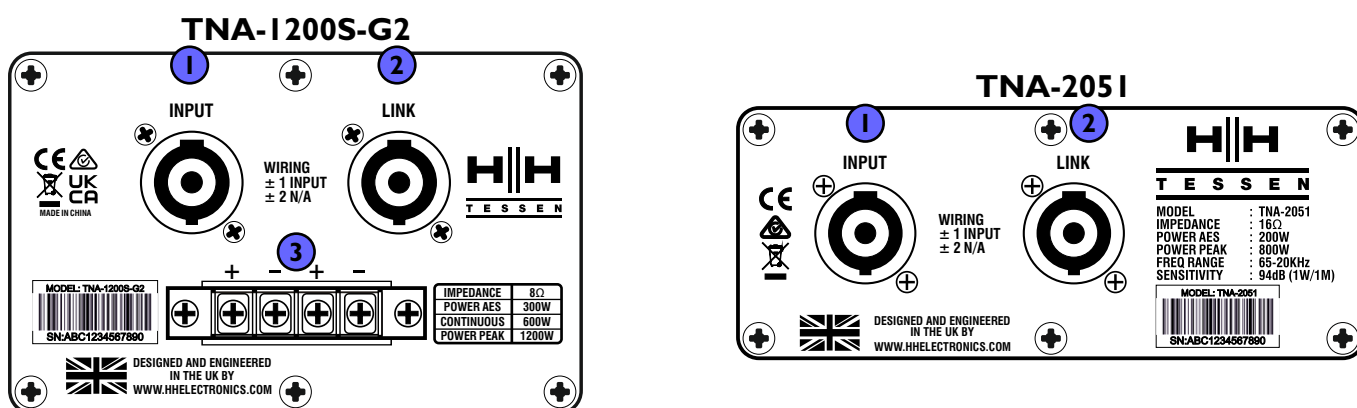
Con la creciente demanda para sistemas de sonido en vivo los usuarios requieren más del sistema de audio. El Mini Line Array TNA entrega una salida fuerte en un sistema compacto. Ideal para instalaciones permanentes o para rápidos ajustes si usado como sistemas portátiles, el mini line array TNA ofrece dinámicos cristalinos y puros para tu sonido.

La línea TNA consiste en las cajas satélites TNA-205 I; Caja de line array pasiva con dos altavoces de 5 pulgadas, un driver y guía de ondas exclusivo hecho por Celestion y el subwoofer TNA-I200S-G2; con un altavoz pasivo de 12 pulgadas de alta performance.

Además de las cajas TNA ofrecemos accesorios de calidad premium; el soporte de colgar TNA-BRK I hecho en acero sólido que proporciona muy alta seguridad cuando el sistema es colgado y el carrito TNA-DF I que se instala abajo del subwoofer TNA-I200S-G2 y permite usarlo en pie, además de facilitar el transporte del sistema completo.

Mini line array TNA – la solución perfecta de audio portátil o fija.

TNA-I200S-G2 AND TNA-205 I – PANEL TRASERO



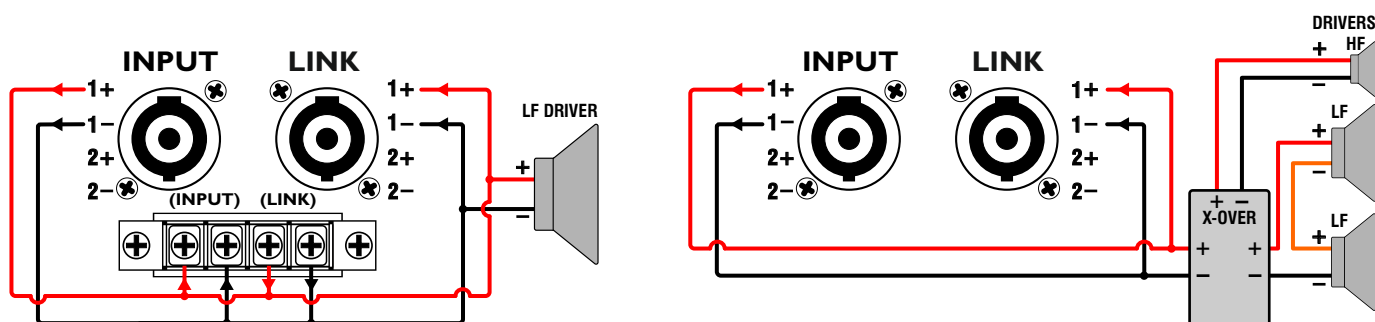
Al igual que con el TNA-I800S-G2, tanto el TNA-I200S-G2 como el TNA-205I cuentan con conectores Twist Lock NL4 ± 1 y con terminales M4 adicionales en el TNA-I200S-G2.

1: ENTRADA: Para conectar a la salida de su amplificador elegido. Verifique las especificaciones técnicas de su amplificador para asegurarse de que su capacidad de transmisión y potencia de salida sean adecuadas para usar con el TNA-I200S-G2.

2: LINK: Conectado en paralelo con el conector INPUT que permite agregar gabinetes adicionales a la cadena de altavoces.

3: CONECTORES DE TERMINALES M4: Provisos para mayor flexibilidad de cableado. Estos están conectados internamente a los conectores NL4 como se puede ver en el diagrama a continuación.

SISTEMA DE DIAGRAMA:



NO CONECTE UN SEGUNDO AMPLIFICADOR A LA SALIDA DE LINK NI A LOS CONECTORES DEL TERMINAL M4!





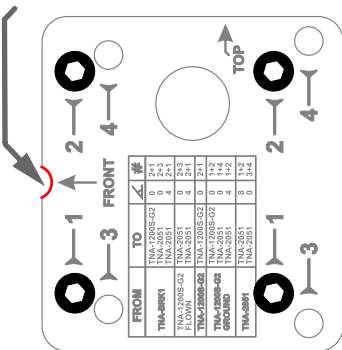
LINE ARRAY

Los adaptadores laterales del TNA son usados para la fijación mecánica entre las cajas de sub TNA-1200S-G2 y los satélites TNA-2051. Dependiendo de la combinación de hoyos utilizada, se puede obtener un sistema vertical o angulado.

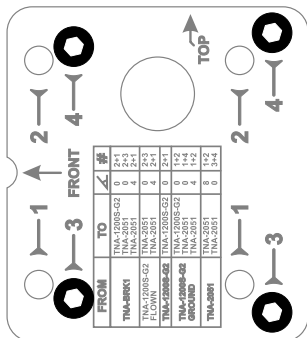
Las opciones de fijación se encuentran imprimidas en los adaptadores laterales.

En todas las instancias, la grabación de posición en el adaptador debe ser apuntada en sentido frontal con relación a la caja.

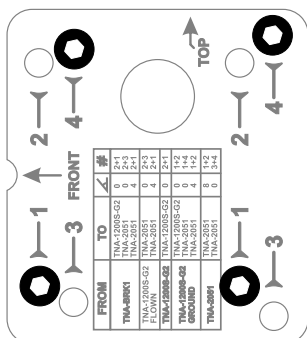
FROM	TO	∠	#
TNA-BRK1	TNA-1200S-G2	0	2+1
	TNA-2051	0	2+3
	TNA-2051	4	2+1
TNA-1200S-G2 FLOWN	TNA-2051	0	2+3
	TNA-2051	4	2+1
TNA-1200S-G2	TNA-1200S-G2	0	2+1
TNA-1200S-G2 GROUND	TNA-1200S-G2	0	1+2
	TNA-2051	0	1+4
TNA-2051	TNA-2051	4	1+2
	TNA-2051	8	1+2
		0	3+4



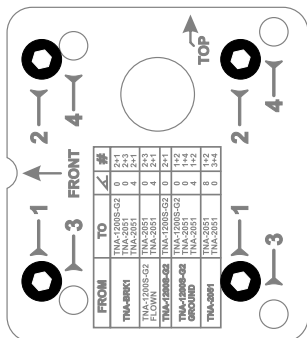
1+2



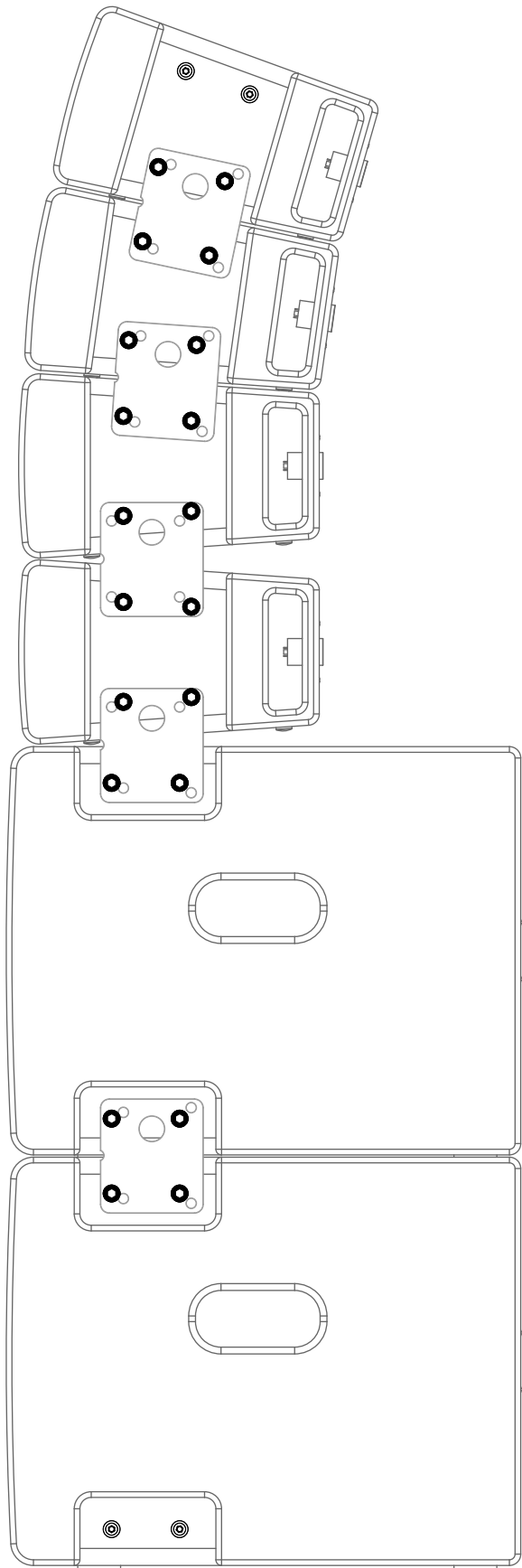
3+4



1+4



1+2



LINE ARRAY
SEGURIDAD

Colgar las cajas debe ser hecha apenas por personas calificadas y de acuerdo con las leyes locales, siempre usando adaptadores y material de soporte de alta calidad y seguros.

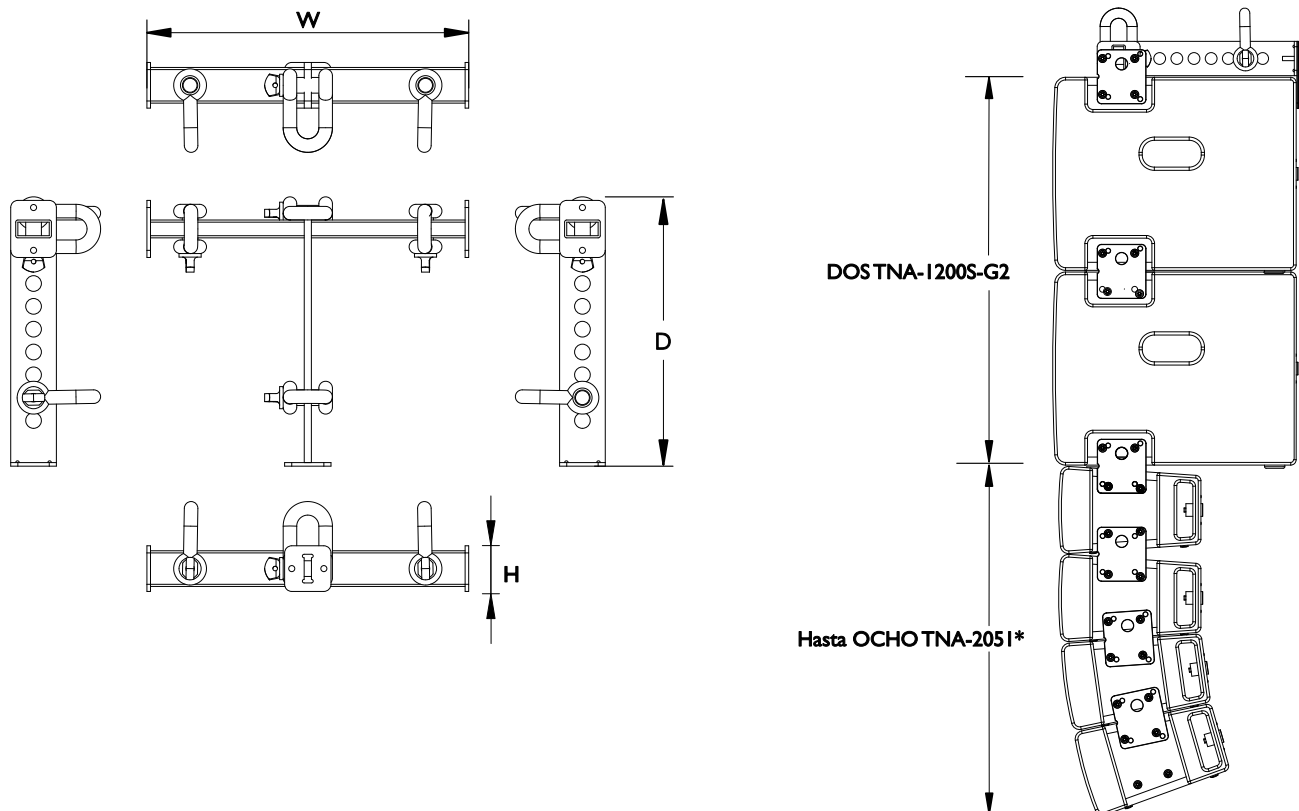
Es de responsabilidad del instalador asegurar que los puntos de fijación tienen estructura adecuada suficientemente para aguantar el peso de las cajas.

Una falla en el montaje en soporte de techos puede exponer a miembros de la audiencia a riesgos de salud y hasta muerte. Tenga esto en mente al colgar el sistema

En ninguna circunstancia trate usted de colgar o montar este sistema al techo caso no tenga usted calificación o autorización de las autoridades locales. Todas las instrucciones de seguridad relevantes deben ser seguidas. Caso no sea calificado, o no conozca las leyes locales, consulte quien lo sea para asistencia y auxilio.

Para mayor seguridad, es altamente recomendado que las conexiones de audio, fijaciones mecánicas y adaptadores de soporte sean revisadas constantemente.

Dependiendo de las regulaciones locales, soportes adicionales pueden ser requeridos.

LIMITE DE SOPORTE MAXIMO TNA-BRK1


*Se requiere soporte de retroceso adicional para más de 4 TNA-2051

ESPECIFICACIONES

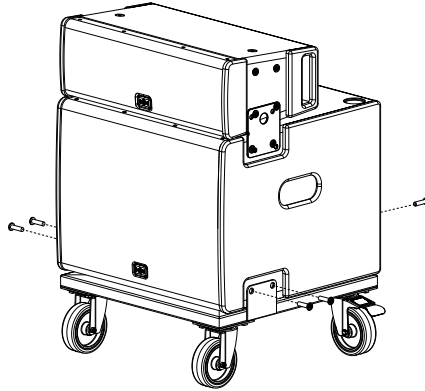
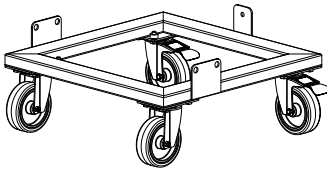
Model	TNA-BRK1
Suspension Type	The bracket allows you to fit upto three D-shackles (included)
Mounting Type	Five M8 mounting points hold the bracket securely to the cabinet
Max Load Weight	120Kg, 264lbs
Max Unit Load	8x TNA-2051 & 2x TNA-1200S-G2 OR 4x TNA-1200S-G2
Unit dimensions (HWD)	64 x 451 x 340mm, 2.5" x 17.8" x 13.4"
Unit weight	5.6Kg, 12.3 lbs
Carton dimensions (HWD)	145 x 505 x 430mm, 5.7" x 19.9" x 16.9" , 0.031 M3
Packed weight	6.7Kg, 14.8 lbs

In the interest of continued development, HH reserves the right to amend product specification without prior notification.

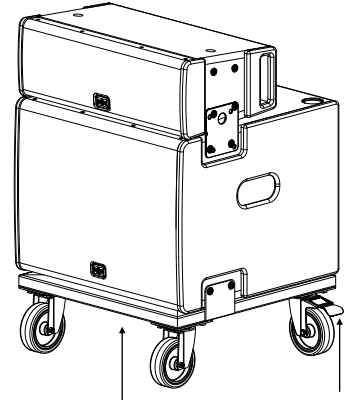


TNA-DFI - DOLLY BOARD

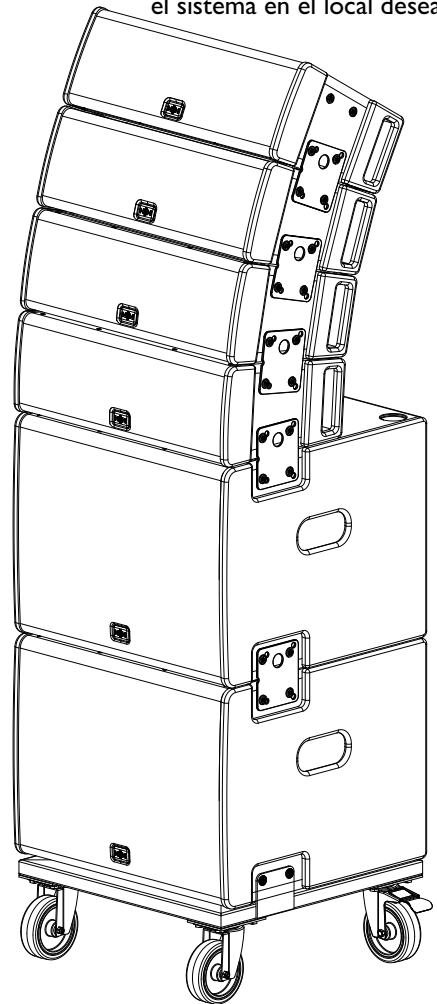
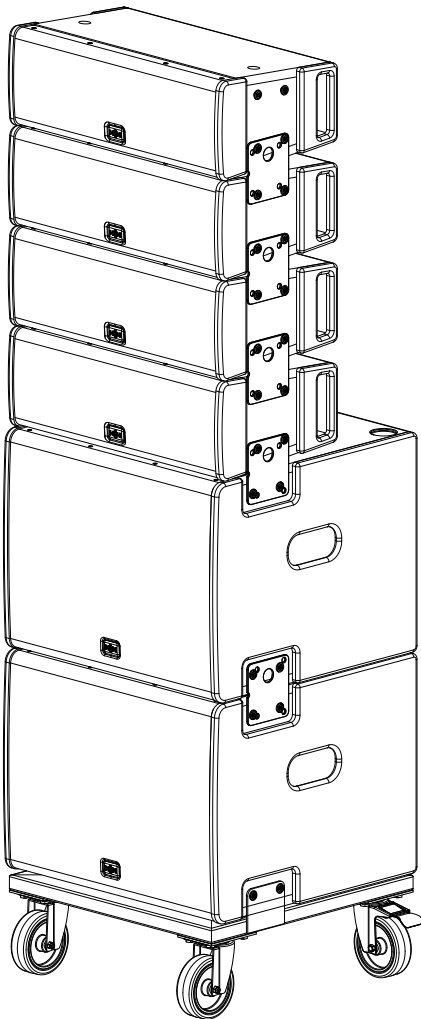
Con construcción sólida, pero de peso leve, el adaptador TNA-DFI permite repositionar y configurar las cajas fácilmente conforme el requerimiento presentado.



El sub TNA-I200S-G2 es montado al TNA-DFI (usando dos adaptadores laterales y un trasero) con seis tornillos M8 y 20 tornillos Hexagonales.



Asegure que el freno se encuentre accionado en las rueditas traseras al posicionar el sistema en el local deseado.



POR FAVOR NOTE: El máximo de cuatro satélites TNA-2051 y dos subwoofers TNA-I200-G2 deben ser usados en el carrito. No ponga nada más.





LINE ARRAY

INSTRUÇÕES DE SEGURANÇA

AVISO: Ao usar produtos eléctricos, averte básica devem ser sempre seguidas, incluindo as seguintes:

1. Leia estas instruções.
2. Guarde estas instruções de segurança.
3. Preste atenção a todos os avisos.
4. Siga todas as instruções.
5. Não use este aparelho perto da água.
6. Limpe apenas com um pano seco.
7. Não bloquee qualquer uma das aberturas de ventilação. Instale de acordo com as instruções do fabricante.
8. Não instale perto de fontes de calor, como radiadores, aquecedores, fogões ou outros aparelhos (incluindo amplificadores) que produzem calor.
9. Um aparelho com a construção de classe I devem ser conectado a uma tomada eléctrica com ligação de proteção. Não anule a finalidade de segurança da ficha polarizada ou do tipo terra. Uma ficha polarizada possui duas lâminas, uma mais larga que a outra. Uma ficha do tipo terra tem duas lâminas e um terceiro pino de aterramento. A lâmina larga ou o terceiro pino são fornecidos para sua segurança. Se a ficha fornecida não encaixar na sua tomada, consulte um electricista para a substituição da tomada obsoleta.
10. Proteja o cabo de alimentação de pisadelas ou apertos, especialmente nas fichas, receptáculos de conveniência e no ponto de saída do aparelho.
11. Utilize apenas ligações / acessórios fornecidos pelo fabricante.
12. Use somente com o carrinho, estrutura, tripé, suporte, ou mesa especificados pelo fabricante ou vendidos com o aparelho. Quando utilizar um carrinho, tenha cuidado ao mover o conjunto carrinho / dispositivo para evitar danos provocados pela queda. 13. A ficha da tomada ou aparelho forem utilizados como dispositivo de desconexão e deve estar sempre acessível. O usuário deve permitir o acesso fácil a qualquer ficha, acoplador de alimentação e interruptor de rede usada em conjunto com esta unidade, assim, tornando-o acessível. Desligue o aparelho durante tempestades com raios ou quando não for utilizado por longos períodos de tempo.
14. Solicite a assistência de pessoal qualificado. A manutenção é necessária quando o aparelho tiver sido danificado de qualquer maneira, como quando o cabo de alimentação ou a ficha estiverem danificados, líquido foi derramado ou objetos caídos dentro do aparelho, o aparelho tenha sido exposto à chuva ou umidade, não operar normalmente, ou se tiver caído.
15. Nunca quebre o pino terra. Ligue apenas a uma fonte de energia do tipo marcadas na unidade adjacente ao cabo de fornecimento de energia.
16. Se este produto for para ser montado em um bastidor de equipamentos, o suporte traseiro deve ser fornecido. 17. Nota para o Reino Unido: Se as cores dos fios do cabo de alimentação da unidade não correspondem com os terminais na ficha, faça o seguinte:
 - a) O fio que é colorido verde e amarelo tem de ser ligado ao terminal que está marcada com a letra E, o símbolo de terra, de cor verde ou colorido em verde e amarelo.
 - b) O fio é de cor azul, que tem de ser ligado ao terminal que está marcada com a letra N ou a cor preta.
 - c) O fio que é castanho deve ser ligado ao terminal que está marcada com a letra L ou a cor vermelha. Aparelhos eléctricos.
18. This não deve ser exposto a respingos e os cuidados devem ser tomados para não colocar objetos que contenham líquidos, tais como vasos, sobre o aparelho.
19. A exposição a níveis de ruído extremamente alta pode causar uma perda permanente da audição. Os indivíduos variam consideravelmente a susceptibilidade ao ruído induzido perda de audição, mas quase todo mundo vai perder alguma audição se expostos a ruído suficientemente intensa durante um tempo suficiente.

Segurança do Trabalho do governo dos EUA e Administração de Saúde (OSHA) especificou os seguintes exposições de nível de ruído admissíveis: de acordo com OSHA, a exposição em excesso dos limites admissíveis acima poderia resultar em alguma perda de audição. Tampões ou protectores para o canal auditivo ou sobre as orelhas, deve ser usada quando se opera este sistema de amplificação de modo a evitar a perda permanente da audição, se a exposição for superior a dos limites tal como descrito acima. Para garantir contra a exposição potencialmente perigoso para elevados níveis de pressão de som, recomenda-se que todas as pessoas expostas a um equipamento capaz de produzir níveis elevados de pressão sonora, como este sistema de amplificação de ser protegidos por protetores auditivos enquanto esta unidade está em operação.
20. Símbolos e nomenclatura utilizados no produto e nos manuais de produtos, destinados para alertar o operador para as áreas onde o cuidado extra pode ser necessário, são os seguintes:

duração por Dia em Horas	DBA Nível de som, resposta lenta
8	90
6	92
4	95
3	97
2	100
1 ½	102
1	105
½	110
¼ or less	115

Com a intenção de alertar o utilizador para a presença de "tensão perigosa" alto dentro do recinto produtos que poderá ser suficiente para constituir um risco de choque eléctrico para as pessoas.

Com a intenção de alertar o usuário da presença de importantes de operação e manutenção (assistência) na literatura que acompanha o produto.



CAUTION: Risco de choque eléctrico - NÃO ABRA. Para reduzir o risco de choque eléctrico, não remover a tampa. Não existem peças no interior. Consulte um técnico qualificado.

WARNING: Para evitar choque eléctrico ou risco de incêndio, não exponha este aparelho à chuva ou umidade. Antes de utilizar este aparelho, leia atentamente as instruções de operação.

Se o seu aparelho possui um mecanismo de inclinação ou um armário estilo propina, por favor, use esse recurso de design com cautela. Devido à facilidade com que o amplificador pode ser movida entre as posições de costas rectas e inclinada, usar apenas o amplificador numa superfície plana e estável. NÃO operar o amplificador em uma escrivaninha, mesa, prateleira ou de alguma forma inadequada plataforma nonstable.



LINE ARRAY

INTRODUÇÃO

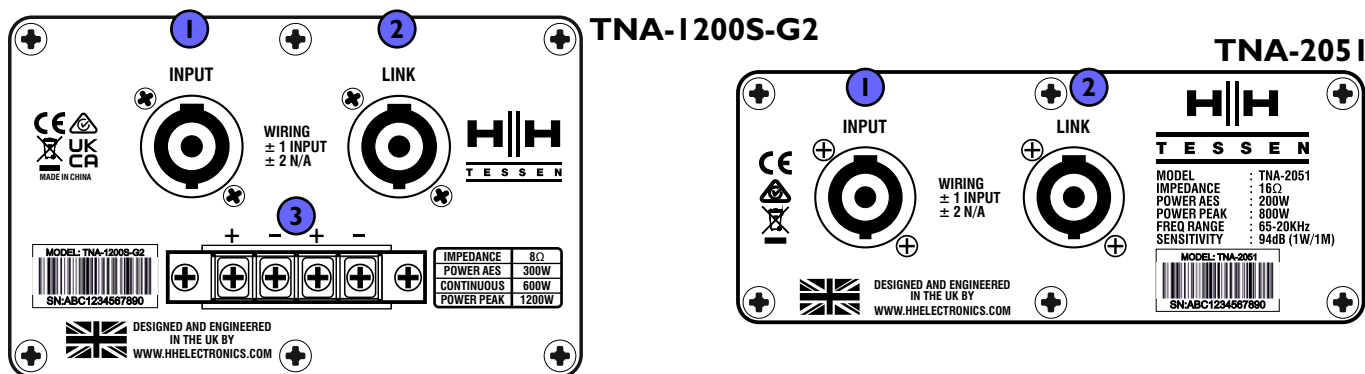
Com a crescente demanda para sistemas de som ao vivo, os usuários requerem cada vez mais do sistema de áudio. O mini line-array TNA entrega uma saída forte em um sistema compacto. Ideal para instalações permanentes o para rápidos ajustes se usado como sistemas portáteis, o mini line-array TNA oferece dinâmicos puros e cristalinos para seu som.

A linha TNA consiste nas caixas satélites TNA-205 I; caixa de line-array passiva com dois alto-falantes de 5 polegadas, um driver e guia de ondas exclusiva feitos pela Celestion e o subwoofer TNA-I200S-G2; com um alto-falante passivo de 12 polegadas de alta performance.

Adicionalmente as caixas TNA oferecemos acessórios de qualidade premium; o suporte de pendurar TNA-BRK I feito em aço solido que proporciona alta segurança quando o sistema é pendurado e o suporte carrinho TNA-DFI que se instala abaixo do subwoofer TNA-I200S-G2 e permite usar o sistema no chão, além de facilitar o transporte do sistema completo.

Mini line-array TNA – a solução perfeita de áudio portátil o fixa.

TNA-I200S-G2 AND TNA-205 I – PAINEL TRASEIRO



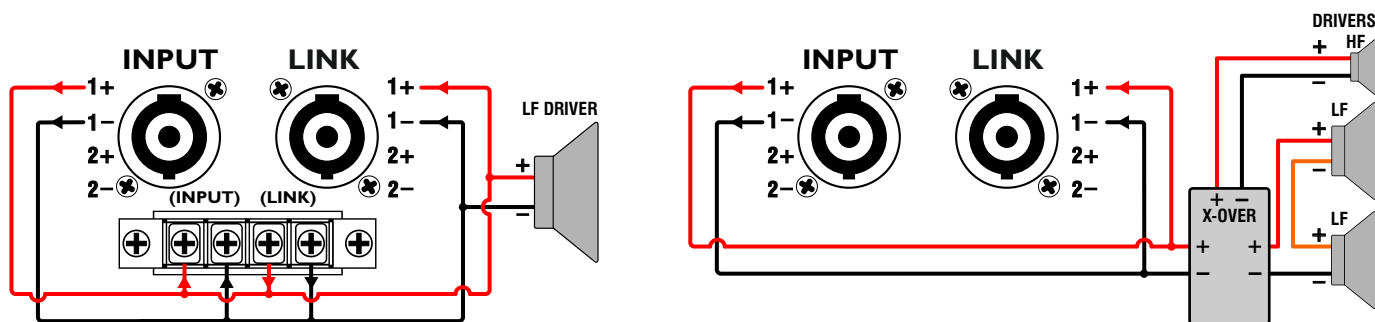
Al igual que con el TNA-I800S-G2, tanto el TNA-I200S-G2 como el TNA-205I cuentan con conectores Twist Lock NL4 \pm I y con terminales M4 adicionales en el TNA-I200S-G2.

1: ENTRADA: Para conectar a la salida de su amplificador elegido. Verifique las especificaciones técnicas de su amplificador para asegurarse de que su capacidad de transmisión y potencia de salida sean adecuadas para usar con el TNA-I200S-G2.

2: LINK: Conectado en paralelo con el conector INPUT que permite agregar gabinetes adicionales a la cadena de altavoces.

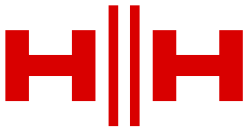
3: CONECTORES DE TERMINALES M4: Provistos para mayor flexibilidad de cableado. Estos están conectados internamente a los conectores NL4 como se puede ver en el diagrama a continuación.

SISTEMA DE DIAGRAMA:



¡NO CONECTE UN SEGUNDO AMPLIFICADOR A LA SALIDA DE LINK NI A LOS CONECTORES DEL TERMINAL M4!





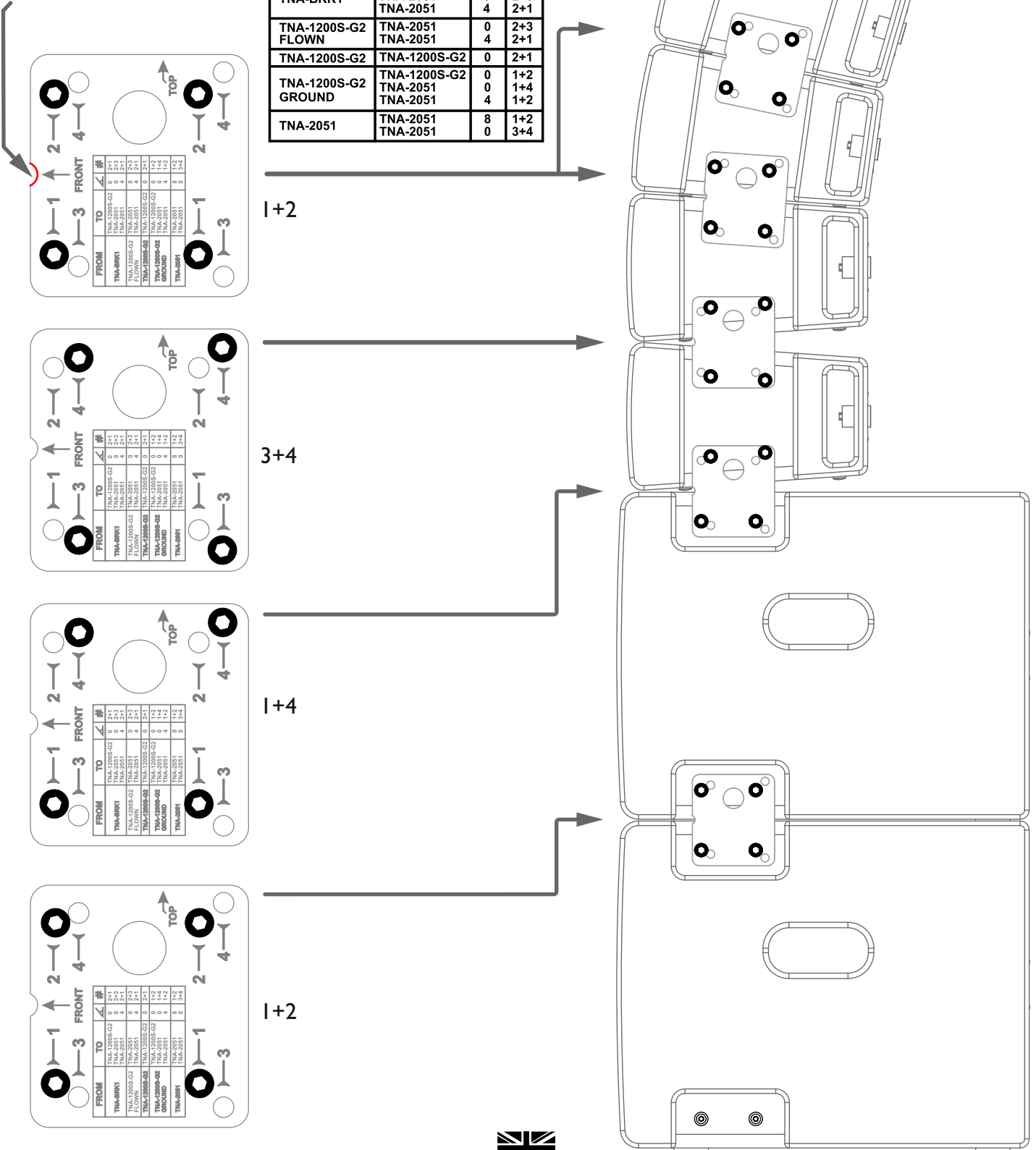
LINE ARRAY

Os adaptadores laterais do TNA são usados para a fixação mecânica entre as caixas de sub TNA-1200S-G2 e os satélites TNA-2051. Dependendo da combinação de furos utilizada, pode-se obter um sistema vertical ou angulado.

As opções de fixação se encontram gravadas nos adaptadores laterais.

Em todas as instâncias, a gravação de posicionamento no adaptador deve ser considerada com estas apontadas para a frente da caixa.

FROM	TO	∠	#
TNA-BRK1	TNA-1200S-G2	0	2+1
	TNA-2051	0	2+3
	TNA-2051	4	2+1
TNA-1200S-G2 FLOWN	TNA-2051	0	2+3
	TNA-2051	4	2+1
TNA-1200S-G2	TNA-1200S-G2	0	2+1
TNA-1200S-G2 GROUND	TNA-1200S-G2	0	1+2
	TNA-2051	0	1+4
	TNA-2051	4	1+2
TNA-2051	TNA-2051	8	1+2
	TNA-2051	0	3+4



Pendurar as caixas é uma tarefa para apenas pessoas qualificadas e de acordo com as leis locais, sempre usando adaptadores e material de suporte de alta qualidade e seguros.

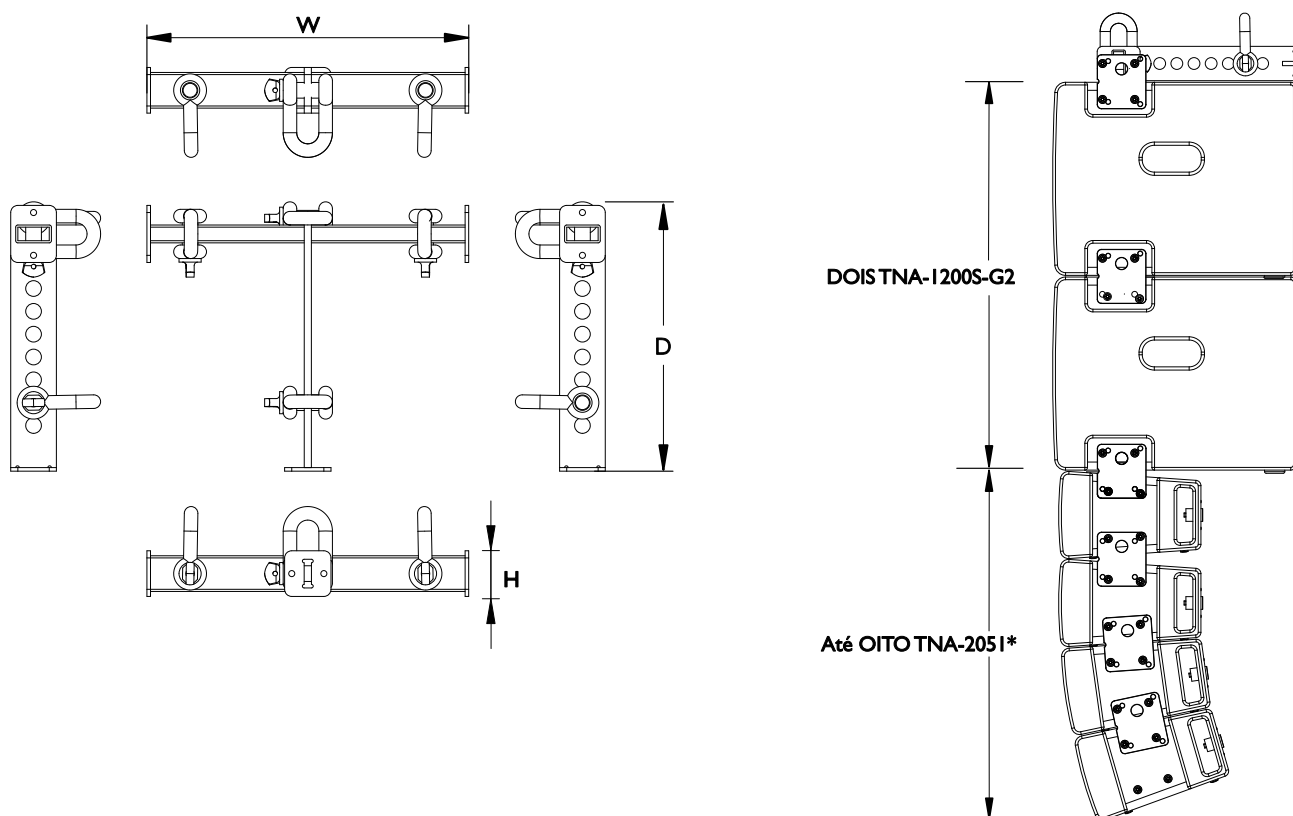
É de responsabilidade do instalador assegurar que os pontos de fixação possuam estrutura adequada e suficientemente forte para aguentar o peso das caixas.

Uma falha na montagem de suporte de teto pode expor toda a plateia a riscos de saúde e inclusive a morte. Tenha isto em mente ao pendurar o sistema

Sob nenhuma circunstância tente de pendurar ou montar este sistema caso não tenha qualificação ou autorização das autoridades locais. Todas as instruções de segurança relevantes devem ser seguidas. Caso não seja qualificado, ou não conheça as leis locais, consulte quem seja para assistência e auxílio.

Para maior segurança, é altamente recomendado que as conexões de áudio, fixações mecânicas e adaptadores de suporte sejam revisados constantemente.

Dependendo das regulações locais, suportes adicionais devem e podem ser requeridos.



*suporte extra de pull-back necessário para mais de 4 TNA-2051

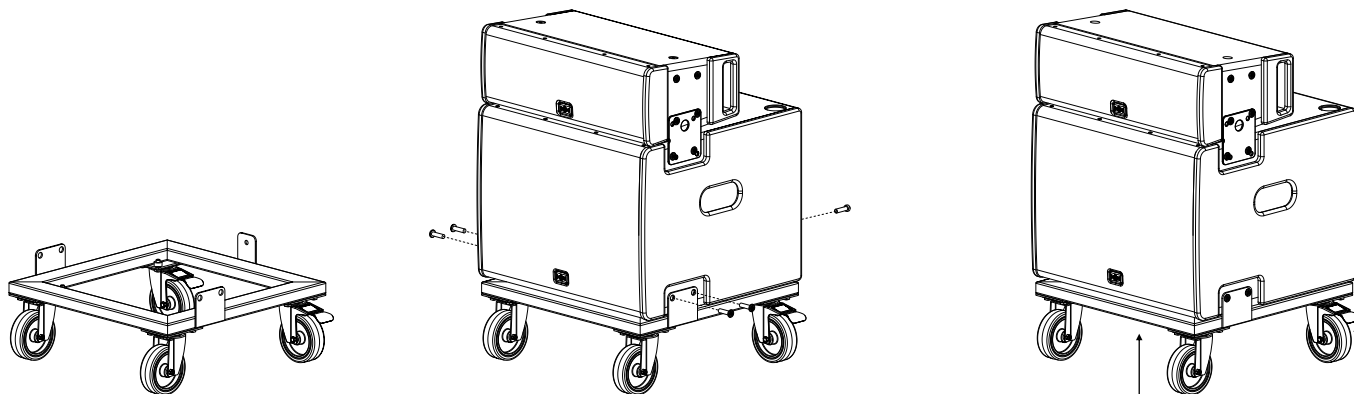
ESPECIFICAÇÕES

Model	TNA-BRK1
Suspension Type	The bracket allows you to fit upto three D-shackles (included)
Mounting Type	Five M8 mounting points hold the bracket securely to the cabinet
Max Load Weight	120Kg, 264lbs
Max Unit Load	8x TNA-2051 & 2x TNA-1200S-G2 OR 4x TNA-1200S-G2
Unit dimensions (HWD)	64 x 451 x 340mm, 2.5" x 17.8" x 13.4"
Unit weight	5.6Kg, 12.3 lbs
Carton dimensions (HWD)	145 x 505 x 430mm, 5.7" x 19.9" x 16.9" , 0.031 M3
Packed weight	6.7Kg, 14.8 lbs

In the interest of continued development, HH reserves the right to amend product specification without prior notification.

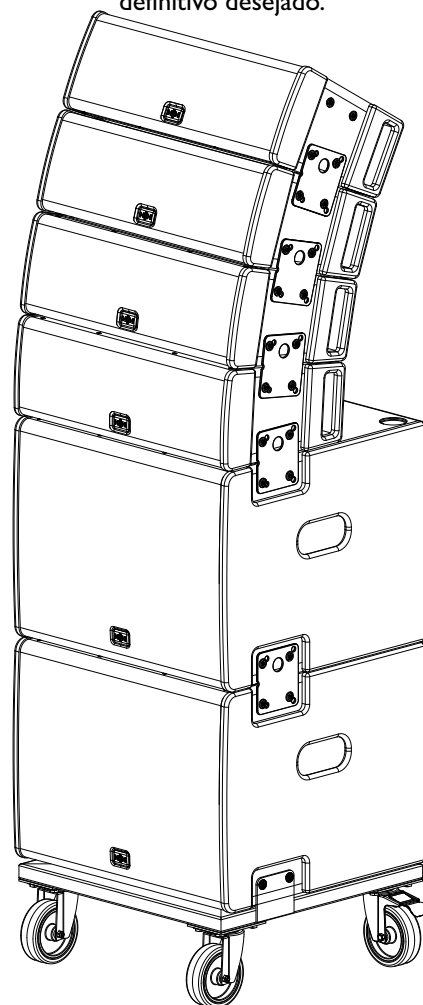
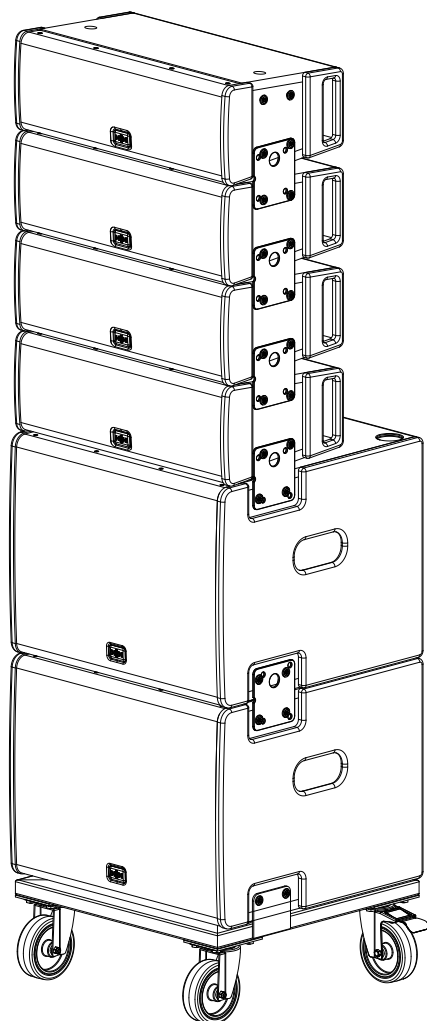


Com construção sólida e peso leve, o carrinho adaptador TNA-DFI permite reposicionar e configurar as caixas facilmente, conforme o requerimento apresentado.



O subwoofer TNA-I200S-G2 é montado ao TNA-DFI (usando dois adaptadores laterais e um traseiro) com seis parafusos M8 e 20 parafusos Hexagonais.

Assegure que o freio se encontre acionado nas rodinhas traseiras ao posicionar o sistema no local definitivo desejado.



POR FAVOR NOTE: O máximo de quatro satélites TNA-205I e dois subwoofers TNA-I200-G2 devem ser usados no carrinho. Não coloque nada mais.



重要安全说明

警告：使用电器产品时，应始终遵循基本的注意事项，包括以下各项：

1. 阅读这些说明。
2. 确保此类说明放置于安全处。
3. 注意所有警告。
4. 请遵守所有说明。
5. 请勿在近水处使用该电器。
6. 仅可用干布清洁该电器。
7. 请勿堵塞该电器上的任何通风口。根据制造商的说明进行安装。
8. 请勿将该电器安装在靠近热源，如散热器、热风机、炉子或其他发热设备（包括功率放大器）。
9. 与 I 类建筑设备连接时，应连接到带保护的电源插座上。不要忽视极性或接地类型插头的安全作用。极性插头具有两个片状电极，其中一个较宽。接地类型插头具有两个片状电极和第三只接地脚。宽片状电极或第三只接地极用于保证使用者及电器的安全。如所提供的插头不适用于插座，须请专业人员更换，切勿自行更换电源插座。
10. 保护电源线，不被踩踏或挤压，尤其在插头、插座以及电源线的连接处。
11. 仅可采用制造商提供的附件或配件。
12. 仅可使用制造商指定的、或与该电器一同出售的货车、台架、三脚架、支架或台桌。使用货车，及移动货车/搬运该电器时，须注意，避免倾翻产生损坏。
13. 电源插头或该电器的转接插头，应保持其易操作性。用户应使用与该电器匹配的电源插头、连接器和电源开关，应易于操作。在雷雨或长时间不使用时，拔下该电源插头。
14. 当该电器受到任何方式的损坏时，如：电源线或插头被损坏、液体泼溅或物体落入电器内、该电器放置于有雨水或潮湿处、及该电器坠落后，无法正常运行，需进行检修时，必须请有资格认证的维修人员进行维修。
15. 请勿折断电源插头上的接地极。仅可连接到在插头的片状电极旁边已标注符号的极性上。
16. 如此电器须安装在设备架上，应提供后部支架。
17. 仅适用于英国的注意事项。如该电器的电源线中电缆颜色与插头片状电极不相符，请按照以下步骤进行操作：
 - a) 黄绿色电缆须连接至标有字母“E”的电极，为接地符号。颜色为黄绿色或绿色。
 - b) 蓝色电缆须连接至标有字母“N”的电极，颜色为蓝色或黑色。
 - c) 棕色电缆须连接至标有字母“L”的电极，颜色为棕色或红色。
18. 该电器不能放置于有水滴或有水溅出的地方，须注意，不要将盛有液体的容器，如花瓶放在该电器上。
19. 如果人处于极高噪音级中可能会造成永久失聪。每个人受噪音导致听力损害的差异很大。然而若长时间处于极强噪音中，任何人几乎都会造成不同程度的听力损害。美国政府职业安全健康管理局（OSHA）指定了以下允许范围内的噪音级别，见右表：根据OSHA，任何超出上述允许的极限范围可导致不同程度的听力损害。在运行该电器时，人体处于超出了以上设定的限制，须佩戴耳塞或配备耳朵的保护装置，以预防永久性听力损害。为避免可能处于强声压程度的危险，该电器运行时，建议处于强声压程度下的所有人均配备听力保护装置。
20. 用于产品和说明书上的符号和术语是为了提醒操作人员注意需要额外注意的地方，具体如下：

每天持续时间 (小时)	噪声程度(dBA) 缓慢反应
8	90
6	92
4	95
3	97
2	100
1 1/2	102
1	105
1/2	110
1/4 或更少	115



旨在提醒使用者小心产品空箱内的未绝缘“危险电压”，这可能足以对人构成触电危险。

旨在提醒使用者与产品一起提供的说明书中的重要操作和维护（保修）说明。小心触电-不能打开

为了降低触电风险，请不要打开盖子。里面不含任何用户可用的配件。请将维修交于被许可的人员。

为避免触电或火灾，请不要将本产品置于雨中或潮湿环境中。在使用本产品前，请仔细阅读操作说明。



21. 该产品仅适用于海拔2000m以下地区安全使用



该产品仅适用于非热带气候条件下安全使用

如果你的产品是倾斜的结构或是后倾款式的箱体，请小心使用该设计特征。由于功放可以在直立和后倾方式之间转换，请在平坦、牢固的表面使用该产品。请不要在桌子、架子或其它不适合、不牢固的平台上使用该功放。



介绍.

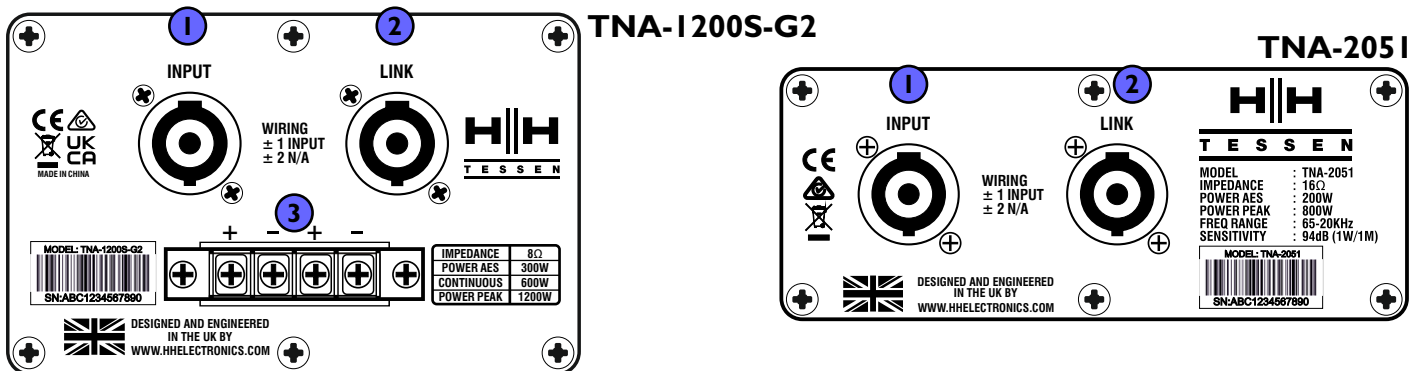
随着现场扩声的场景应用的需求增长，用户对音频系统的要求更高。TNA 小型线阵列可在紧凑的系统中提供高功率的输出。TNA 小型线阵列既适合作为固定安装的音响系统，也适合便携式使用，可提供清晰的动态效果。

TNA 系列包括 TNA-2051：具有定制设计的 Celestion 压缩驱动器和双 5 英寸两分频无源线阵列扬声器，以及 TNA-1200S-G2：12 英寸高性能无源超低音扬声器。

除 TNA 系列扬声器外，还有高级的配件。TNA-BRK1 实心钢制吊挂支架，在安装时提供 TNA 系统的牢固悬挂。TNA-DF1 轮式推车框架，为 TNA-1200S-G2 提供了地面堆叠系统的灵活运输。

TNA 小型线阵列 - 提供完美的流动便携或固定安装音频解决方案。

TNA-1200S-G2 和 TNA-2051 - 后面板



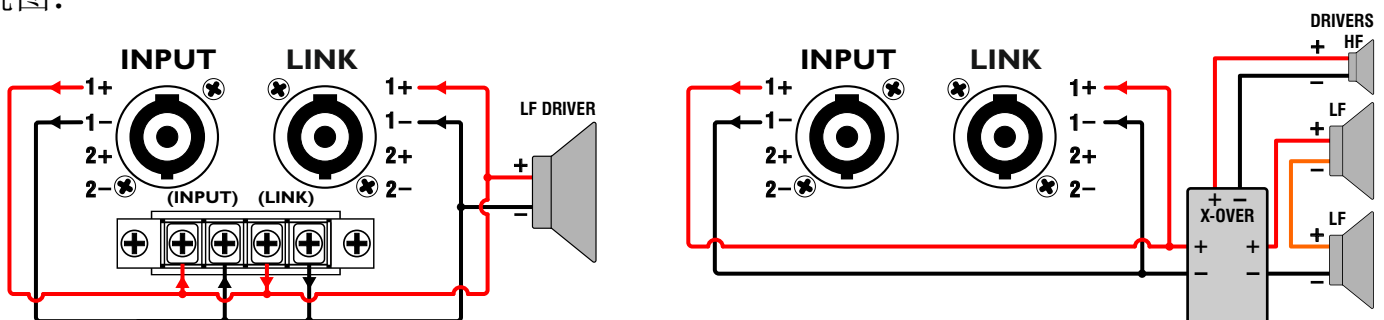
与 TNA-1800S-G2 一样，TNA-1200S-G2 和 TNA-2051 都具有 NL4 ± 1 扭锁连接器，在 TNA-1200S-G2 上带有额外的 M4 端子连接器。

1: 输入: 连接到您选择的放大器的输出。检查放大器的技术规格，确保其驱动能力和输出功率适合与 TNA-1200S-G2 机柜一起使用。

2: LINK: 与 INPUT 连接器并联连接，允许将额外的箱体添加到扬声器链中。

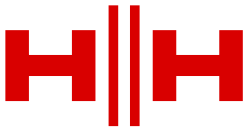
3: M4 端子连接器: 提供额外的接线灵活性。这些在内部连接到 NL4 连接器，如下图所示。

系统图:



请勿将第二个放大器连接到链路输出或 M4 端子连接器!





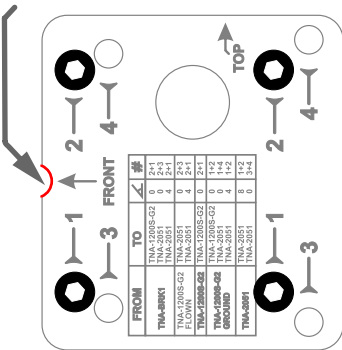
LINE ARRAY

TNA侧边支架用于在TNA-1200S-G2和TNA-2051箱体之间进行机械固定/支撑。 根据所用安装的方式进行组合，可以实现垂直或成角度的布置。

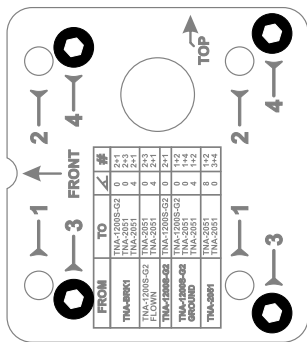
正确的安装方式印在侧面支架上。

在所有情况下，定位槽口都应指向箱体的正面。

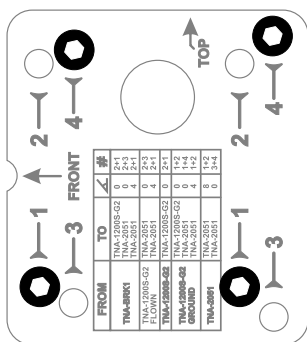
FROM	TO	∠	#
TNA-BRK1	TNA-1200S-G2	0	2+1
	TNA-2051	0	2+3
	TNA-2051	4	2+1
TNA-1200S-G2 FLOWN	TNA-2051	0	2+3
	TNA-2051	4	2+1
TNA-1200S-G2	TNA-1200S-G2	0	2+1
TNA-1200S-G2 GROUND	TNA-1200S-G2	0	1+2
	TNA-2051	0	1+4
TNA-2051	TNA-2051	4	1+2
	TNA-2051	8	1+2
		0	3+4



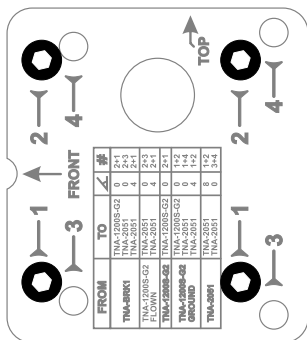
1+2



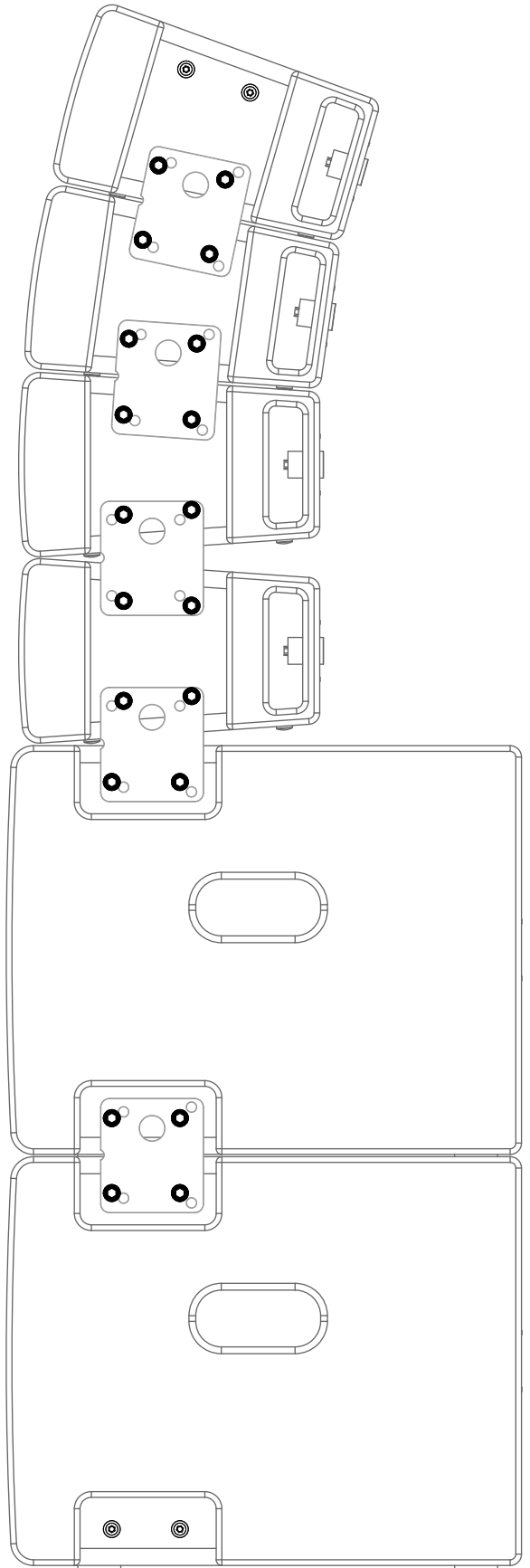
3+4



1+4



1+2





LINE ARRAY

TNA-BRK1 - FLYING BRACKET

TESSEN

LIVE SOUND & INSTALLATION



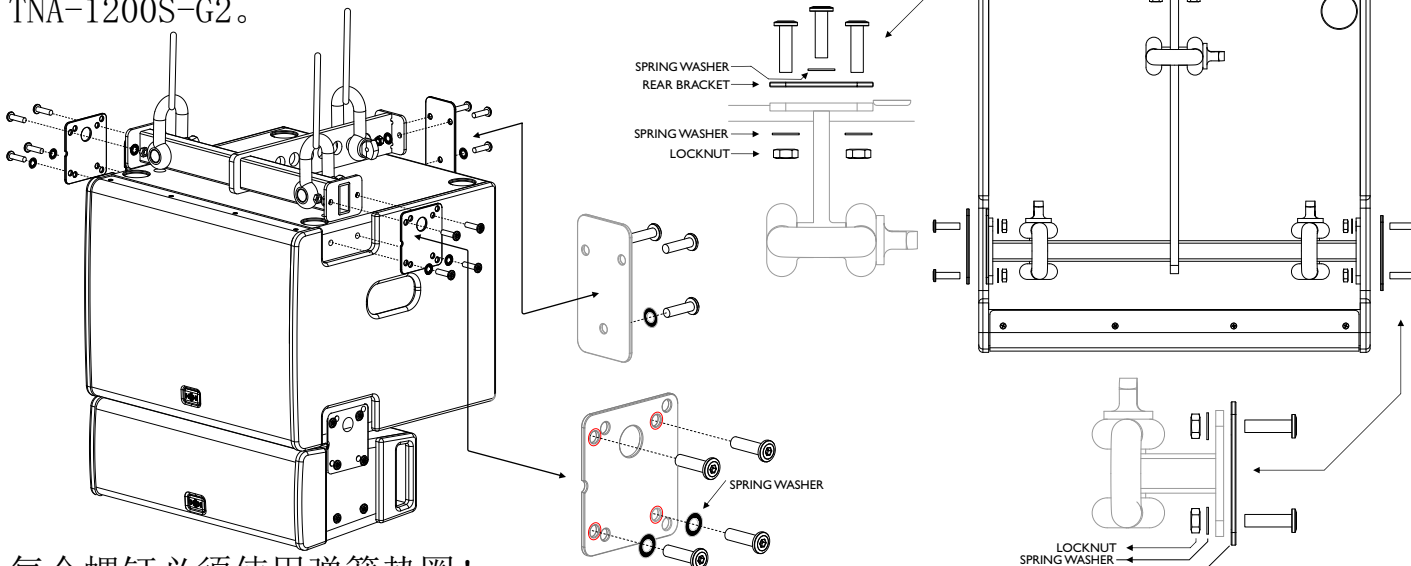
TNA-BRK1吊挂支架可将TNA-1200S-G2和TNA-2051组合一起吊挂起来。通过其坚固的钢结构，TNA-BRK1可安全地同时支持最多两个TNA-1200S-G2和四个TNA-2051扬声器。

KIT CONTENTS

	1 x Lift Bracket assembly
	3 x D-shackle
	2 x Side plate
	1 x Rear plate
	7 x M8x25mm connector bolt
	7 x Spring washers
	6 x M8 lock nuts

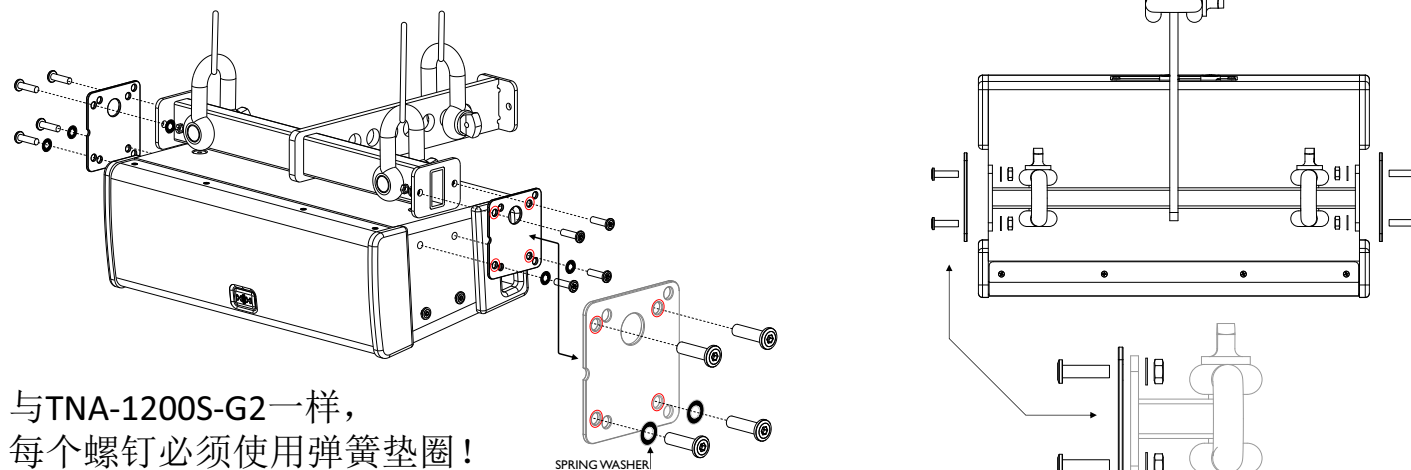
TNA-1200S-G2 的吊挂支架

TNA-BRK1使用两个侧支架和一个后支架连接到TNA-1200S-G2。



每个螺钉必须使用弹簧垫圈！
安装支架时，请格外小心，不要交叉使用侧面螺钉！

TNA-2051的吊挂支架



与TNA-1200S-G2一样，
每个螺钉必须使用弹簧垫圈！



安全

只能由具有适当资质的人员且必须遵守所有当地法律并使用批准的硬件来进行扬声器的吊挂。

安装者有责任确保固定点在结构上足以支撑扬声器的重量。

这些扬声器的索具安装或悬挂安装可能会使公众面临严重的健康风险甚至死亡。

在任何情况下，除非您完全具备相关地方，州和国家有关部门的资格并获得认证，否则

在任何情况下都不要尝试安装，悬挂或以其他方式安装此系统。必须遵守所有相关的安全规定。

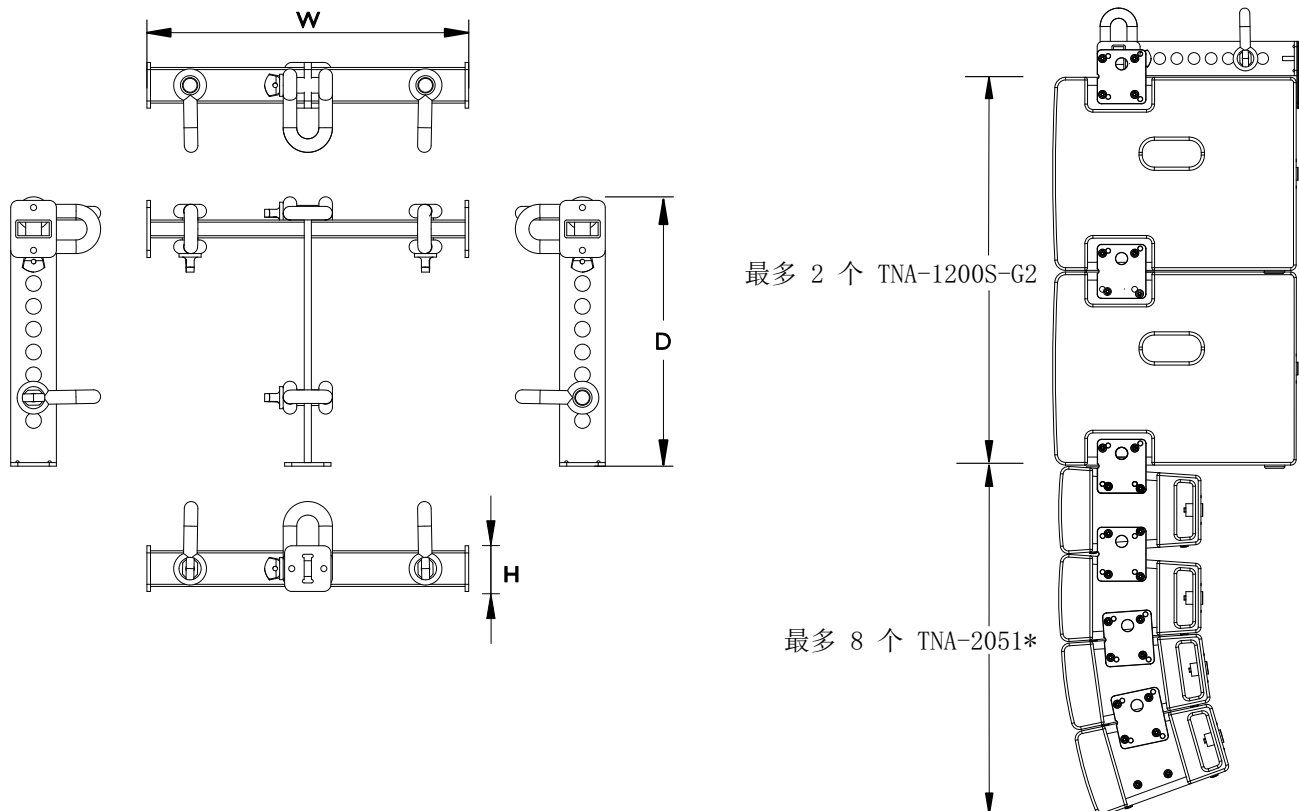
如果您没有适当的资格或不了解相关法规，请咨询合格的人员以寻求建议和帮助。

助。

为了提高安全性，强烈建议定期检查音频连接，机械固定和安装支架。

根据当地法规，可能需要添加回拉支撑。

TNA-BRK1最大支持重量是有限制的。



*超过 4 个 TNA-2051 需要额外的回拉支持

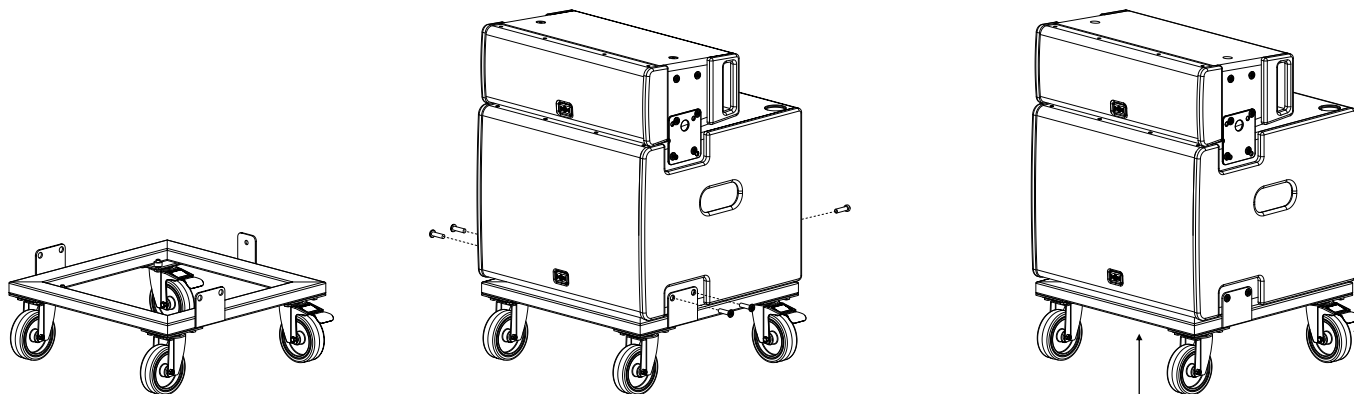
规格

Model	TNA-BRK1
Suspension Type	The bracket allows you to fit upto three D-shackles (included)
Mounting Type	Five M8 mounting points hold the bracket securely to the cabinet
Max Load Weight	120Kg, 264lbs
Max Unit Load	8x TNA-2051 & 2x TNA-1200S-G2 OR 4x TNA-1200S-G2
Unit dimensions (HWD)	64 x 451 x 340mm, 2.5" x 17.8" x 13.4"
Unit weight	5.6Kg, 12.3 lbs
Carton dimensions (HWD)	145 x 505 x 430mm, 5.7" x 19.9" x 16.9" , 0.031 M3
Packed weight	6.7Kg, 14.8 lbs

In the interest of continued development, HH reserves the right to amend product specification without prior notification.

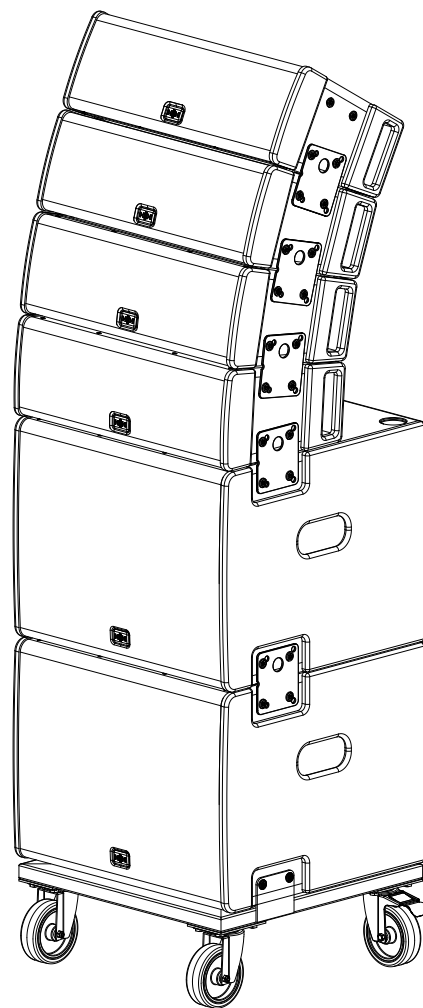
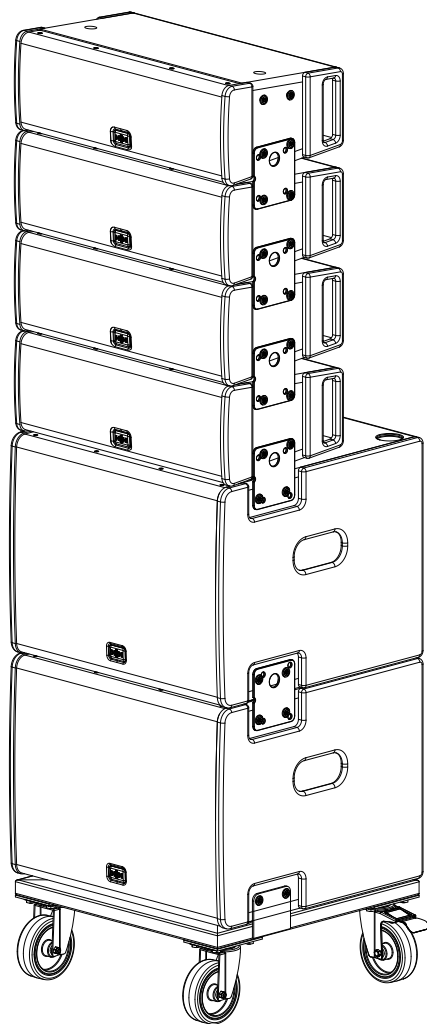


TNA-DF1轻巧坚固的设计使扬声器可以轻松放置和配置，以适应需求。



TNA-1200S-G2用六个M8 x 20六角螺栓固定在TNA-DF1上（使用两侧和一个后支架）。

一旦正确放置设备后，确保将折片固定在后轮上。



请注意：一块小板车上最多可使用四个TNA-2051和两个TNA-1200S-G2。



중요안전수칙

경고: 전기 제품을 사용하는 경우, 다음과 같은 기본적인 수칙을 항상 준수해야 합니다.

1. 지침을 읽으십시오.
2. 지침을 안전하게 보관하십시오.
3. 모든 경고에 유의하십시오.
4. 모든 지침을 따르십시오.
5. 이 제품을 물 근처에서 사용하지 마십시오.
6. 항상 마른 천으로 청소하십시오.
7. 통풍구를 막지 마십시오. 제조사의 지침에 따라 설치하십시오.
8. 난방기, 열 조절 장치, 스토브 또는 다른 장치(앰프 포함) 등 발열 근처에 설치하지 마십시오.
9. Class I 구조의 제품은 보호 커넥션과 함께 전원 콘센트에 연결해야 합니다. 유극 형 또는 접지 형 플러그의 안전수칙을 준수하십시오. 유극형 플러그는 다른 것보다 넓은 두 개의 날이 있습니다. 접지 형 플러그에는 두 개의 날과 세 번째 접지가닥이 있습니다. 넓은 날이나 세 번째 접지용 가닥은 사용자의 안전을 위해 제공됩니다. 제공된 플러그가 사용자의 콘센트와 맞지 않는 경우에는 전기 기술자에게 콘센트 교체를 문의하십시오.
10. 특히 플러그, 콘센트 및 기기에서 나오는 곳에서 전원모드가 밝히거나 꼬이는 것을 방지하십시오.
11. 제조사가 제공하는 부속 및 액세서리만을 사용하십시오.
12. 제조사가 지정한 카드, 스탠드, 삼각대, 받침대 또는 테이블 그리고 제품과 함께 판매된 것들만 사용하십시오. 카드를 제품과 함께 이동할 때 제품이 뒤집어져 부상을 당하지 않도록 카드 사용시 주의하십시오.
13. 전원 플러그나 기기용 커플러는 분리장치로 사용되며 즉시 작동할 수 있는 상태로 유지해야 합니다. 사용자는 모든 전원 플러그에 쉽게 접근이 가능해야 하며 전원 커플러와 전원 스위치가 이 유닛과 잘 결합하여 쉽게 작동해야 합니다. 천동번개나 장시간 사용하지 않을 경우 장치의 플러그를 뽑으십시오.
14. 자격을 갖춘 서비스 엔지니어에게 모든 서비스를 문의하십시오. 예를 들어 전원 공급 코드나 플러그가 손상되었거나 액체가 제품에 떨어진 경우, 제품에 비 또는 습기에 노출된 경우, 정상적으로 작동하지 않거나 제품을 떨어뜨린 경우에는 서비스가 필요합니다.
15. 그라운드 핀을 억지로 분리하지 마십시오. 전원코드에 인접한 장치에 표시된 유형의 전원에만 연결하십시오.
16. 이 제품을 장비선반에 올릴 경우 뒷면 지지대가 필요합니다.
17. 영국을 위한 노트: 전원 전선의 색상이 사용자 플러그의 터미널과 일치하지 않는다면 다음과 같이 진행하십시오.
a) 녹색과 노랑색 와이어는 E라고 적힌 녹색이나 노랑색 터미널과 연결되어야 합니다.
파란색 와이어는 N이라고 적힌 검은색 터미널과 연결되어야 합니다.
갈색 와이어는 L이라고 적힌 빨간색 터미널과 연결되어야 합니다.
18. 이 전기 제품은 습기나 액체에 노출되지 않아야 하며, 액체를 포함하는 꽃병과 함께 위치하면 안 됩니다.
19. 상당히 높은 노이즈 레벨에 노출되면 청력이 손상될 수 있습니다. 상당한 시간 동안 집중적인 노이즈에 노출되면 거의 모든 사람들이 청력을 상실할 수 있습니다.
미국 정부의 산업안전보건관리 Occupational Safety and Health Administration (OSHA)는 다음과 같은 허용 소음 레벨을 지정하였습니다. OSHA에 따르면 위의 허용 한도를 초과하는 노출은 약간의 청력 손실이 발생할 수 있습니다. 이 앰프 시스템을 작동할 때 노출이 위 명시된 한계를 초과하는 경우, 영구적인 청력 손실을 방지하기 위해선 귀를 보호하기 위한 귀마개 등을 착용해야 합니다. 또한 높은 음압의 잠재적인 위험 노출에 대비하기 위해서는 앰프 같은 높은 음압을 낼 수 있는 기기가 작동되는 동안 귀 보호장비가 필요합니다.
20. 사용자의 주의가 필요한 제품 매뉴얼에서 사용되는 기호 및 명칭은 다음과 같습니다.

하루 평균시간	Sound Level dBA, slow response
8	90
6	92
4	95
3	97
2	100
1 1/2	102
1	105
1/2	110
1/4이하	115



제품에 동봉된 'Dangerous Voltage'는 사람에게 전기적 충격의 위험을 경고하기 위한 것입니다.

제품에 주요 동작 및 유지 보수(서비스) 내용이 포함된 지침서는 사용자를 위한 것입니다.

감전위험- 열지 마십시오. 감전의 위험을 줄이기 위해 커버를 제거하지 마십시오. 자격을 갖춘 엔지니어에게 문의하십시오.

감전이나 화재의 위험을 방지하기 위해서 이 제품을 비나 습기에 노출시키지 마십시오. 이 제품을 사용하기 전에 사용설명서를 읽어보시기 바랍니다.

(앰프를 사용하지 않을 때는 항상 스위치를 끄고 전원 코드를 뽑으십시오)

사용자의 기기가 킥백 스타일(기기를 뒤로 기울이는 스타일)의 캐비닛인 경우 이 디자인의 주의사항을 확인하십시오. 편의 때문에 앰프를 똑바로 세우거나 기울이면 앰프를 평평한 곳에서 사용하십시오. 앰프를 절대 책상이나 테이블 선반 또는 다른 적합하지 않은 곳에서 작동하지 마십시오.



LINE ARRAY

소개글.

근래 라이브 시스템에 대한 수요가 증가함에 따라 더 다양한 음향 시스템이 요구되고 있습니다. TNA mini line array는 컴팩트함과 함께 높은 출력을 지니고 있습니다. 인스톨과 이동형 시스템에 적합하며, TNA mini line array는 선명하고 역동적인 특징을 제공합니다.

TNA는 - TNA-2051: Celestion 압축 드라이버 및 웨이브 가이드 설계된 Dual 5" two-way passive line array speaker와 TNA-1200S-G2 : 12" 고성능 passive subwoofer 로 구성 되어있습니다.

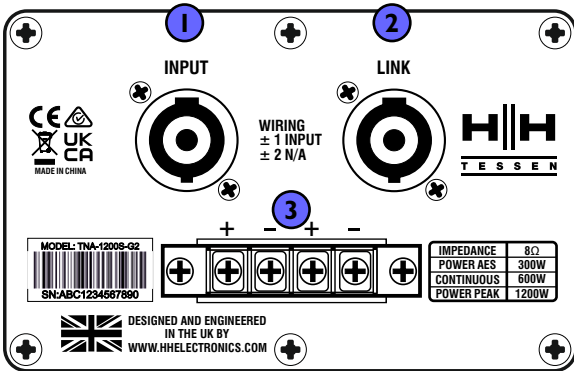
TNA스피커 인클로저와 함께 프리미엄 액세서리와 함께 구성되어 있습니다. TNA-BRK1 solid steel flying bracket을 통해 안전하게 고정하여 인스톨할 수 있습니다.

바퀴가 부착된 돌리 프레임 TNA-DF1은 TNA-1200S-G2 에 부착할 수 있어 스택형 시스템을 위해 유연한 운반이 가능합니다.

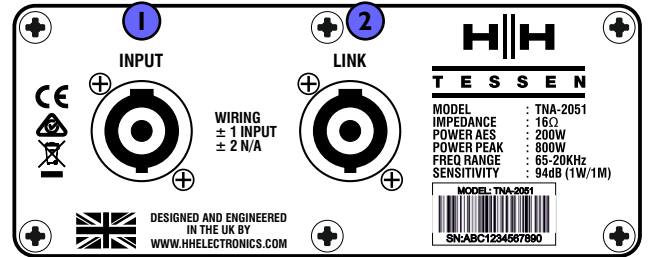
TNA mini line array - 이동형 및 인스톨에 완벽한 오디오 솔루션.

후면 패널

TNA-1200S-G2



TNA-2051



후면 패널 - I/O

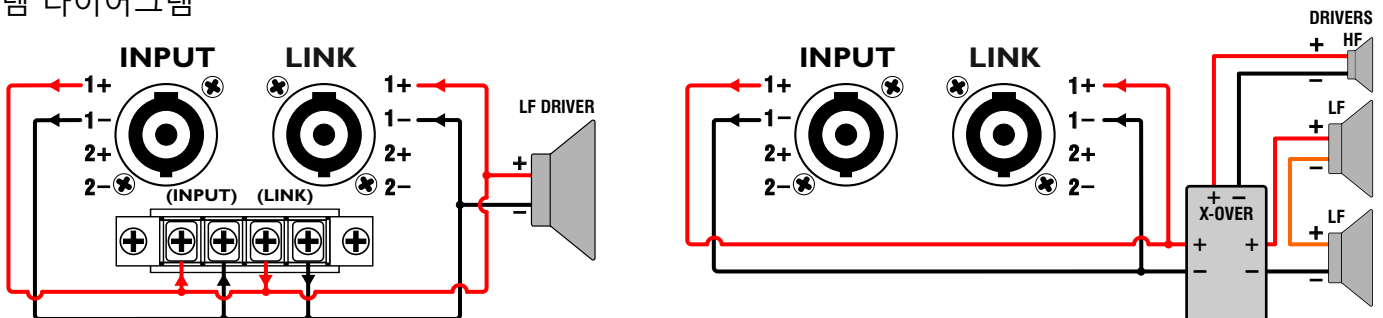
TNA-1800S-G2와 마찬가지로 TNA-1200S-G2 및 TNA-2051 모두 NL4 ±1 트위스트 잠금 커넥터와 TNA-1200S-G2에 추가 M4 터미널 커넥터가 있습니다.

1: INPUT: 선택한 앰프의 출력에 연결합니다. 앰프의 기술 사양을 확인하여 드라이브 기능과 출력 전력이 TNA-1200S-G2 캐비닛과 함께 사용하기에 적합한지 확인하십시오.

2: LINK: 입력 커넥터와 병렬로 연결되어 스피커 체인에 추가 캐비닛을 추가할 수 있습니다.

3: M4 단자 커넥터: 추가 배선 유연성을 위해 제공됩니다. 이들은 아래 다이어그램에서 볼 수 있듯이 NL4 커넥터에 내부적으로 연결되어 있습니다.

시스템 다이어그램



두 번째 앰프를 링크 출력이나 M4 단자 커넥터에 연결하지 마십시오

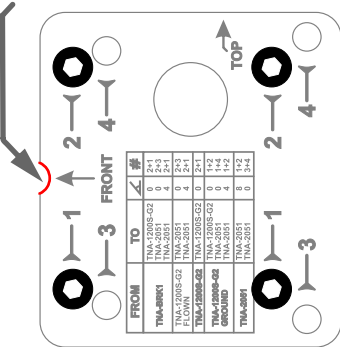


TNA 사이드 브래킷은 TNA-1200S-G2 와 TNA-2051체결시 고정될 수 있도록 사용됩니다. 구멍의 조합에 따라 수직이나 각을 주는 배열이 가능합니다.

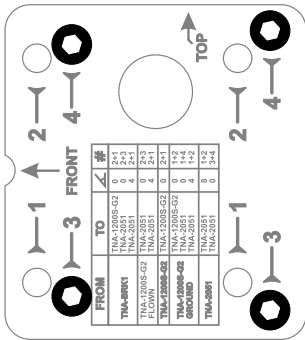
장착 옵션은 브래킷 상에 표기되어 있습니다.

모든 경우에 있어서 화살표의 부분이 스피커 전면부로 향하도록 위치해야 합니다.

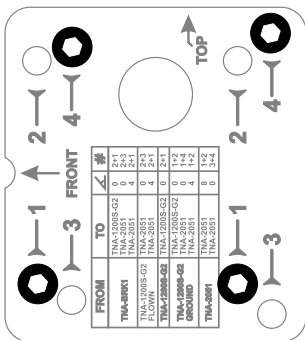
FROM	TO	∠	#
TNA-BRK1	TNA-1200S-G2	0	2+1
	TNA-2051	0	2+3
	TNA-2051	4	2+1
TNA-1200S-G2 FLOWN	TNA-2051	0	2+3
	TNA-2051	4	2+1
TNA-1200S-G2	TNA-1200S-G2	0	2+1
TNA-1200S-G2 GROUND	TNA-1200S-G2	0	1+2
	TNA-2051	0	1+4
TNA-2051	TNA-2051	4	1+2
	TNA-2051	8	1+2
		0	3+4



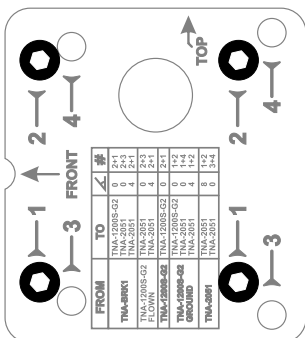
1+2



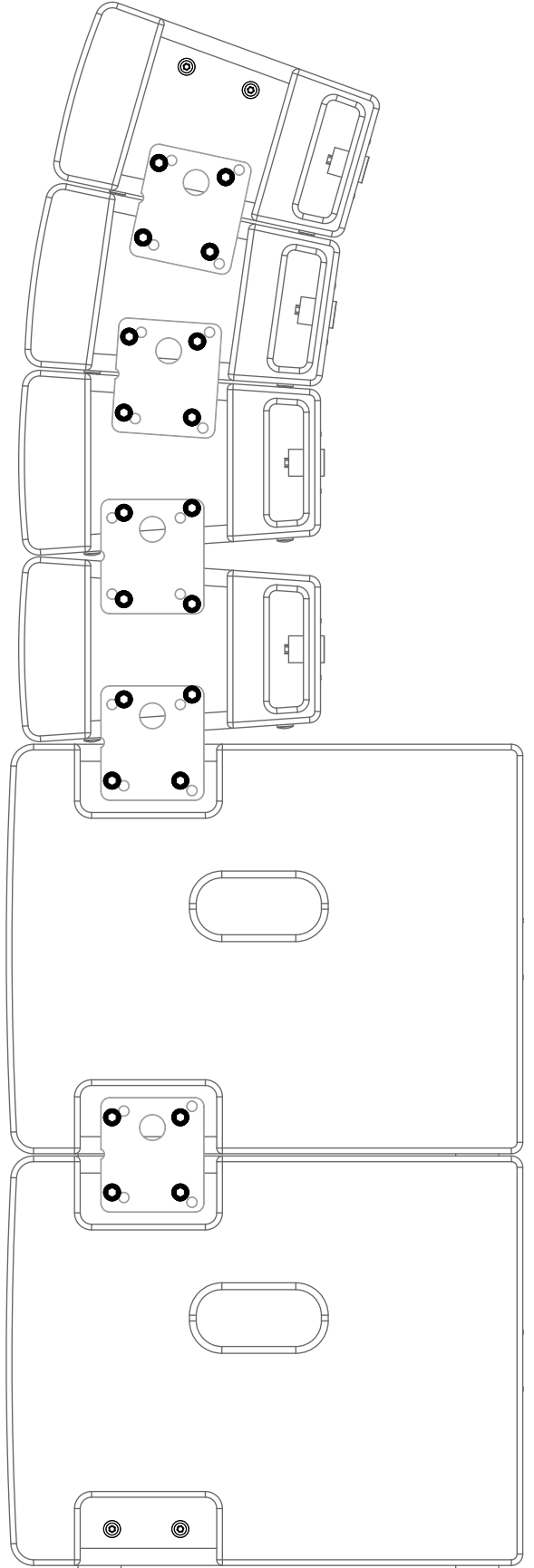
3+4



1+4



1+2



안전관련

플라잉 인스톨은 모든 현지 법률을 준수하고 승인된 하드웨어를 사용하는 적절한 자격을 갖춘 사람만이 작업해야 합니다.

고정되는 지점이 구조적으로 스피커의 무게를 지탱하기에 적절한지 확인하는 것은 설치자의 책임입니다 .

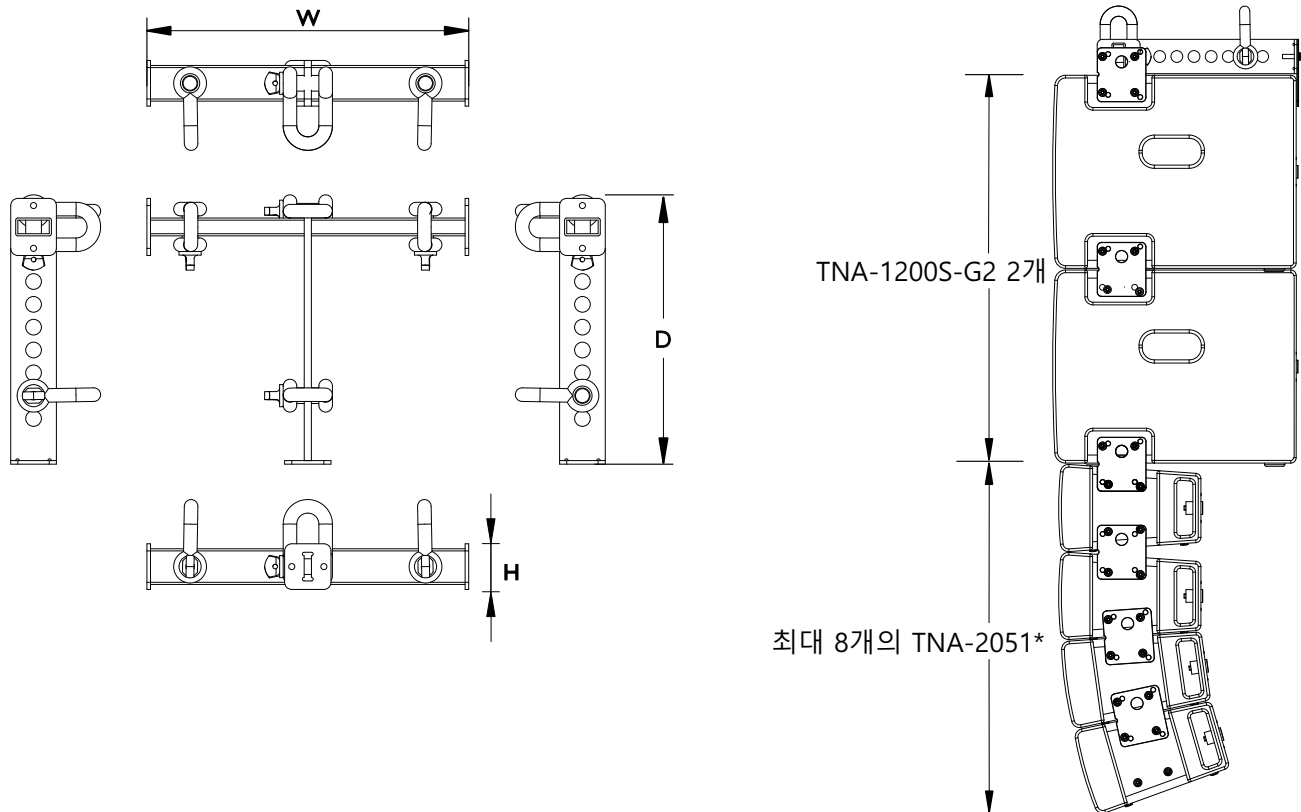
리깅 또는 서스펜드 마운팅 설치시 주위 사람들에게 심각한 위험을 초래할 수 있으므로 각별히 주의하십시오 .

어떠한 경우에도 현지 시,도,군 및 국가 당국의 자격을 갖추고 인증을 받지 않는 한 이 시스템을 개조 하거나 장착 시도하는 것을 금합니다. 모든 관련 안전 규정을 준수해야 하며, 자격을 제대로 갖추지 못했거나 관련 규정에 대해 잘 모르는 경우 담당자에 조언 및 도움을 청해야 합니다.

안전을 위해 덧붙이자면, 오디오 연결부와 물리적인 고정장치 및 마운팅 브라켓은 정기적으로 점검하는 것이 좋습니다.

현지 규정에 따라 추가적인 추가적인 지원이 필요할 수 있습니다.

TNA-BRK1 MAXIMUM SUPPORT LIMIT



*4개 이상의 TNA-2051에는 추가 풀백 지원이 필요합니다.

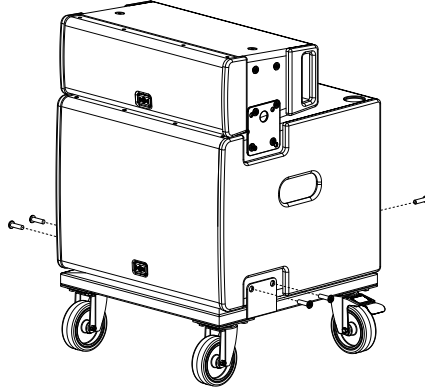
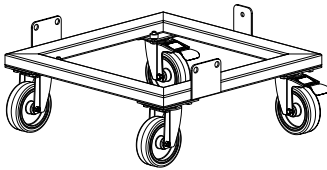
명세서

Model	TNA-BRK1
Suspension Type	The bracket allows you to fit upto three D-shackles (included)
Mounting Type	Five M8 mounting points hold the bracket securely to the cabinet
Max Load Weight	120Kg, 264lbs
Max Unit Load	8x TNA-2051 & 2x TNA-1200S-G2 OR 4x TNA-1200S-G2
Unit dimensions (HWD)	64 x 451 x 340mm, 2.5" x 17.8" x 13.4"
Unit weight	5.6Kg, 12.3 lbs
Carton dimensions (HWD)	145 x 505 x 430mm, 5.7" x 19.9" x 16.9" , 0.031 M3
Packed weight	6.7Kg, 14.8 lbs

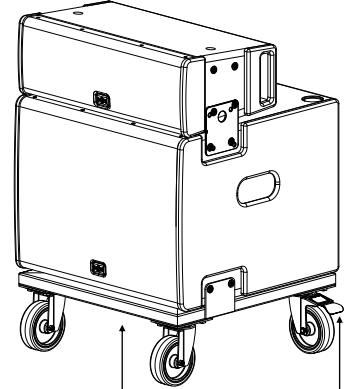
In the interest of continued development, HH reserves the right to amend product specification without prior notification.



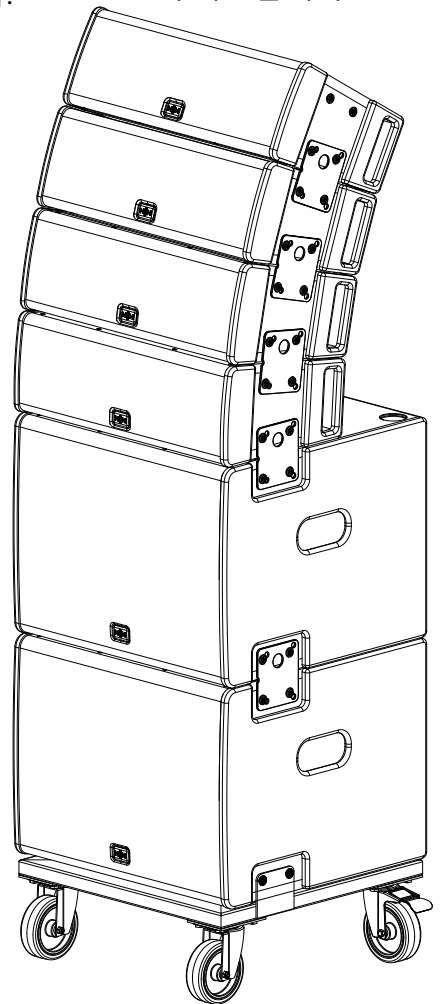
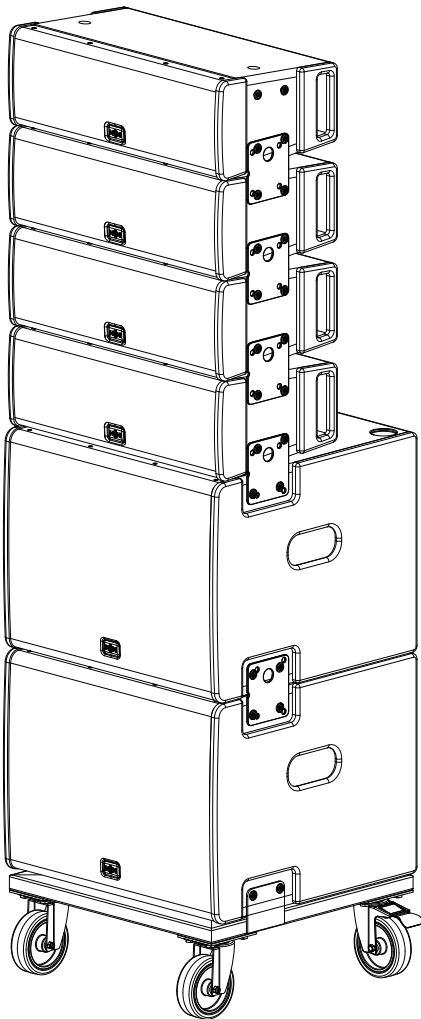
TNA-DF1은 견고하면서 경량화 되어 설계되어 스피커의 위치를 쉽게 조정할 수 있으며 현장 요구사항에 맞게 구성할 수 있습니다.



TNA-1200S-G2 는 M8x20 육각 볼트 6개로 TNA-DF1(측면 2개, 후면 브라켓 1개)에 고정됩니다.

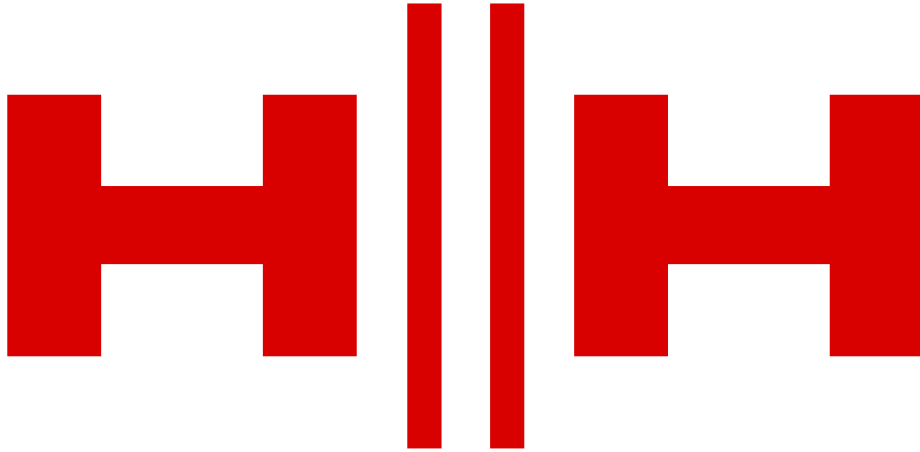


어레이를 적절하게 배치한 후 바퀴 브레이크가 걸려있는지 확인합니다.



주의사항: Dolly Board에는 최대 4개의 TNA-2051과 2개의 TNA-1200S-G2 이 허용됩니다.





HHELECTRONICS



HHELECTRONICS



HHELECTRONICS



WWW.HHELECTRONICS.COM

Model number:

Serial number:

Place of purchase:

Date of purchase: