

LINE ARRAY

TNA-BRK1 - FLYING BRACKET



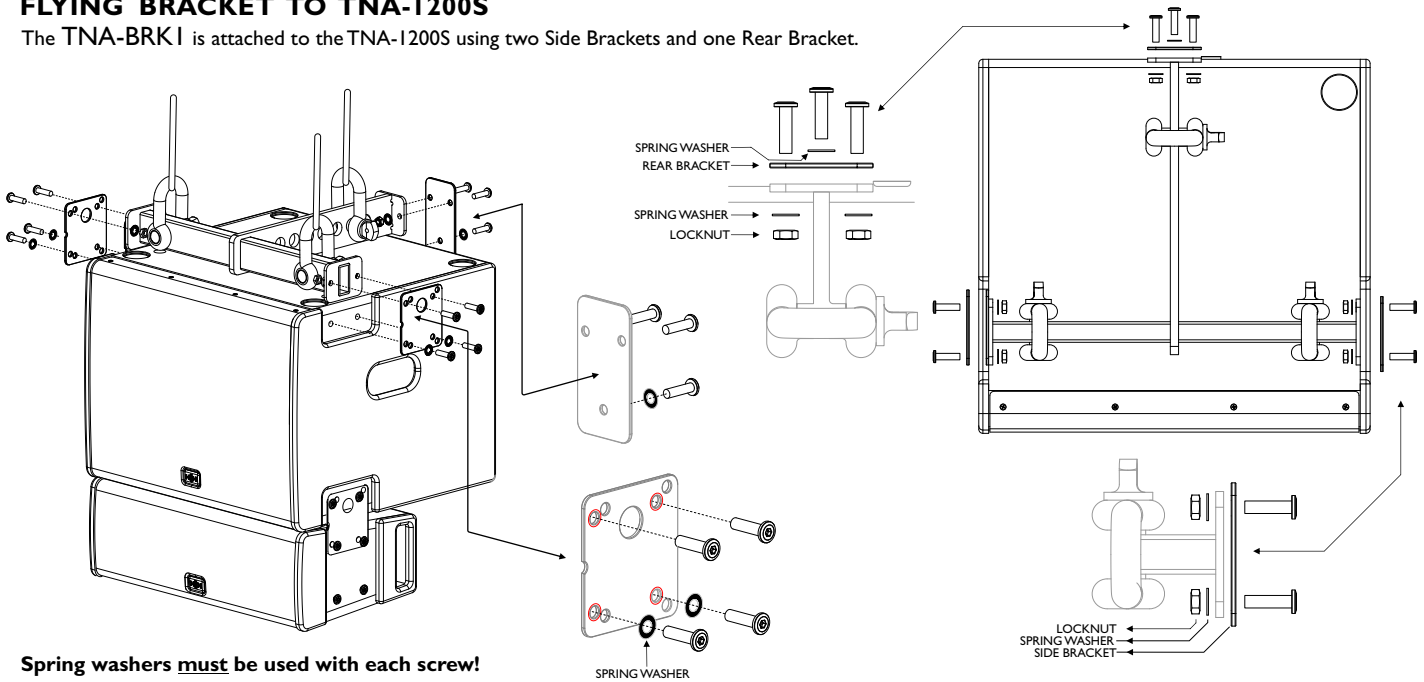
Thank you for purchasing the TNA-BRK1 flying bracket for use with the TNA-1200S and TNA-2051. With its solid steel construction, the TNA-BRK1 securely supports up to two TNA-1200S and four TNA-2051 enclosures simultaneously.

KIT CONTENTS

	1 x Lift Bracket assembly
	3 x D-shackle
	2 x Side plate
	1 x Rear plate
	7 x M8x25mm connector bolt
	7 x Spring washers
	6 x M8 lock nuts

FLYING BRACKET TO TNA-1200S

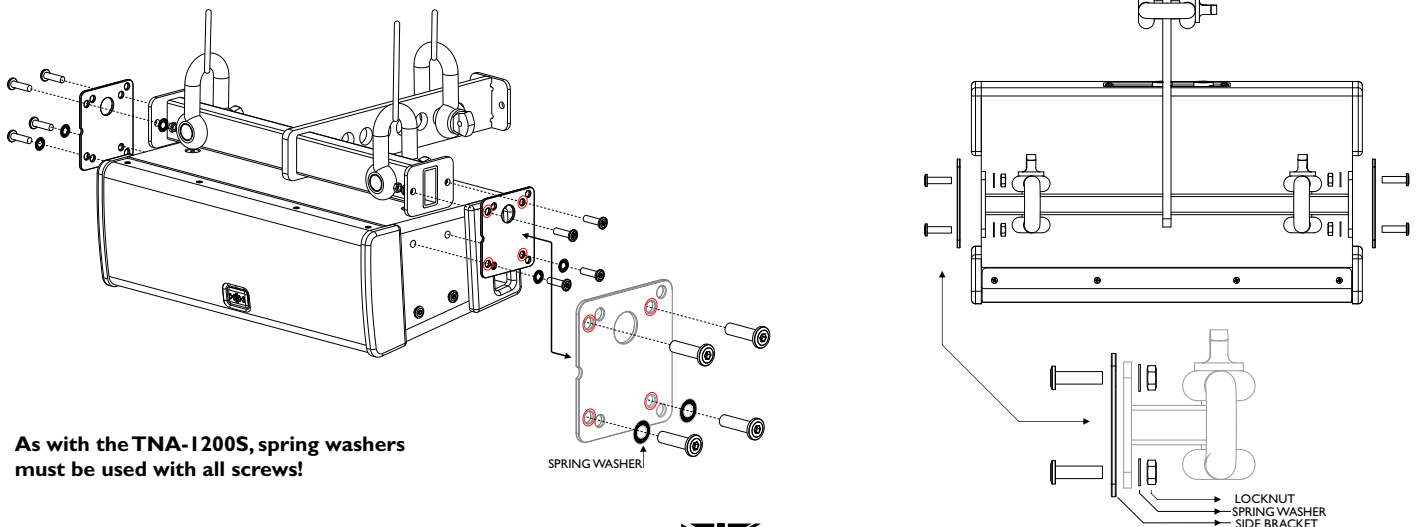
The TNA-BRK1 is attached to the TNA-1200S using two Side Brackets and one Rear Bracket.



Spring washers must be used with each screw!

FLYING BRACKET TO TNA-2051

A TNA-2051 requires the use of Side Brackets only.



As with the TNA-1200S, spring washers must be used with all screws!



LINE ARRAY

SAFETY

The flying of cabinets should be performed only by properly qualified persons, in compliance with all local laws and using approved hardware.

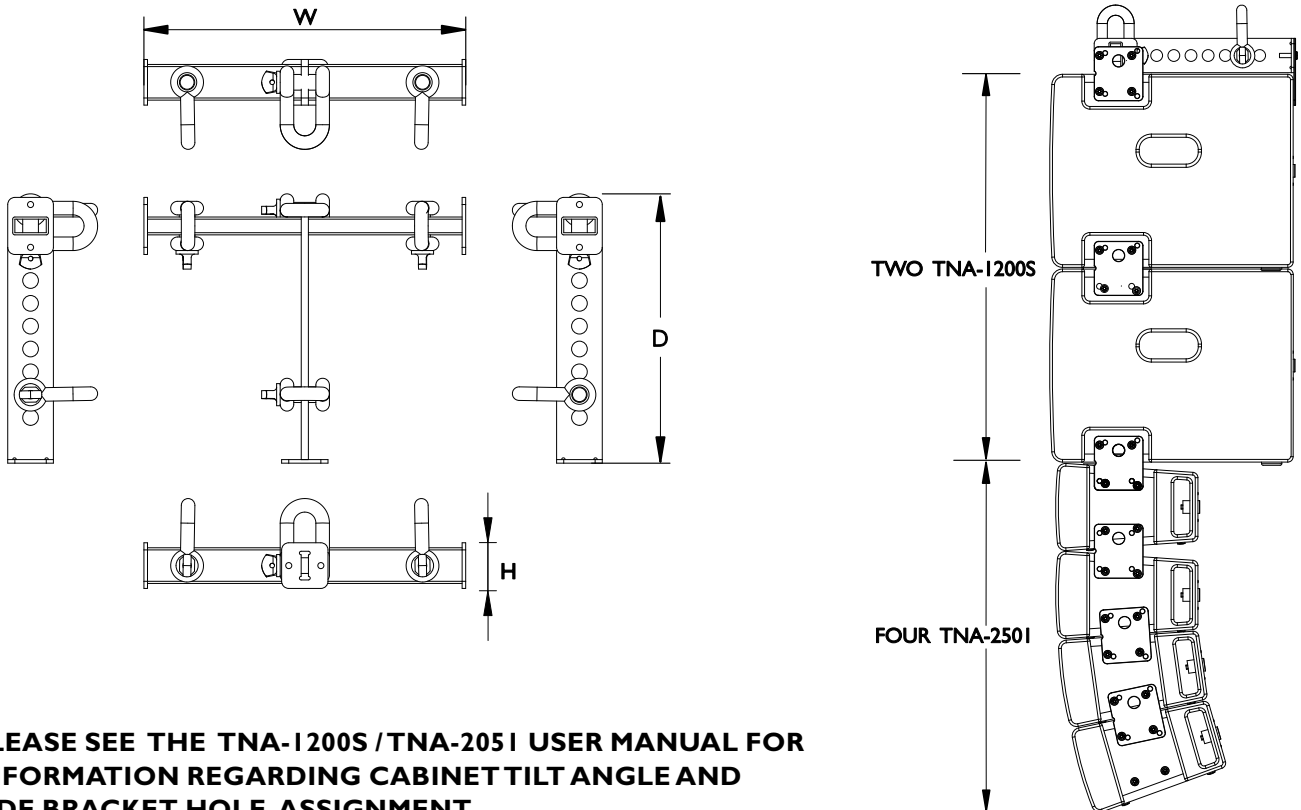
It is the installers responsibility to ensure the point of fixing is structurally adequate to support the weight of the cabinets.

The rigging or suspended mounting of these speakers can expose members of the public to serious health risks or even death.

Under no circumstances attempt to rig, suspend or otherwise mount this system unless you are fully qualified and certified to do so by relevant local, state and national authorities. All relevant safety regulations must be followed. If you are not properly qualified or do not know of pertinent regulations, consult qualified personnel for advice and assistance.

For added safety, it is strongly recommended that the audio connections, mechanical fixing and mounting bracket are checked periodically.

TNA-BRK1 MAXIMUM SUPPORT LIMIT



PLEASE SEE THE TNA-1200S / TNA-2051 USER MANUAL FOR INFORMATION REGARDING CABINET TILT ANGLE AND SIDE BRACKET HOLE ASSIGNMENT.

SPECIFICATION

Model	TNA-BRK1
Suspension Type	The bracket allows you to fit upto three D-shackles (included)
Mounting Type	Five M8 mounting points hold the bracket securely to the cabinet
Unit dimensions (HWD)	64 x 451 x 340mm, 2.5" x 17.8" x 13.4"
Unit weight	5.6Kg, 12.3 lbs
Carton dimensions (HWD)	145 x 505 x 430mm, 5.7" x 19.9" x 16.9" , 0.031 M3
Packed weight	6.7Kg, 14.8 lbs

In the interest of continued development, HH reserves the right to amend product specification without prior notification.

