

S15

15" Passive Subwoofer

FEATURES

- 15" low-frequency driver.
- 134dB Max SPL (Peak).
- Frequency Response of 50Hz - 180Hz (± 3 dB).
- Maintains low distortion under high-power conditions.
- Hard wearing paint finish.

APPLICATIONS

- Concert halls
- Theatres
- Houses of Worship
- Clubs and bars
- Small to medium size music venues.
- Conference spaces



DESCRIPTION

The S15 passive subwoofer comprises a single 15" low frequency driver reinforced with a nano coating. The driver diaphragm has a better rigidity allowing the unit to maintain low distortion and continuous energy output under high-power conditions.

The S15 provides a maximum SPL of 134dB (Peak).

The 30KG cabinet features 4 side handles and provision for castors to improve portability. The S15 constructed of acoustically optimised plywood with extensive internal bracing, finished with hard wearing black paint and appointed with a hexagonal mesh black perforated steel grille with acoustic foam backing.

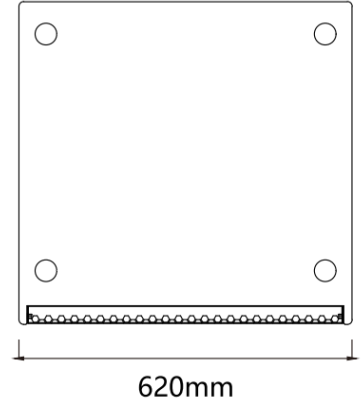
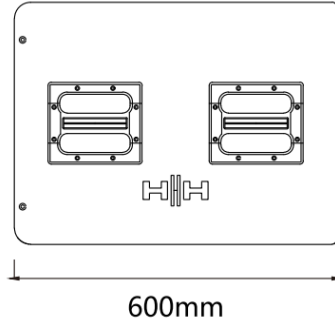
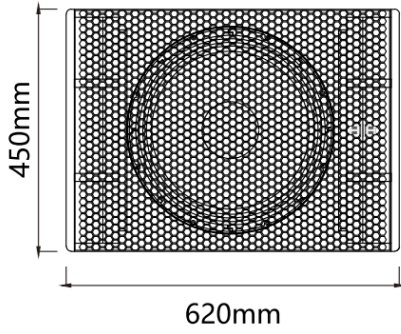


Specifications

Specifications	
System type	15" Passive Subwoofer
Frequency Response	50Hz-180Hz(±3dB)
	40Hz-400Hz(-10dB)
Power Rating	600W Continuous, 2400W Peak
Maximum SPL	128dB Continuous, 134dB Peak
Sensitivity	100dB(1W@1m)
Nominal Impedance	8Ω
Speaker	
LF Driver	1 x 15" low-frequency driver
Enclosure	
Cabinet	Plywood
Finish	Hard-wearing black paint
Grille	Hexagonal mesh perforated steel with acoustic foam backing.
Fittings	4 x Side handles. Provision for castors.
Connect	
Connectors	2 x speakON NL4
Pin Connections (Input)	1+/-
Pin Connections (Link)	1+/- and 2+/-
Dimensions (H/W/D)	450×620×600mm
Weight	30kg



DIMENSIONS



HH Electronics is a trading style of
Headstock Distribution Ltd,
Steelpark Road, Coombswood Business Park West,
Halesowen, West Midlands, B62 8HD, UK.
© 2024 HH Electronics Ltd
www.hhaudio.com

In the interest of continued development, HH reserves the right to amend
product specification without prior notification.

