

GSE

Single 18" Passive Sub Enclosure

FEATURES

- 1 x 18" low-frequency driver.
- 141dB Max SPL (Peak).
- Frequency Response of 33Hz - 300Hz (± 3 dB).
- Advanced carbon fibre cone to provide low-distortion output under high power conditions
- Robust wooden enclosure with extensive internal bracing finished with black polyurea paint.

APPLICATIONS

- Small scale touring and concerts.
- Smaller houses of worship with live music.
- Fixed installations in clubs, bars and hotels.

DESCRIPTION

The GSE is a passive subwoofer that comprises a single specially crafted 18" drive unit. The meticulously engineered high sensitivity LF drive unit features a carbon fibre cone to improve rigidity, thus suppressing distortion under high power conditions. Compared to paper cone drivers, the carbon fibre used in the GSE driver is lighter and has a much better transient response.

The 710mm wide enclosure offers provision for castors, a pole-mount socket, and 4 side handles to improve portability, making the GSE an ideal subwoofer for small scale touring applications as well as fixed installations.

The enclosure is composed of robust plywood with extensive internal bracing to eliminate vibrational modes. The GSE is finished with hard-wearing black polyurea paint and fitted with a hexagonal mesh steel grille with acoustic foam backing.

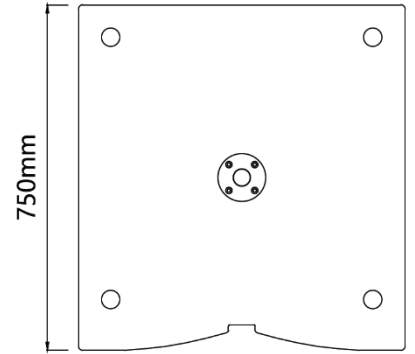
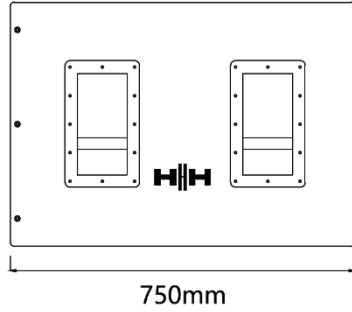
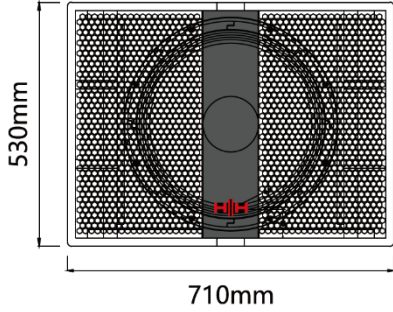


Specifications

Specifications	
System type	18" Passive Subwoofer
Frequency Response	33Hz - 300Hz (± 3 dB)
	28Hz - 300Hz (-10dB)
Power Rating	1000W Continuous, 4000W Peak
Maximum SPL	135dB Continuous, 141dB Peak
Sensitivity	105dB (1W@1m)
Nominal Impedance	8 Ω
Speaker	
LF Driver	1 x 18" low-frequency driver
Enclosure	
Cabinet	Acoustically optimised plywood cabinet with extensive internal bracing to eliminate vibrational modes.
Finish	Hard wearing black painted
Grille	Hexagonal mesh black perforated steel with acoustic foam backing.
Fittings	4 x Side handles, pole-mount socket, provision for castors
Connect	
Connectors	2 x Speakon NL4
Pin Connections (Input)	1+/-
Pin Connections (Link)	1+/- and 2+/-
Dimensions (H/W/D)	530 x 710 x 750mm
Weight	40kg



DIMENSIONS



HH Electronics is a trading style of
Headstock Distribution Ltd,
Steelpark Road, Coombswood Business Park West,
Halesowen, West Midlands, B62 8HD, UK.
© 2024 HH Electronics Ltd
www.haudio.com

In the interest of continued development, HH reserves the right to amend
product specification without prior notification.

