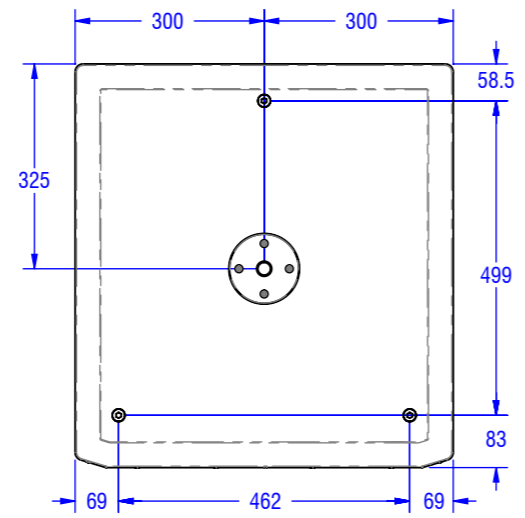
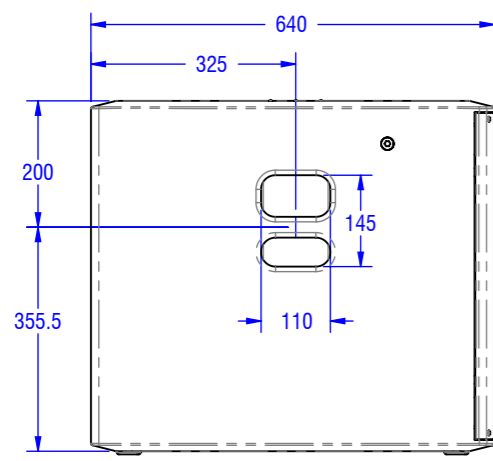
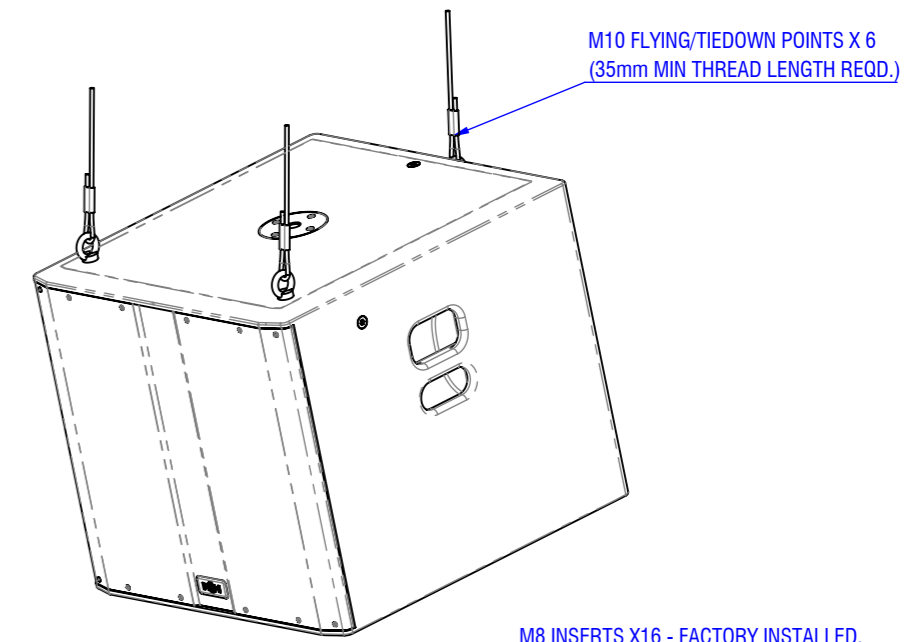


1 2 3 4 5 6 7 8

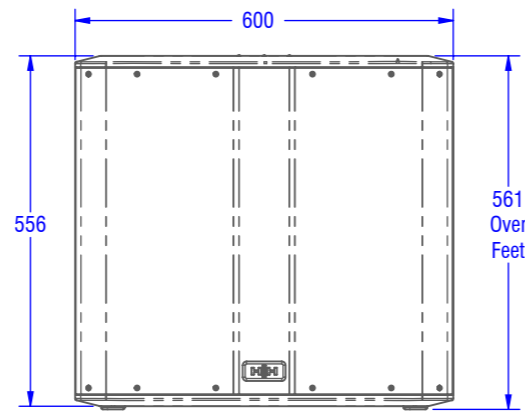
A
B
C
D
E
F



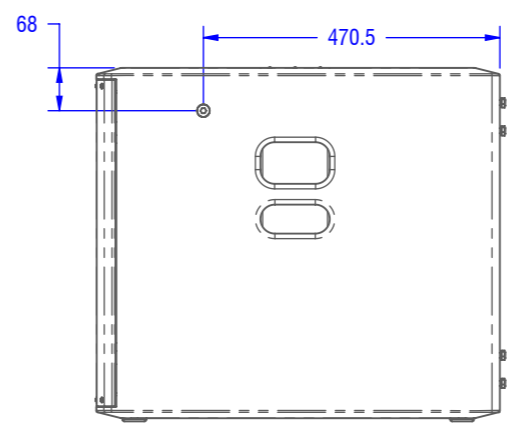
TOP



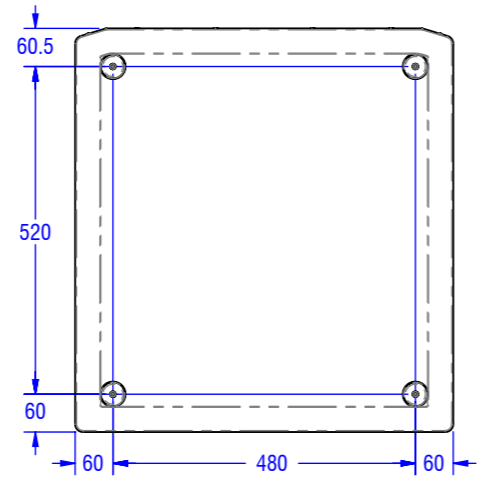
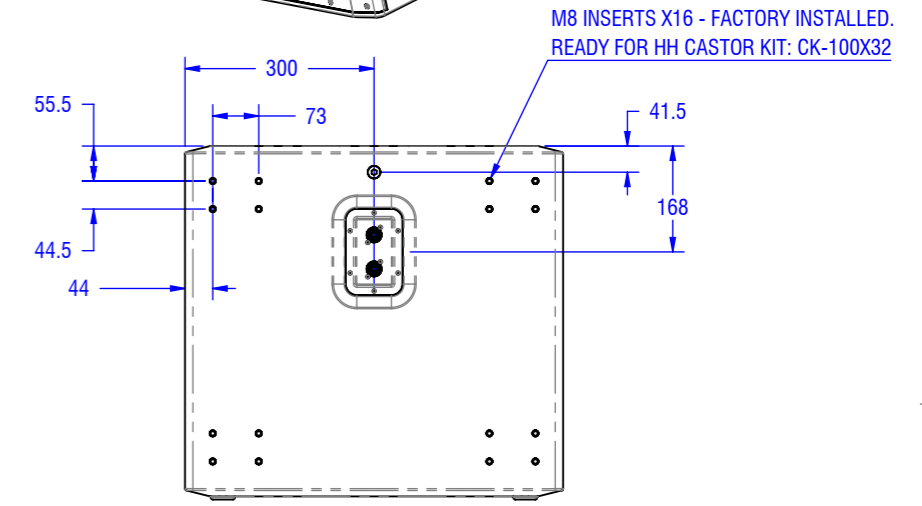
LEFT



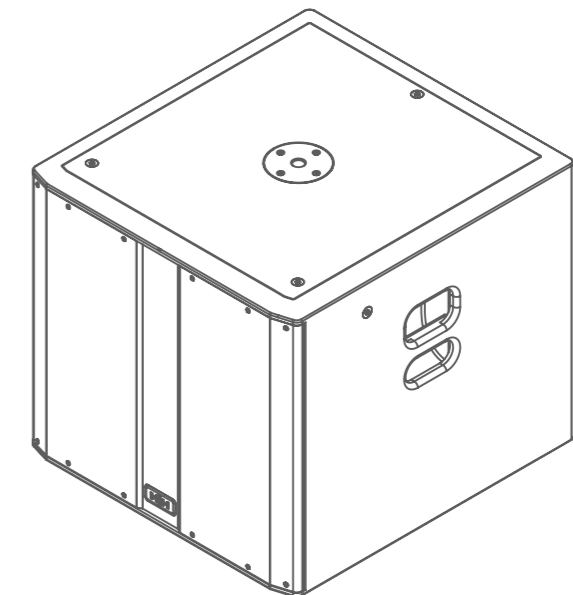
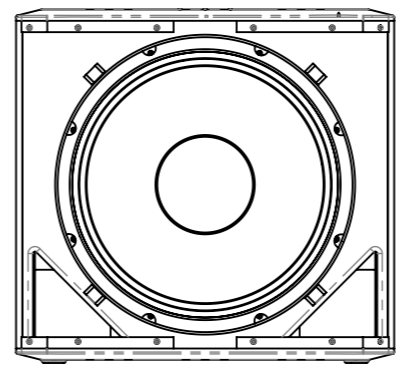
FRONT



RIGHT



BASE



DESCRIPTION:
TNP-1800S

STATE:
CUSTOMER INFORMATION

UNLESS OTHERWISE STATED:
ALL DIMENSIONS ARE IN MILLIMETERS (mm)
LINEAR TOLERANCE ± 0.5 ANGULAR TOLERANCE $\pm 1.0^\circ$

PROJECT TITLE:
PASSIVE SUBWOOFERS

DRAWINGS SUPPLIED FOR
REFERENCE ONLY

THIS DRAWING REMAINS THE PROPERTY OF HH ELECTRONICS LIMITED.
THIS DRAWING, HARD COPY OR DIGITAL, AND ANY ATTACHMENTS ARE
CONFIDENTIAL, LEGALLY PRIVILEGED AND PROTECTED BY COPYRIGHT.

DWG NO. 13112	REVISION: A.00
DATE: 05/03/2020	RELEASED BY: TB
SCALE: 1:12	SHEET: 1/1
SHEET SIZE: A3	

1 2 3 4 5 6 7 8